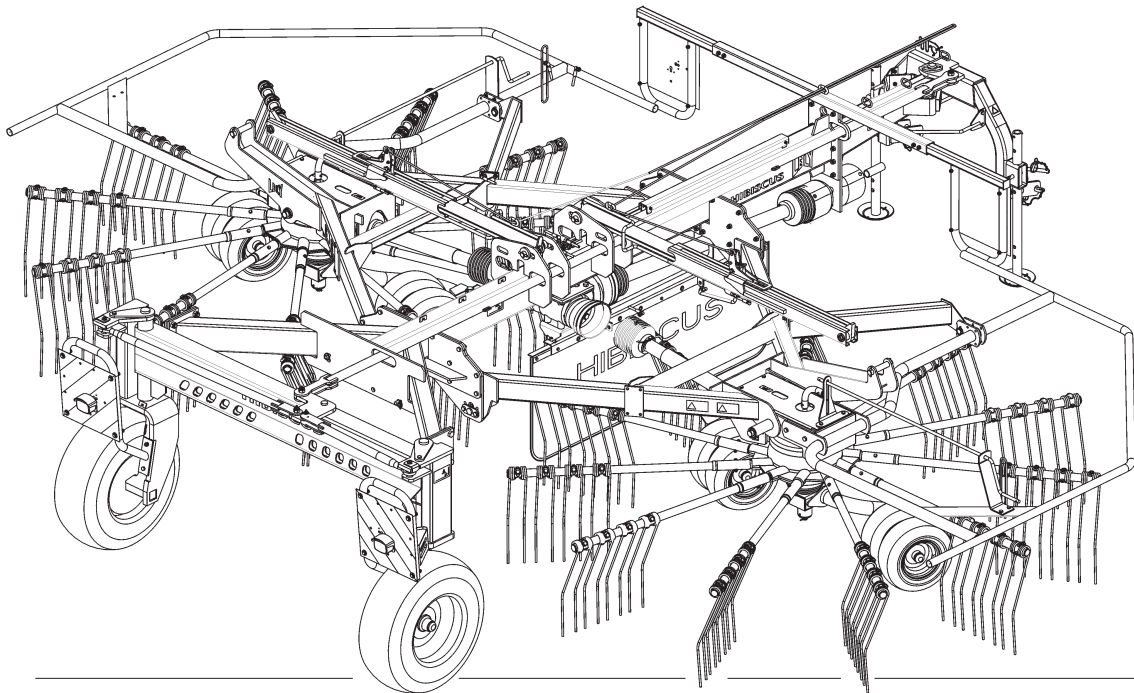


# LELY

HIGH - TECH  
IN AGRICULTURE

ONDERDELENLIJST  
PARTS LIST  
LISTE DE PIECES DE RECHANGE  
ERSATZTEILLISTE

## HIBISCUS 725 / 805



HIBISCUS 725 SA/CLASSIC

HIBISCUS	type number type number numéro de type Typennummer	vanaf serienummer as from serial number après numéro serie ab Seriennummer
725 CLASSIC	4.1051.0041.1	3000000
725 CLASSIC SA	4.1051.0090.1	3000000
725 MASTER	4.1051.0110.1	3000000
805 MASTER	4.1055.0030.1	3000000



## ONDERDELEN

Bij het bestellen van onderdelen is het belangrijk dat u het type- en serienummer van uw machine opgeeft. Gebruik alleen originele LELY-onderdelen.

## SPARE PARTS

When ordering spare parts, it is important that you indicate the type and serial number of your machine. Use only genuine LELY parts.

## PIECES DE RECHANGE

En commandant des pièces de rechange il importe que vous indiquiez les numéros de type et de série de votre machine.

N'utiliser que des pièces d'origines LELY.

## ERSATZTEILE

Beim Bestellen von Ersatzteilen ist es wichtig, daß Sie die Typ- und Seriennummer Ihrer Maschine angeben.

Nur Original-LELY-Ersatzteile verwenden.

Typ- und Seriennummer in nebenstehende Abbildung eintragen. Bei künftigen Bestellungen haben Sie die Nummer dann griffbereit.

Vul het type- en serienummer hieronder in.

Bij toekomstige onderdelenbestellingen heeft u de nummers dan bij de hand.

Complete the box below with the type and serial number.

This is an easy reference with a view to future spare parts ordering.

Veillez noter, ci-dessous, les numéros de type et de serie.

Ceci est important pour toutes commandes de pièces de rechange.

<b>LELY</b>	LELY INDUSTRIES NV		<b>CE</b>
	3147 PA MAASSLUIS THE NETHERLANDS		
		kg	
Type			
Ser.Nr.			

Verklaring van de in de onderdelenlijst gebruikte tekens.

Explanation of signs used in the parts list.

Explication des signes qui figurent dans la liste des pièces.

Erklärung der in der Ersatzteilliste verwendeten Zeichen.

[R] = RECHTSE UITVOERING  
RH VERSION

[L] = LINKSE UITVOERING  
LH VERSION

Onder rechtse of linkse uitvoering wordt de plaats van het onderdeel verstaan, gezien van de achterzijde van de machine.

By RH or LH version the position of the part is meant, seen from the rear of the machine

[RD] = RECHTSOM DRAAIENDE UITVOERING  
RH ROTATING VERSION

[LD] = LINKSOM DRAAIENDE UITVOERING  
LH ROTATING VERSION

Onder rechtsom of linksom draaiende uitvoering wordt de draairichting van het onderdeel verstaan, gezien van de bovenzijde van de machine.

By RH or LH rotating version the sense of rotating of the part is meant, seen from the top of the machine.

[x] = ONDERDEEL WORDT NIET GETOOND  
PART IS NOT SHOWN

Bijvoorbeeld linkse uitvoering overeenkomstig de wel getekende rechtse uitvoering.

E.g. : LH version is similar to the RH version, which is actually shown.

[#] = NIET LOS LEVERBAAR  
NOT AVAILABLE SEPARATELY

~ = AANTAL (INDIEN NODIG) AFHANKELIJK VAN INBOUWMAAT  
QUANTITY (IF APPLICABLE) DEPENDING UPON ASSEMBLY

[—] = SLUITRING

[—/—] = VEERRING

[###] = TANDVEERRING

[>|<] = OLIEKEERRING

[T+T] = TANDWIELSET

[D+D] = VULRINGSET

[A+A] = SET AFDICHTINGSRINGEN

WASHER

SPRING WASHER

SHAKE-PROOF WASHER

OIL SEAL

PAIR OF GEARS

SHIM SET

SET OF SEALING RINGS

VERSION DROITE  
RECHTE AUSFÜHRUNG

VERSION GAUCHE  
LINKE AUSFÜHRUNG

Par version droite ou gauche on entend la position de la pièce, vue de l'arrière de la machine.

Die Verweisungen "rechte Ausführung" oder "linke Ausführung" geben die Position des Teils, von der Hinterseite der Maschine aus gesehen, an.

VERSION ROTATION A DROITE  
RECHTSUMDREHENDE AUSFÜHRUNG

VERSION ROTATION A GAUCHE  
LINKSUMDREHENDE AUSFÜHRUNG

Version rotation à droit: ceci correspond au sens de rotation de la pièce, vue du dessus la machine.

Mit diesen Verweisungen wird die Drehrichtung des Teils von der Oberseite der Maschine aus gesehen, angegeben.

PIECE N'EST PAS MONTREE  
TEIL WIRD NICHT GEZEIGT

Exemple : la version gauche est représentée. La version droite correspond à la version gauche, mais n'est pas représentée.

Beispiel : die linke Ausführung entspricht der effektiv gezeigten Rechten.

VENDU EN KIT UNIQUEMENT  
NICHT SEPARAT LIEFERBAR

QUANTITE (SI NÉCESSAIRE) EN FONCTION DU MONTAGE  
ANZAHL VOM EINBAUMASS ABHÄNGIG (WENN ERFORDERLICH)

RONDELLE PLATE

RONDELLE GROWER

RONDELLE EVENTAIL

ETANCHEITE

JEU D'ENGRENAGES

JEU D'ÉPAISSEURS

JEU D'ANNEAUX D'ETANCHEITE

UNTERLEGSCHIBE

FEDERRING

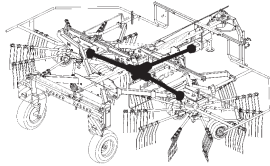
RÄNDELFEEDRING

ÖLDICHTUNGSRING

ZAHNRÄDERSATZ

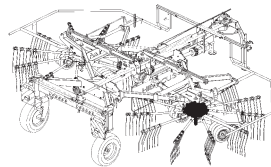
PASSSCHEIBENSATZ

DICHTUNGSRINGENSATZ



Centrale aandrijving  
Central drive  
Entraînement central  
Zentralantrieb

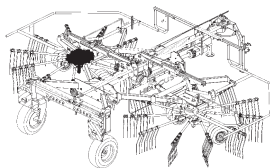
01



Aandrijfpot  
Gearbox  
Boîtier  
Getriebe

[R]  
[RH]  
[D]  
[R]

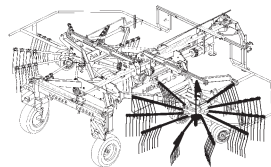
02-03



Aandrijfpot  
Gearbox  
Boîtier  
Getriebe

[L]  
[LH]  
[G]  
[L]

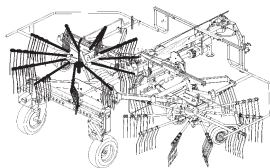
04-05



Tandbevestiging  
Tine fixation  
Fixation des dents  
Zinkenbefestigung

[R]  
[RH]  
[D]  
[R]

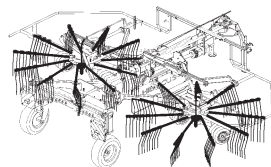
06-07



Tandbevestiging  
Tine fixation  
Fixation des dents  
Zinkenbefestigung

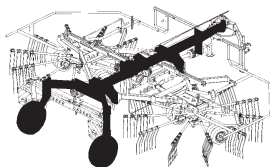
[L]  
[LH]  
[G]  
[L]

08-09



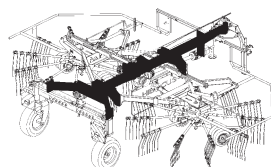
Smering curvebaan  
Cam track lubrication  
Lubrification du chemin de comes  
Kurvenbahnschierung

10



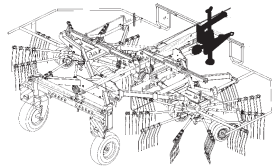
Trekboom + wielstel  
Drawbar + wheel assembly  
Timon + ensemble de roues  
Zugdeichsel + Fahrgestell

11



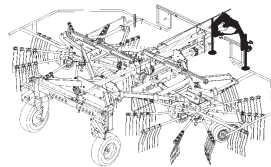
Trekboom  
Drawbar  
Timon  
Zugdeichsel

12



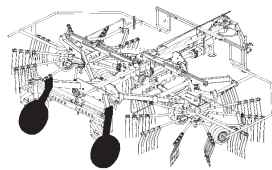
Trekboomkop  
Drawbarhead  
Tête de timon  
Deichselkopf

13



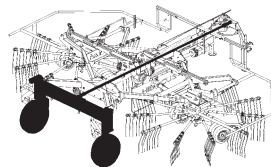
Driepuntsbok  
Headstock  
Tête d'attelage  
Dreipunkturm

14



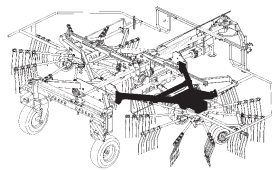
Wielstel  
Wheel assembly  
Ensemble de roues  
Fahrgestell

15



Stuurinrichting  
Steering device  
Système directionnel  
Lenkvorrichtung

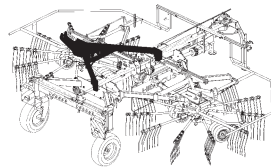
16



Freem  
Frame  
Châssis  
Rahmen

[R]  
[RH]  
[D]  
[R]

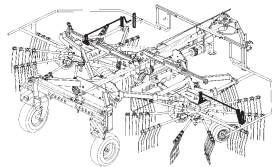
17



Freem  
Frame  
Châssis  
Rahmen

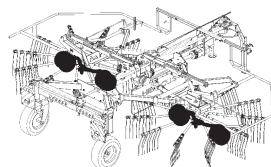
[L]  
[LH]  
[G]  
[L]

18



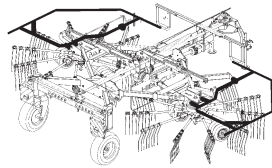
Wielverstelling  
Wheel adjustment  
Radverstellung  
Réglage des roues

19-20



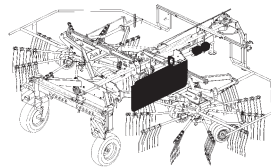
Loopwielen  
Support wheels  
Roues de support  
Stützräder

21-22



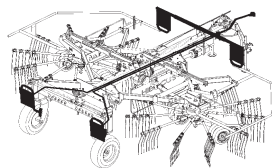
Beschermbeugels  
Protection brackets  
Arceaux protecteur  
Schutzbügel

23-24



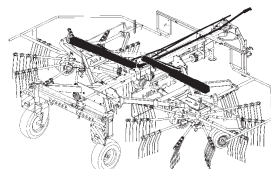
Wiersdoek + verbindingsas  
Swath cover + connection shaft  
Schwadtuch + Verbindungswelle  
Bâche à andain + arbre de liaison

25



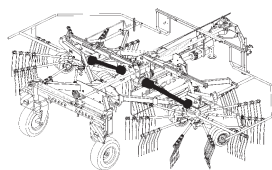
Beveiligingsborden + verlichting  
Safety signs + lighting  
Panneaux de signalisation + éclairage  
Warntafeln + Beleuchtung

26



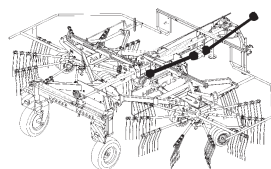
Hydraulische cilinder+Hydrauliek  
Hydraulic ram+Hydraulics  
Vérin hydraulique+Hydraulique  
Hydraulikzylinder+Hydraulik

27-28



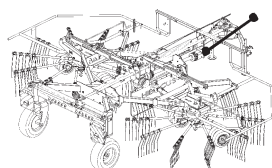
Koppelingsas (rotoren)  
PTO shaft (rotors)  
Arbre de transmission (rotors)  
Gelenkwelle (Rotoren)

29



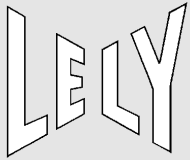
Koppelingsas (midden-trekkerzijde)  
PTO shaft (centre-tractor side)  
Arbre de transmission (centre-côté tracteur)  
Gelenkwelle (Mitte-Schlepperseite)

30

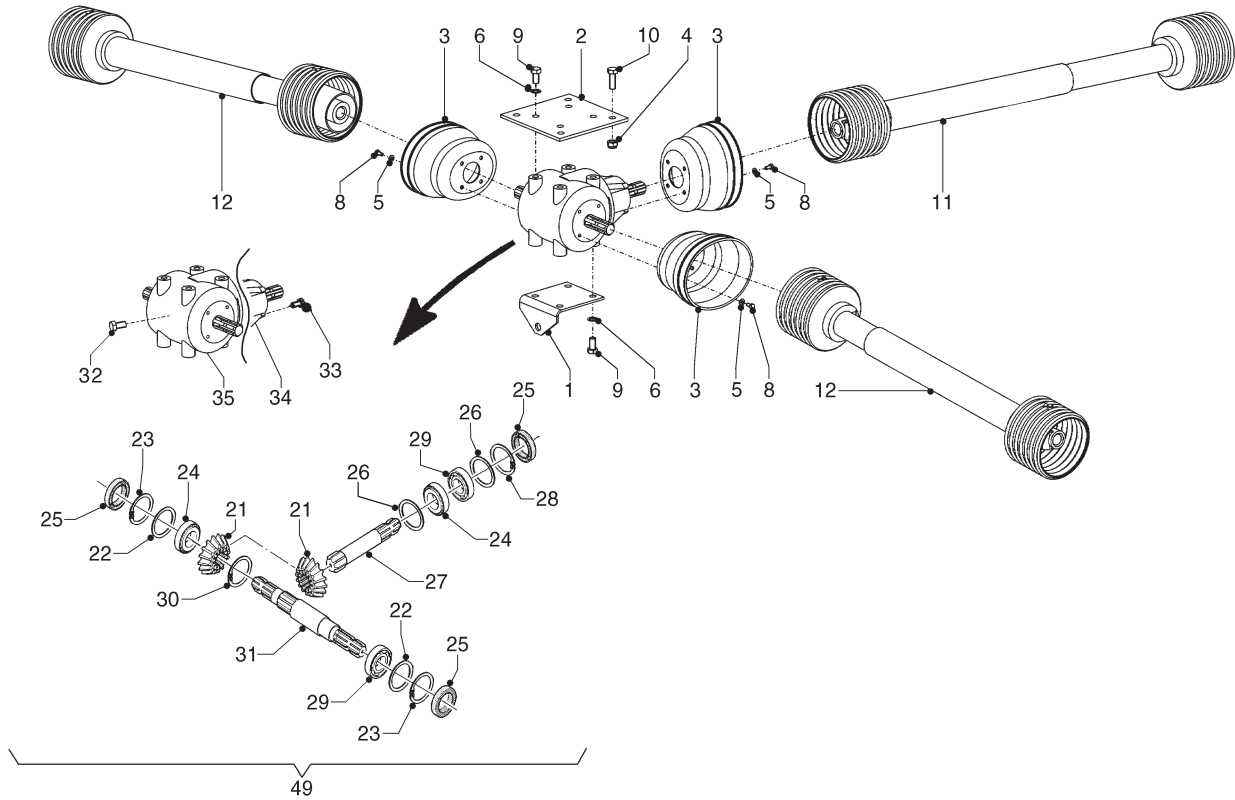
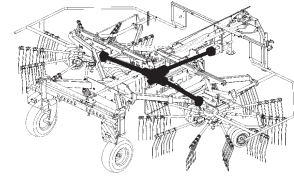


Koppelingsas (trekkerzijde)  
PTO shaft (tractor side)  
Arbre de transmission (côté tracteur)  
Gelenkwelle (Schlepperseite)

31-32



HIBISCUS	type nummer type number número de type Typnummer	vanaf serienummer as from serial number après numéro de serie ab Seriennummer
725 CLASSIC	4.1051.0041.1	3000000
725 CLASSIC SA	4.1051.0090.1	3000000
725 MASTER	4.1051.0110.1	3000000
805 MASTER	4.1055.0030.1	3000000



B349-01-02

REF.	ONDERDEELNR. PART NUMBER REFERENCE TEILNUMMER	AANTAL QUANTITY QUANTITE ANZAHL
------	--	--

1	4.1051.0340.0	1
2	4.1051.0348.0	1
3	4.1220.1990.0	3
A	4.1241.1995.0	3 [x]
4	9.1030.0014*5	4 M16 DIN 985-8
5	9.1048.0004.5	12 A8,4 DIN 125
6	9.1051.0004.2	8 A16,5 DIN 6798
8	9.1113.0013*5	12 M8x16 DIN 933-8.8
9	9.1113.0076*5	8 M16x30 DIN 933-8.8
10	9.1113.0111*5	4 M16x45 DIN 933-8.8
11	9.1154.0263.4	1 W2300-SC15SW-1010-21 = REF. 1 Pag. 34 HIBISCUS 725 CLASSIC
11	9.1154.0266.0	1 W2300-SC15SW-PROF1-1950 = REF. 1 Pag. 34 HIBISCUS 725 CLASSIC SA HIBISCUS 725 MASTER HIBISCUS 805 MASTER
12	9.1154.0246.1	2 W2300-SC15SW-910-K33 = REF. 1 Pag. 33 HIBISCUS 725 MASTER
12	9.1154.0260.1	2 W2300-SC15SW-1060-K33 = REF. 1 Pag. 33 HIBISCUS 805 MASTER

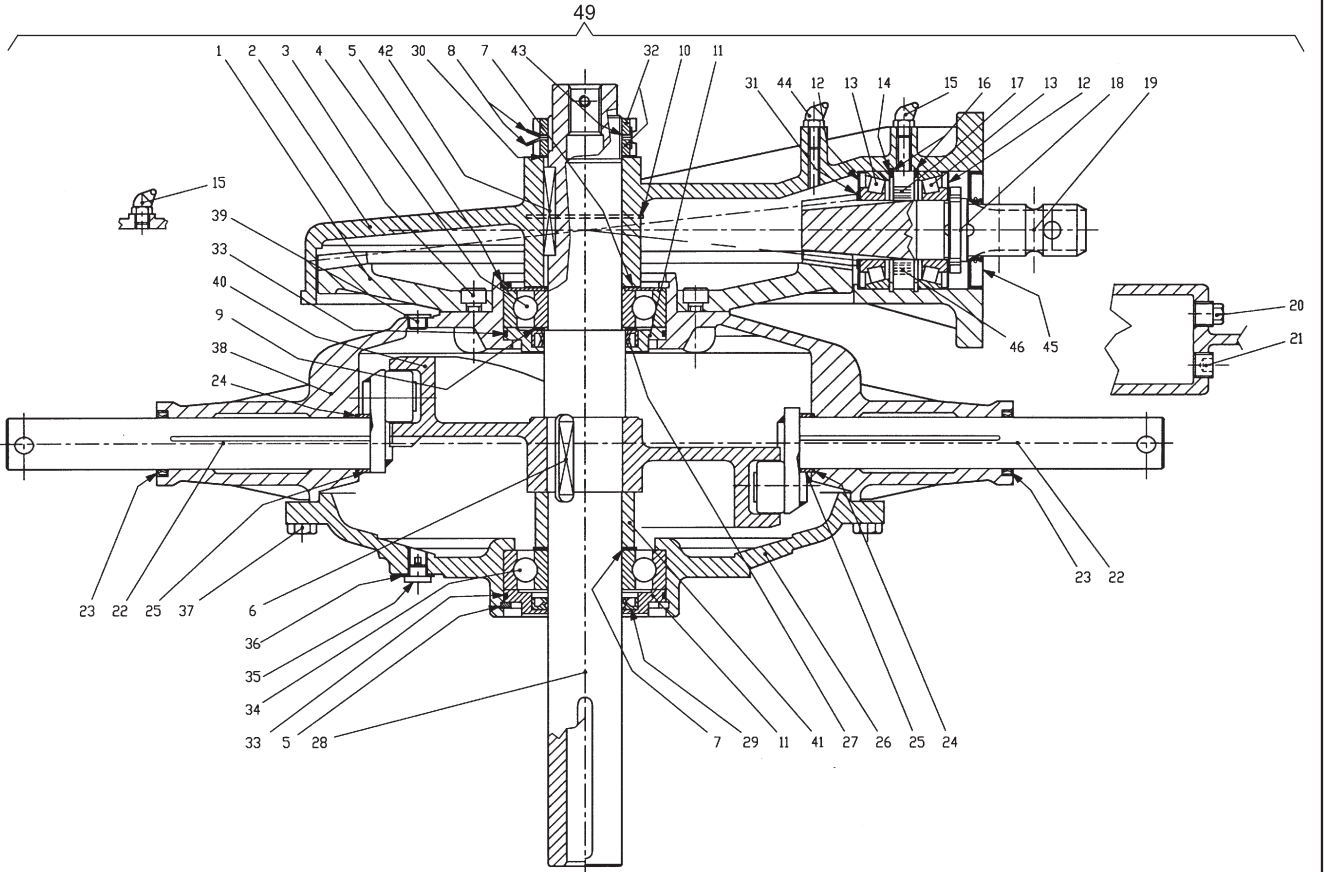
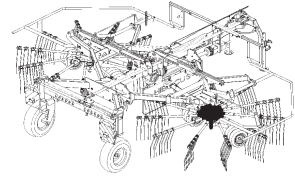
REF.	ONDERDEELNR. PART NUMBER REFERENCE TEILNUMMER	AANTAL QUANTITY QUANTITE ANZAHL
------	--	--

12	9.1154.0265.6	2 W2200-SC15SW-910-K33B = REF. 1 Pag. 33 HIBISCUS 725 CLASSIC HIBISCUS 725 CLASSIC SA
21	0.132.5002.00	1+1 Z18 M6.15
22	0.110.75.00	2 Ø79,7
23	9.1120.0011.3	2 80x2,5 DIN 472
24	9.1113.0029*0	2 M10x25 DIN 933-8.8
25	9.1042.0082.5	3 40x80x10
26	0.244.7500.00	2 Ø51,5
27	0.278.2000.00	1 1"3/8 Z6
28	8.5.1.00029	1 40 UNI 7435
29	9.1001.0027.5	2 6208
30	8.5.1.00260	1 46 UNI 7435
31	0.278.3002.00	1 1"3/8 Z6
32	9.1131.0005.0	3 3/8"
33	9.1113.0029*0	3 M10x25 DIN 933-8.8
34	0.278.1300.00	1
35	0.278.0300.00	1
49	9.1083.0014.1 9.1171.0042.4	1 (1,7L) = REF. 21-35 1L GX85W-140





HIBISCUS	type number type number numéro de type Typnummer	vanaf serienummer as from serial number après numéro de serie ab Seriennummer
725 CLASSIC 725 CLASSIC SA	4.1051.0041.1 4.1051.0090.1	3000000 3000000



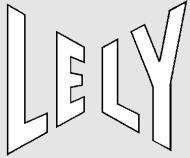
B358-05-00

REF.	ONDERDEELNR. PART NUMBER REFERENCE TEILNUMMER	AANTAL QUANTITY QUANTITE ANZAHL	
------	--	--	--

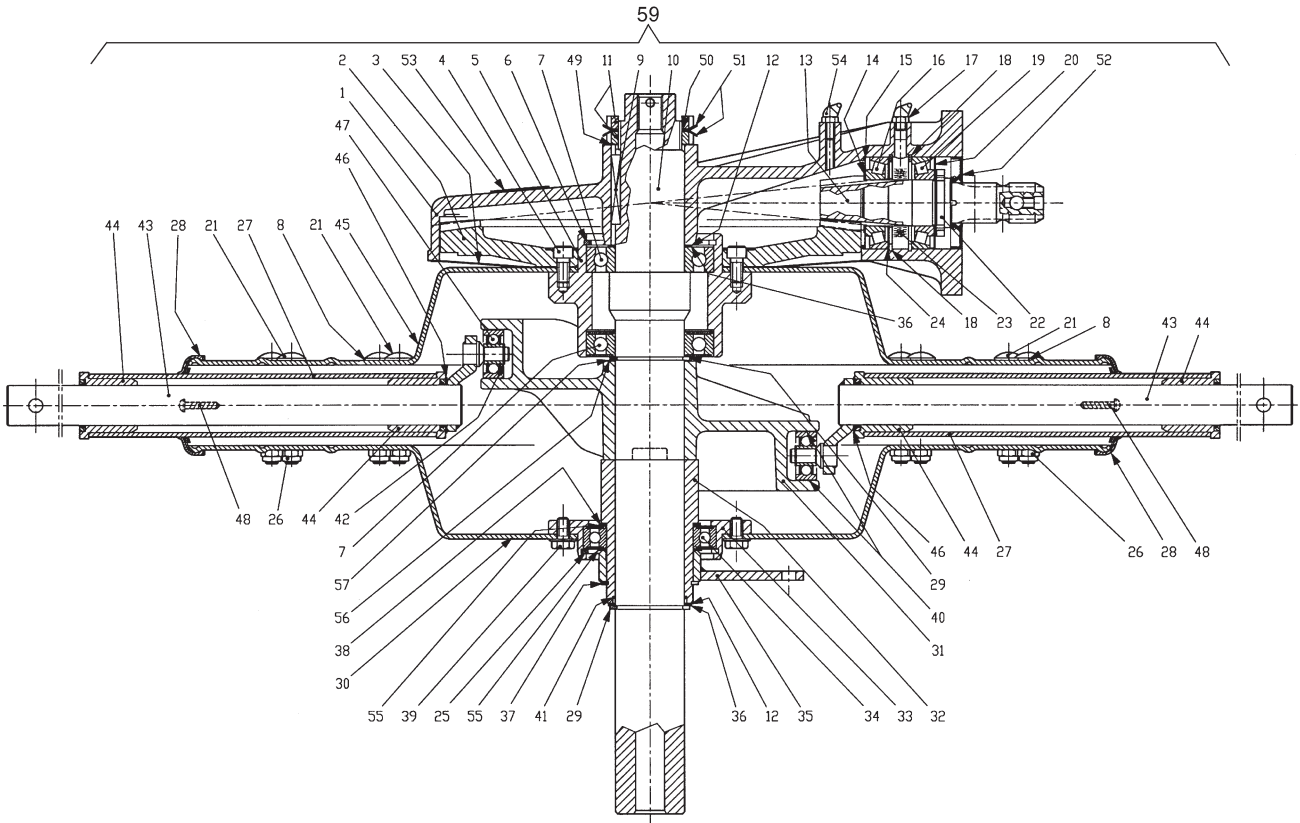
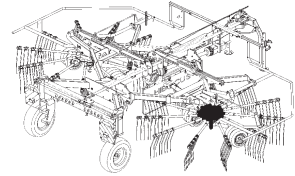
1	0.792.6201.00	1	Z97 M3,75
2	0.792.1719.00	1	
3	0.792.7003.00	8	M10x22 8.8
4	9.1001.0138.4	1	6310 Z
5	9.1120.0016.1	2	110x4 DIN 472
6	9.1071.0038.2	1	B10x8x50 DIN 6885
7	0.712.7500.00	2	70,3
8	8.3.8.00336	2	50x74x1,25C40BON
9	0.712.7525.00	1	50,3x2,5
10	0.703.7115.00	1	
11	0.792.1301.00	2	
12	8.30.00394	2	30208 AV
13	9.1002.0016.0	2	30208
14	0.267.7500.00	1	79,9
15	9.1068.0012.0	2	AM10x1
16	9.1120.0011.3	2	80x2,5 DIN 472
17	[#]	(0,15)	BIOMULTIS SEP2 (18Kg= 9.1171.0077.4)
18	0.278.7103.00	1	M40x1,5
19	0.792.5201.00	1	Z10 M3,75
20	8.6.5.00203	1	1/2"
	9.1171.0042.4	(5,58L)	1L= GX85W-140
21	8.6.6.00088	1	1/2"
22	2.792.7151.00	11	
23	8.7.3.01239	11	35x45x7

REF.	ONDERDEELNR. PART NUMBER REFERENCE TEILNUMMER	AANTAL QUANTITY QUANTITE ANZAHL	
------	--	--	--

24	0.792.7510.00	11	35,2x43,8x1
25	0.789.7144.00	11	
26	0.792.1715.00	1	
27	8.7.1.00783	1	55x72x10
28	0.792.3748.00	1	
29	8.7.1.01097	1	50x72x8
30	0.177.7505.00	1	2x57,5x0,5
31	0.244.7510.00	1	40,3x1,0
32	8.2.5.00176	2	M50x1,5 H11
33	8.7.6.00974	2	101,27x2,62
34	9.1001.0138.4	1	6310Z
35	8.6.8.01931	1	3/8"
36	9.1137.0410.0	1	17,28x23,8x2,3
37	9.1113.0120*0	11	M10x30 DIN 933-8.8
38	0.792.0300.00	1	
39	8.6.6.01266	1	3/8"
40	0.792.0308.00	1	
41	0.792.7102.00	1	
42	8.4.1.02074	1	B 10x8x60
43	0.712.7505.00	1	50,3x0,5
44	9.1068.0007*2	1	AM8x1,25
45	8.7.3.00081	1	35x80x10
49	9.1083.0040.6	1	[R] = REF. 1-45



HIBISCUS	type number type number numéro de type Typnummer	vanaf serienummer as from serial number après numéro de serie ab Seriennummer
725 MASTER 805 MASTER	4.1051.0110.1 4.1055.0030.1	3000000 3000000



B358-06-00

REF.	ONDERDEELNR. PART NUMBER REFERENCE TEILNUMMER	AANTAL QUANTITY QUANTITE ANZAHL
------	--	--

1	0.795.1702.00	1
2	0.792.6201.00	1
3	0.795.7006.00	1
4	0.792.7003.00	8
5	0.795.7018.00	1
6	9.1120.0016.1	1
7	8.0.1.02278	2
8	9.1048.0012*6	33
9	8.4.1.02074	1
10	0.795.3105.00	1
11	8.2.5.00116	2
12	0.248.7500.00	2
13	0.792.5201.00	1
14	0.244.7510.00	1
15	0.795.7117.00	1
16	9.1002.0016.0	1
17	9.1068.0012.0	2
18	9.1120.0011.3	2
19	9.1002.0016.0	1
20	8.3.0.00394	1
21	9.1058.0044*0	33
22	0.278.7103.00	1
23	[#]	(0,14)
24	0.267.7500.00	1
25	8.5.2.00613	1
26	9.1030.0013*4	33
27	2.795.7013.00	11
28	0.797.1302.00	11
29	8.5.1.01551	2

REF.	ONDERDEELNR. PART NUMBER REFERENCE TEILNUMMER	AANTAL QUANTITY QUANTITE ANZAHL
------	--	--

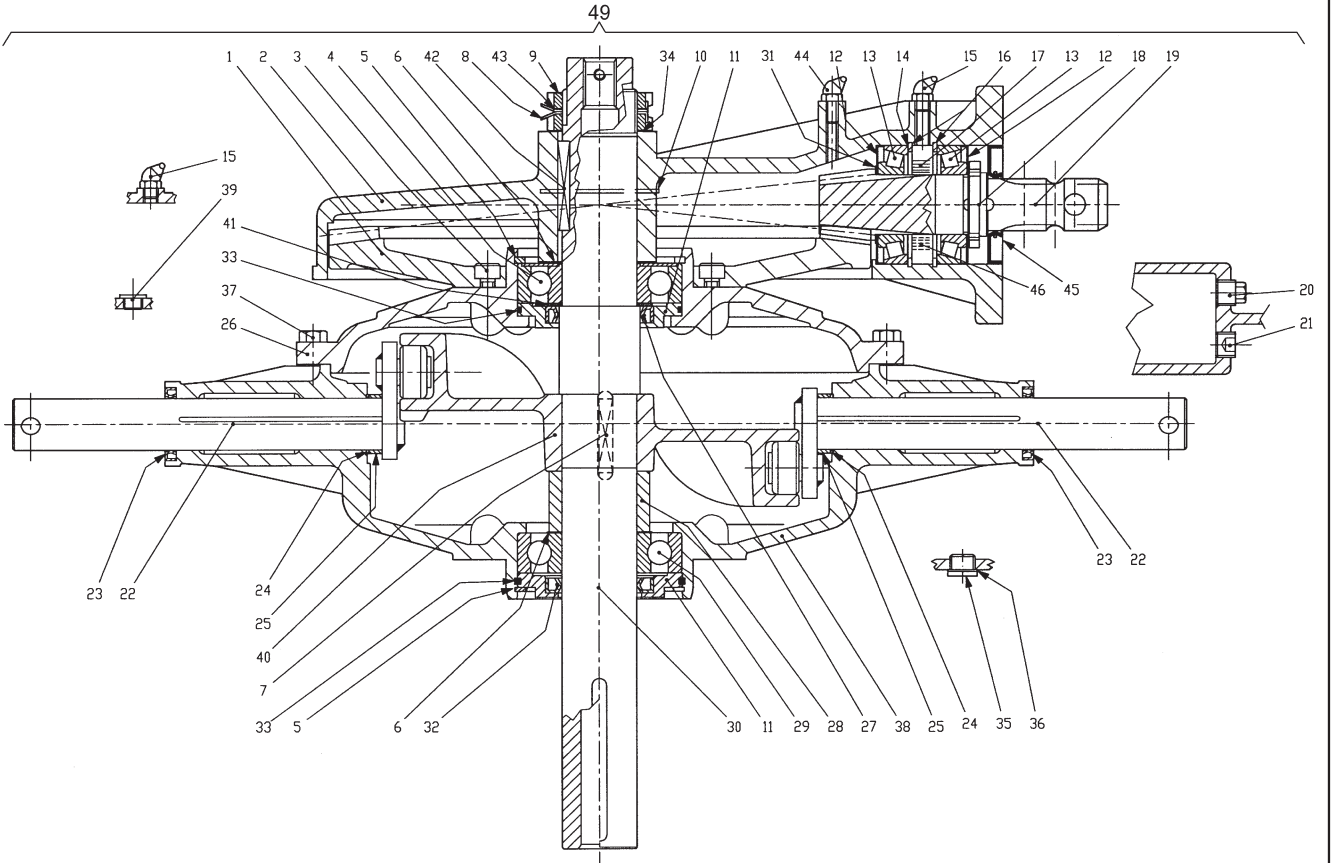
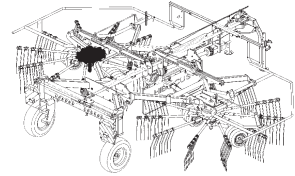
30	0.797.1300.00	1
31	0.795.0304.00	1
32	0.795.7024.00	1
33	0.795.7019.00	1
34	8.0.1.02511	1
35	2.795.7025.00	1
36	0.248.7510.00	1
37	8.5.1.01890	1
38	0.717.7520.00	1
39	0.420.7101.00	4
40	9.1171.0081.1	(0,1kg)
41	8.7.6.02514	1
42	8.5.1.02581	22
43	2.797.7101.00	11
44	2.795.7022.00	22
45	0.797.1301.00	1
46	0.259.7510.00	11
47	0.795.7011.00	11
48	8.1.6.02592	11
49	0.257.7505.00	1
50	0.113.7505.00	1
51	8.3.8.00117	2
52	8.7.3.00081	1
53	0.703.7115.00	1
54	9.1068.0007*2	1
55	0.717.7500.00	2
56	0.248.7535.00	1
57	0.248.7508.00	1
59	9.1083.0042.1	1

[R] = REF. 1-57





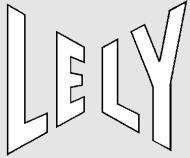
HIBISCUS	type nummer type number numéro de type Typnummer	vanaf serienummer as from serial number après numéro de série ab Seriennummer
725 CLASSIC 725 CLASSIC SA	4.1051.0041.1 4.1051.0090.1	3000000 3000000



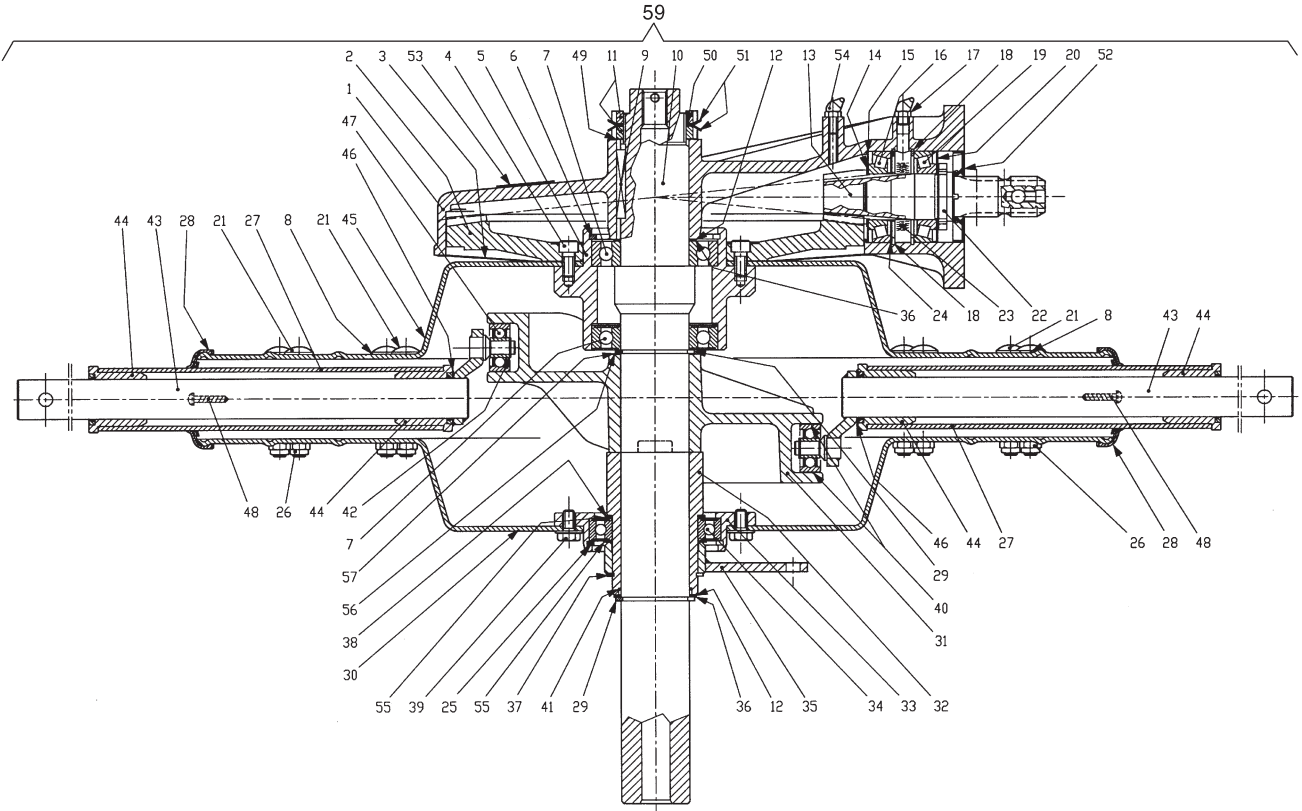
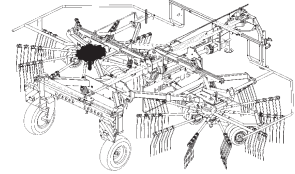
B358-07-00

REF.	ONDERDEELNR. PART NUMBER REFERENCE TEILNUMMER	AANTAL QUANTITY QUANTITE ANZAHL	
1	0.792.6201.00	1	Z97 M3,75
2	0.792.1719.00	1	
3	0.792.7003.00	8	M10x22 8.8
4	9.1001.0138.4	1	6310 Z
5	9.1120.0016.1	2	110x4 DIN 472
7	9.1071.0038.2	1	B10x8x50 DIN 6885
6	0.712.7500.00	2	70,3
8	8.3.8.00336	2	50x74x1,25C40BON
9	8.2.5.00176	2	M50x1,5 H11
10	0.703.7115.00	1	
11	0.792.1301.00	2	
12	8.30.00394	2	30208 AV
13	9.1002.0016.0	2	30208
14	0.267.7500.00	1	79,9
15	9.1068.0012.0	2	AM10x1
16	9.1120.0011.3	2	80x2,5 DIN 472
17	[#]	(0,15)	BIOMULTIS SEP2 (18Kg= 9.1171.0077.4)
18	0.278.7103.00	1	M40x1,5
19	0.792.5201.00	1	Z10 M3,75
20	8.6.5.00203	1	1/2"
	9.1171.0042.4	(5,58L)	1L= GX85W-140
21	8.6.6.00088	1	1/2"
22	2.792.7153.00	11	
23	8.7.3.01239	11	35x45x7

REF.	ONDERDEELNR. PART NUMBER REFERENCE TEILNUMMER	AANTAL QUANTITY QUANTITE ANZAHL	
24	0.792.7510.00	11	35,2x43,8x1
25	0.789.7144.00	11	
26	0.792.1700.00	1	
27	8.7.1.00783	1	55x72x10
28	0.792.7102.00	1	
29	9.1001.0115.2	1	6310
30	0.792.3748.00	1	
31	0.244.7510.00	1	40,3x1,0
32	8.7.1.01097	1	50x72x8
33	8.7.6.00974	2	101,27x2,62
34	0.177.7505.00	1	2x57,5x0,5
35	8.6.8.01931	1	3/8"
36	9.1137.0410.0	1	17,28x23,8x2,03
37	9.1113.0120*0	11	M10x30 DIN 933-8.8
38	0.792.0300.00	1	
39	8.6.6.01266	1	3/8"
40	0.792.0308.00	1	
41	0.712.7525.00	1	50,3x2,5
42	8.4.1.02074	1	B 10x8x60
43	0.712.7505.00	1	50,3x0,5
44	9.1068.0007*2	1	AM8x1,25
45	8.7.3.00081	1	35x80x10
49	9.1083.0039.5	1	[L] = REF. 1-45



HIBISCUS	type nummer type number número de type Typnummer	vanaf serienummer as from serial number après numéro de serie ab Seriennummer
725 MASTER	4.1051.0110.1	3000000
805 MASTER	4.1055.0030.1	3000000



B358-01-10

REF.	ONDERDEELNR. PART NUMBER REFERENCE TEILNUMMER	AANTAL QUANTITY QUANTITE ANZAHL
------	--	--

1	0.795.1702.00	1
2	0.792.6201.00	1
3	0.795.7006.00	1
4	0.792.7003.00	8
5	0.795.7018.00	1
6	9.1120.0016.1	1
7	8.0.1.02278	2
8	9.1048.0012*6	33
9	8.4.1.02074	1
10	0.795.3105.00	1
11	8.2.5.00116	2
12	0.248.7500.00	2
13	0.792.5201.00	1
14	0.244.7510.00	1
15	0.795.7117.00	1
16	9.1002.0016.0	1
17	9.1068.0012.0	2
18	9.1120.0011.3	2
19	9.1002.0016.0	1
20	8.3.0.00394	1
21	9.1058.0044*0	33
22	0.278.7103.00	1
23	[#]	0,14
24	0.267.7500.00	1
25	8.5.2.00613	1
26	9.1030.0013*4	33
27	2.795.7013.00	11
28	0.797.1302.00	11
29	8.5.1.01551	2
30	0.797.1301.00	1
31	0.795.0304.00	1
32	0.795.7024.00	1
33	0.795.7019.00	1
34	8.0.1.02511	1
35	2.797.7000.00	1
36	0.248.7510.00	1
37	8.5.1.01890	1
38	0.717.7520.00	1
39	0.420.7101.00	4
40	9.1171.0081.1	(0,1kg)
41	8.7.6.02514	1
42	8.5.1.02581	22
43	2.797.7101.00	11
44	2.795.7022.00	22
45	0.797.1300.00	1
46	0.259.7510.00	11
47	0.795.7011.00	11
48	8.1.6.02592	11
49	0.257.7505.00	1
50	0.113.7505.00	1
51	8.3.8.00117	2
52	8.7.3.00081	1
53	0.703.7115.00	1
54	9.1068.0007*2	1
55	0.717.7500.00	2
56	0.248.7535.00	1
57	0.248.7508.00	1
59	9.1083.0041.0	1

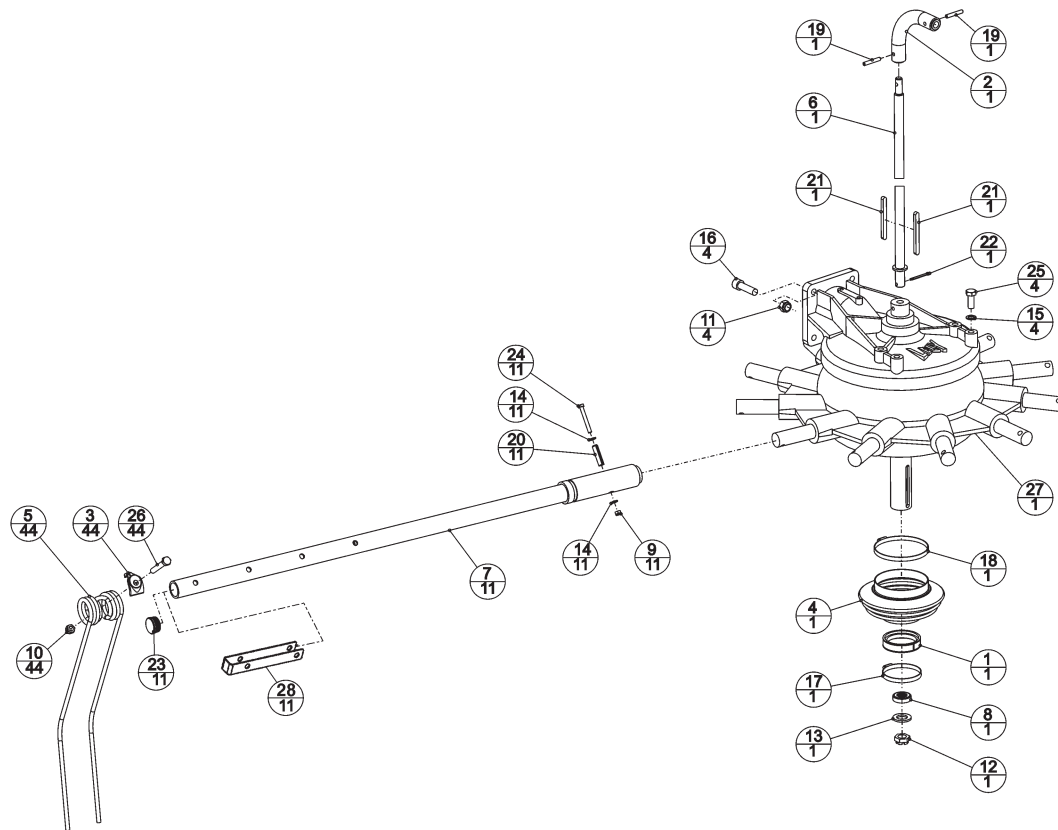
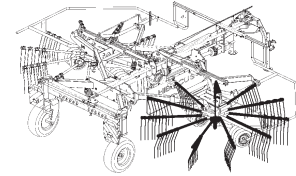
REF.	ONDERDEELNR. PART NUMBER REFERENCE TEILNUMMER	AANTAL QUANTITY QUANTITE ANZAHL
------	--	--

30	0.797.1301.00	1
31	0.795.0304.00	1
32	0.795.7024.00	1
33	0.795.7019.00	1
34	8.0.1.02511	1
35	2.797.7000.00	1
36	0.248.7510.00	1
37	8.5.1.01890	1
38	0.717.7520.00	1
39	0.420.7101.00	4
40	9.1171.0081.1	(0,1kg)
41	8.7.6.02514	1
42	8.5.1.02581	22
43	2.797.7101.00	11
44	2.795.7022.00	22
45	0.797.1300.00	1
46	0.259.7510.00	11
47	0.795.7011.00	11
48	8.1.6.02592	11
49	0.257.7505.00	1
50	0.113.7505.00	1
51	8.3.8.00117	2
52	8.7.3.00081	1
53	0.703.7115.00	1
54	9.1068.0007*2	1
55	0.717.7500.00	2
56	0.248.7535.00	1
57	0.248.7508.00	1
59	9.1083.0041.0	1

[L] = REF. 1-57



HIBISCUS	type number type number número de type Typnummer	vanaf serienummer as from serial number après numéro de serie ab Seriennummer
725 CLASSIC 725 SA/CLASSIC	4.1051.0041.1 4.1051.0090.1	3000000 3000000



B330-02-01

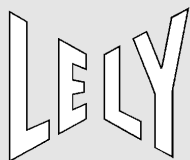
REF.	ONDERDEELNR. PART NUMBER REFERENCE TEILNUMMER	AANTAL QUANTITY QUANTITE ANZAHL
------	--	--

1	4.1042.1057.0	1
2	4.1042.1060.0	1
3	4.1051.0240.0	44
4	4.1051.0242.0	1
5	4.1051.0269.0	44
6	4.1051.0270.0	1
7	4.1051.0282.0	11
8	9.1006.0002.3	1
9	9.1030.0012*3	11
10	9.1030.0024*1	44
11	9.1030.0045*1	4
12	9.1031.0014.4	1
13	9.1048.0045.4	1
14	9.1048.0057.2	22
15	9.1051.0005.3	4
16	9.1057.0049.6	4
17	9.1066.0010*0	1
18	9.1066.0027.3	1
19	9.1070.0023.2	2
20	9.1070.0084.0	11
21	9.1071.0054.4	2
22	9.1072.0007.5	1
23	9.1108.0101.1	11
24	9.1113.0104*5	11
25	9.1113.0178*2	4

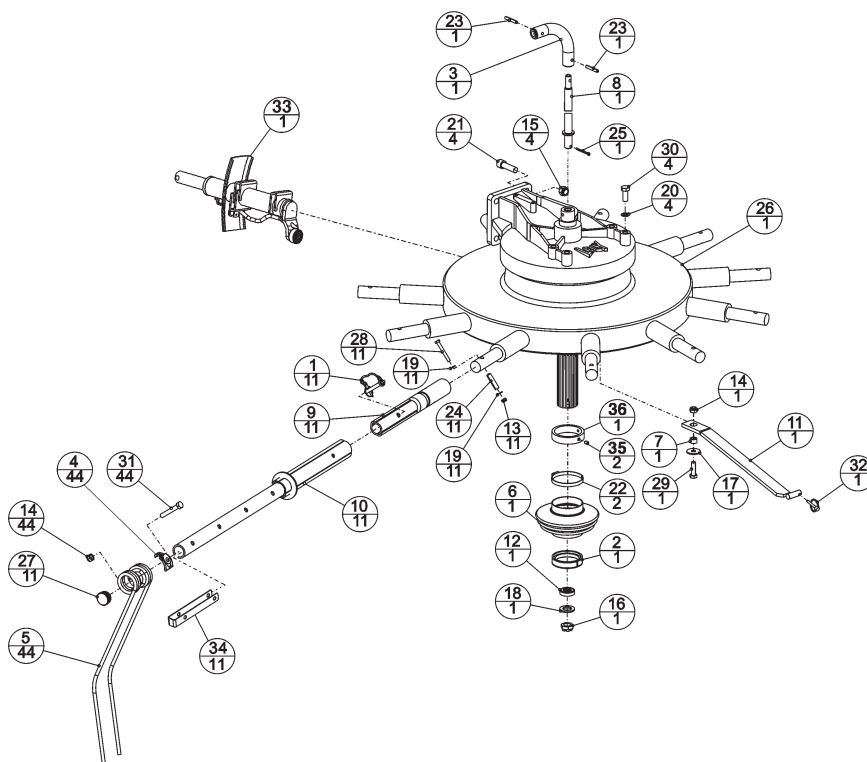
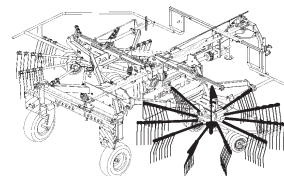
REF.	ONDERDEELNR. PART NUMBER REFERENCE TEILNUMMER	AANTAL QUANTITY QUANTITE ANZAHL
------	--	--

26	9.1113.0485.5	44
27	9.1083.0040.6	1
28	4.1051.1389.0	11

M12x70 DIN 931-10.9  
= REF. 49 Pag. 02



HIBISCUS	type nummer type number número de type Typnummer	vanaf serienummer as from serial number après numéro de serie ab Seriennummer
725 MASTER 805 MASTER	4.1051.0110.1 4.1055.0030.1	3000000 3000000



B330-04-02

REF.	ONDERDEELNR. PART NUMBER REFERENCE TEILNUMMER	AANTAL QUANTITY QUANTITE ANZAHL
------	--	--

1	4.1042.0550.0	11
2	4.1042.1057.0	1
3	4.1042.1060.0	1
4	4.1051.0240.0	44
5	4.1051.0269.0	44
6	4.1051.2047.0	1
7	4.1051.2419.0	1
8	4.1051.2420.0	1
9	4.1051.2481.0	11
10	4.1051.2491.0	11
	4.1055.0281.0	11
		HIBISCUS 725
		HIBISCUS 805[x]
11	4.1051.2640.0	1
	4.1055.0381.0	1
		HIBISCUS 725
		HIBISCUS 805[x]
12	9.1006.0002.3	1
13	9.1030.0012*3	11
14	9.1030.0024*1	45
15	9.1030.0045*1	4
16	9.1031.0014.4	1
17	9.1048.0041*0	1
18	9.1048.0045.4	1
19	9.1048.0057.2	22
20	9.1051.0005.3	4
21	9.1057.0049.6	4

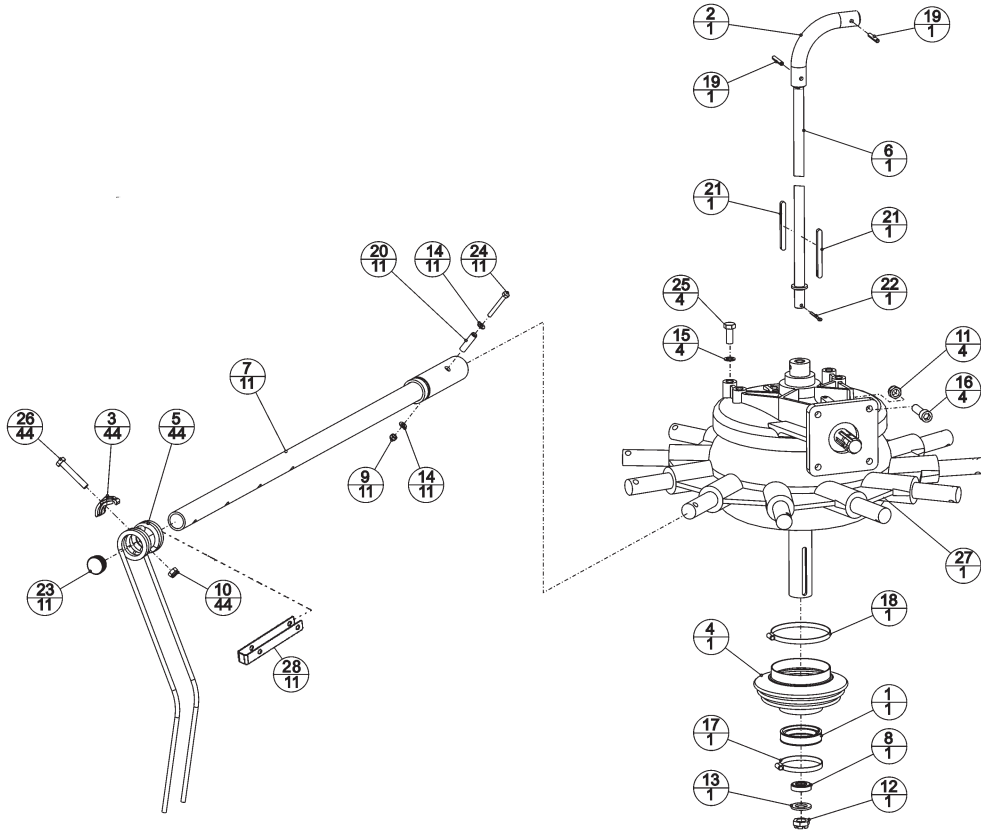
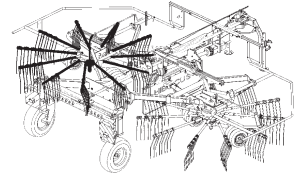
REF.	ONDERDEELNR. PART NUMBER REFERENCE TEILNUMMER	AANTAL QUANTITY QUANTITE ANZAHL
------	--	--

22	9.1066.0010*0	1
23	9.1070.0023.2	2
24	9.1070.0084.0	11
25	9.1072.0007.5	1
26	9.1083.0042.1	1
27	9.1108.0101.1	11
28	9.1113.0104*5	11
29	9.1113.0155*0	1
30	9.1113.0178*2	4
31	9.1113.0485.5	44
32	9.1123.0003*6	1
33	4.1051.2700.0	1
34	4.1051.1389.1	11
35	9.1063.0024.3	2
36	4.1051.2045.0	1

Ø70-Ø90  
Ø8x50 DIN 1481  
Ø13x50 DIN 1481  
5x45 DIN 94  
= REF. 59 Pag. 03  
Ø40  
M8x65 DIN 931-8.8  
M12x40 DIN 933-10.9  
M14x35 DIN 933-10.9  
M12x75 DIN 931-10.9  
Ø6  
= REF. 1-11 Pag. 10  
M8x8 DIN 914



HIBISCUS	type number type number número de type Typnummer	vanaf serienummer as from serial number après numéro de serie ab Seriennummer
725 CLASSIC 725 CLASSIC SA	4.1051.0041.1 4.1051.0090.1	3000000 3000000



B330-03-01

REF.	ONDERDEELNR. PART NUMBER REFERENCE TEILNUMMER	AANTAL QUANTITY QUANTITE ANZAHL
------	--	--

1	4.1042.1057.0	1
2	4.1042.1060.0	1
3	4.1051.0240.0	44
4	4.1051.0242.0	1
5	4.1051.0269.0	44
6	4.1051.0270.0	1
7	4.1051.0280.0	11
8	9.1006.0002.3	1
9	9.1030.0012*3	11
10	9.1030.0024*1	44
11	9.1030.0045*1	4
12	9.1031.0014.4	1
13	9.1048.0045.4	1
14	9.1048.0057.2	22
15	9.1051.0005.3	4
16	9.1057.0049.6	4
17	9.1066.0010*0	1
18	9.1066.0027.3	1
19	9.1070.0023.2	2
20	9.1070.0084.0	11
21	9.1071.0054.4	2
22	9.1072.0007.5	1
23	9.1108.0101.1	11
24	9.1113.0104*5	11
25	9.1113.0178*2	4

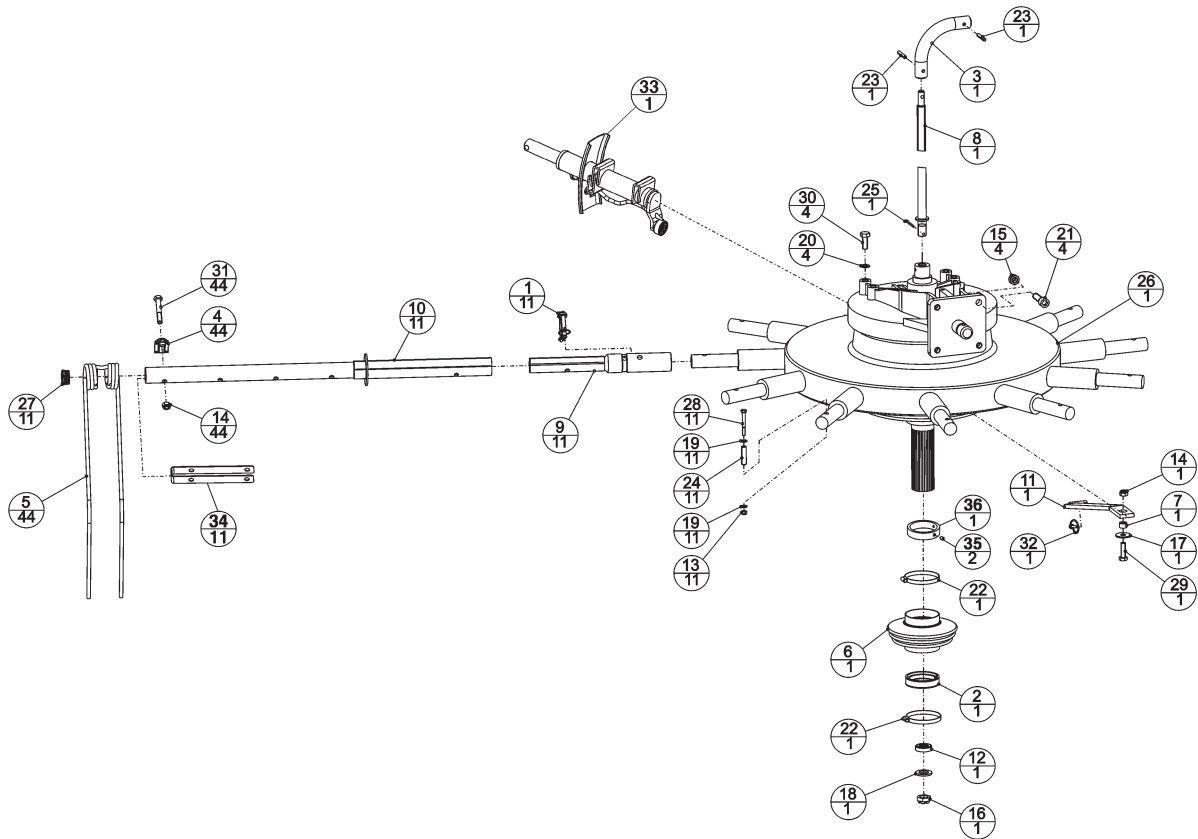
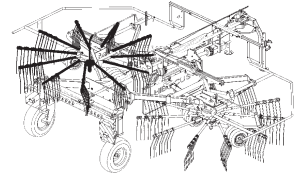
REF.	ONDERDEELNR. PART NUMBER REFERENCE TEILNUMMER	AANTAL QUANTITY QUANTITE ANZAHL
------	--	--

26	9.1113.0485.5	44
27	9.1083.0039.5	1
28	4.1051.1389.0	11

M12x75 DIN 931-10.9  
= REF. 49 Pag. 04



HIBISCUS	type nummer type number número de type Typnummer	vanaf serienummer as from serial number après numéro de serie ab Seriennummer
725 MASTER 805 MASTER	4.1051.0110.1 4.1055.0030.1	3000000 3000000



B330-05-02

REF.	ONDERDEELNR. PART NUMBER REFERENCE TEILNUMMER	AANTAL QUANTITY QUANTITE ANZAHL
------	--	--

1	4.1042.0550.0	11
2	4.1042.1057.0	1
3	4.1042.1060.0	1
4	4.1051.0240.0	44
5	4.1051.0269.0	44
6	4.1051.2047.0	1
7	4.1051.2419.0	1
8	4.1051.2420.0	1
9	4.1051.2481.0	11
10	4.1051.2491.0	11
	4.1055.0281.0	11
		HIBISCUS 725
		HIBISCUS 785[x]
11	4.1051.2630.0	1
	4.1055.0361.0	1
		HIBISCUS 725
		HIBISCUS 805[x]
12	9.1006.0002.3	1
13	9.1030.0012*3	11
14	9.1030.0024*1	45
15	9.1030.0045*1	4
16	9.1031.0014.4	1
17	9.1048.0041*0	1
18	9.1048.0045.4	1
19	9.1048.0057.2	22
20	9.1051.0005.3	4
21	9.1057.0049.6	4

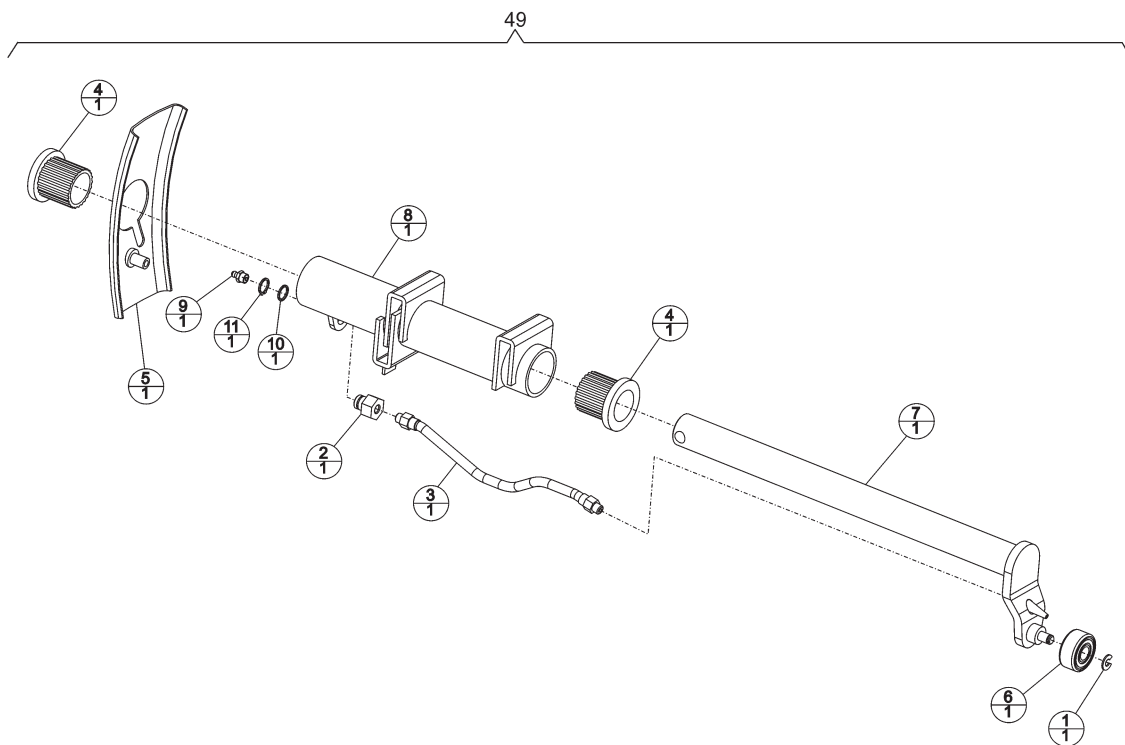
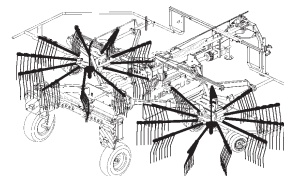
REF.	ONDERDEELNR. PART NUMBER REFERENCE TEILNUMMER	AANTAL QUANTITY QUANTITE ANZAHL
------	--	--

22	9.1066.0010*0	1
23	9.1070.0023.2	2
24	9.1070.0084.0	11
25	9.1072.0007.5	1
26	9.1083.0041.0	1
		= REF. 59 Pag. 05
27	9.1108.0101.1	11
28	9.1113.0104*5	11
29	9.1113.0155*0	1
30	9.1113.0178*2	4
31	9.1113.0485.5	44
32	9.1123.0003*6	1
33	4.1051.2700.0	1
		= REF. 1-11 Pag. 10
34	4.1051.1389.1	11
35	9.1063.0024.3	2
36	4.1051.2045.0	1





HIBISCUS	type number type number numéro de type Typnummer	vanaf serienummer as from serial number après numéro de serie ab Seriennummer
725 MASTER 805 MASTER	4.1051.0110.1 4.1055.0030.1	3000000 3000000



B330-07-00

REF.	ONDERDEELNR. PART NUMBER REFERENCE TEILNUMMER	AANTAL QUANTITY QUANTITE ANZAHL
------	--	--

1	8.5.1.02581	1
2	4.1051.2725.0	1
3	4.1051.2726.0	1
4	2.795.7022.00	2
5	4.1051.2728.0	1

6	0.795.7011.00	1
7	4.1051.2730.0	1
8	4.1051.2750.0	1
9	9.1068.0012.0 [#]	1 (0,14)

AM10x1  
BIOMULTIS SEP2  
(18Kg= 9.1171.0077.4)

10	9.1093.0094.1	1
11	9.1119.0037.2	1

15x20x0,5 DIN 988  
15x1,5 DIN 471

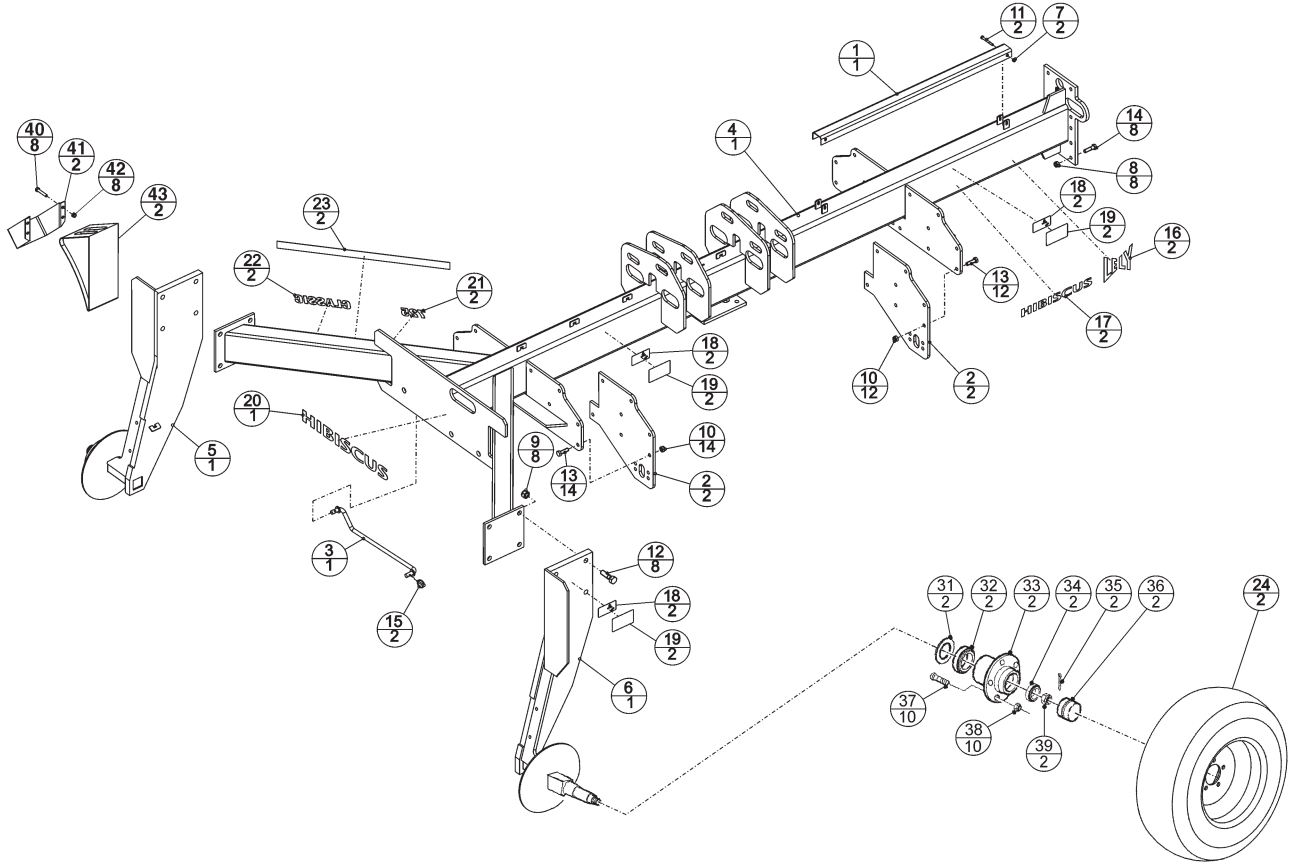
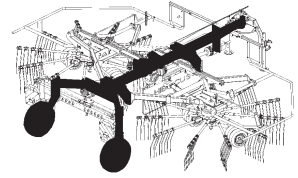
49	4.1051.2700.0	1
----	---------------	---

= REF. 1-11 = REF. 33 Pag 07

REF.	ONDERDEELNR. PART NUMBER REFERENCE TEILNUMMER	AANTAL QUANTITY QUANTITE ANZAHL
------	--	--



HIBISCUS	type nummer type number numéro de type Typnummer	vanaf serienummer as from serial number après numéro de série ab Seriennummer
725 CLASSIC	4.1051.0041.1	3000000



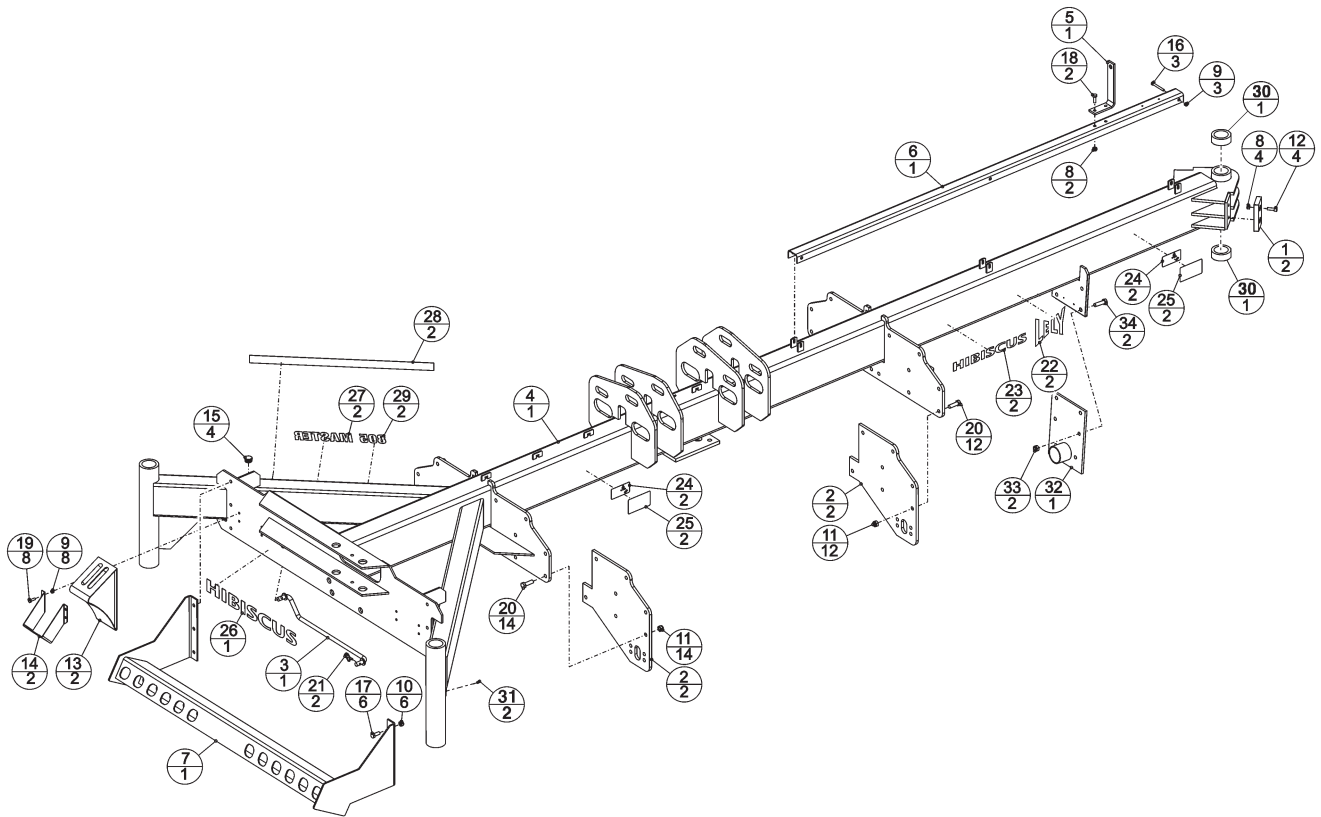
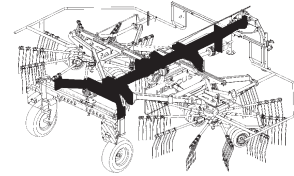
B350-02-00

REF.	ONDERDEELNR. PART NUMBER REFERENCE TEILNUMMER	AANTAL QUANTITY QUANTITE ANZAHL	
1	4.1051.0342.0	1	
2	4.1051.0349.0	4	
3	4.1051.0370.0	1	= REF. 8 Pag. 28 L=542
	4.1051.0360.0	1	[X]= REF. 8 Pag. 28 L=351
4	4.1051.0860.0	1	
5	4.1051.0901.0	1	5= [5+(31-39)]
6	4.1051.0931.0	1	6= [6+(31-39)]
7	9.1030.0012*3	2	M8 DIN 985-8
8	9.1030.0015*6	8	M14 DIN 985-8
9	9.1030.0017*1	8	M20 DIN 985-8
A	9.1030.0014*5	8	M16 DIN 985-8
10	9.1030.0044*0	26	M14 DIN 985-10
11	9.1113.0023*1	2	M8x70 DIN 931-8.8
12	9.1113.0099*0	8	M20x70 DIN 931-8.8
A	9.1113.0082*4	8	M16x65 DIN 931-8.8
13	9.1113.0279*5	26	M14x45 DIN 933-10.9
14	9.1113.0359*0	8	M14x50 DIN 931-10.9
15	9.1123.0003*6	2	Ø6
16	B 9.1170.0001.6	2	"LELY"
17	B 9.1170.0448.5	2	"HIBISCUS"
18	9.1170.0481.3	6	
19	9.1170.0482.4	6	
20	9.1170.0495.3	1	"HIBISCUS"
21	9.1170.0601.4	2	"725"
A	9.1170.0601.4	2	"HIBISCUS 725"
22	9.1170.0603.6	2	"CLASSIC"

REF.	ONDERDEELNR. PART NUMBER REFERENCE TEILNUMMER	AANTAL QUANTITY QUANTITE ANZAHL	
23	B 9.1170.0607.3	2	
24	9.1175.0030.2	2	10 PLY Cpl.
31	9.1049.0022.1	2	Ø84x45 915 PG45
32	9.1002.0021.5	2	30209
33	9.1041.0004.5	2	
34	9.1002.0001.6	2	30206
35	9.1072.0005.3	2	Ø4x40 DIN 64
36	9.1041.0102.5	2	Ø62
37	9.1114.0502.3	10	M16x1,5 DIN 8.8
38	9.1036.0016.1	10	M16
39	#	2	M27x1,5
40	9.1113.0018*3	8	M8x45 DIN 931-8.8
41	9.1096.0005.0	2	
42	9.1030.0012*3	8	M8x1,5 DIN 985.8
43	9.1096.0004.6	2	



HIBISCUS	type number type number numéro de type Typnummer	vanaf serienummer as from serial number après numéro de serie ab Seriennummer
725 CLASSIC SA	4.1051.0090.1	3000000
725 MASTER	4.1051.0110.1	3000000
805 MASTER	4.1055.0030.1	3000000



B350-03-00

REF.	ONDERDEELNR. PART NUMBER REFERENCE TEILNUMMER	AANTAL QUANTITY QUANTITE ANZAHL
------	--	--

1	4-1043-0337-0	2
2	4-1051-0349-0	4
3	4-1051-0370-0	1
4	4-1055-0860-0	1
5	4-1055-2044-0	1
6	4-1055-2047-0	1
7	4-1055-2500-0	1
8	9-1030-0004*2	6
9	9-1030-0012*3	11
10	9-1030-0013*4	6
11	9-1030-0044*0	26
12	9-1057-0058*1	4
13	9-1096-0004-6	2
14	9-1096-0005-0	2
15	9-1108-0085-6	4
16	9-1113-0023*1	3
17	9-1113-0050*0	6
18	9-1113-0120*0	2
19	9-1113-0128-1	8
20	9-1113-0279*5	26
21	9-1123-0003-6	2
22	9-1170-0001-6	2
23	9-1170-0448-5	2
24	9-1170-0481-3	4
25	9-1170-0482-4	4

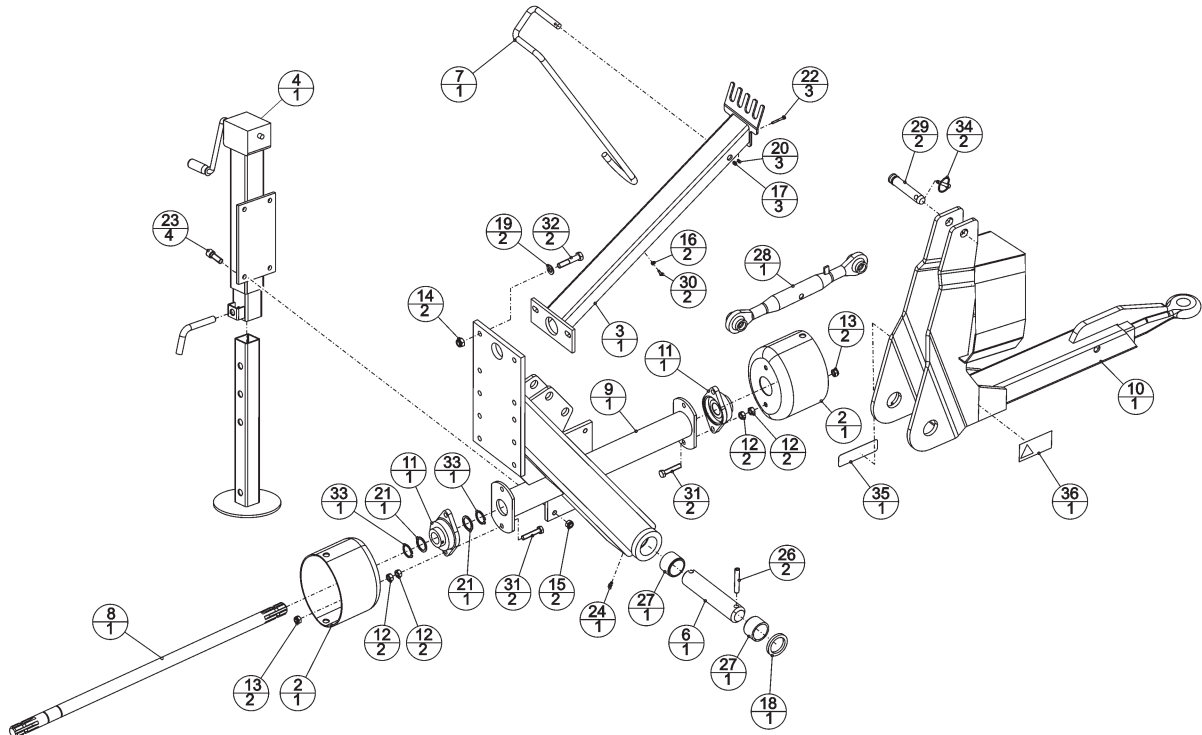
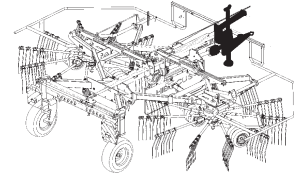
REF.	ONDERDEELNR. PART NUMBER REFERENCE TEILNUMMER	AANTAL QUANTITY QUANTITE ANZAHL
------	--	--

26	9-1170-0495-3	1
27	9-1170-0606-2	2
	9.1170.0603.6	2
	9.1170.0608.4	2
28	9-1170-0607-3	2
29	9-1170-0658-5	2
	9.1170.0601.4	2
30	4-1051-0238-0	2
31	9-1068-0007*2	2
	#	~
32	4.1055.2060.0	1
33	9.1030.0015*6	2
34	9.1113.0070*6	2

"HIBISCUS"  
"MASTER"  
[x]"CLASSIC"  
[x]"SA"  
  
"805"  
[x]"725"  
  
AM8x1,25  
BIOMULTIS SEP2  
(18Kg= 9.1171.0077.4)  
  
M14 DIN 985-10  
M14x50 DIN 931-8.8



HIBISCUS	type nummer type number número de type Typnummer	vanaf serienummer as from serial number après numéro de serie ab Seriennummer
725 CLASSIC	4.1051.0041.1	3000000



B359-01-01

REF.	ONDERDEELNR. PART NUMBER REFERENCE TEILNUMMER	AANTAL QUANTITY QUANTITE ANZAHL
------	--	--

2	4.1042.1499.0	2
3	4.1045.0930.0	1
4	4.1048.1232.0	1
6	4.1051.3048.0	1
7	4.1051.0343.0	1
8	4.1051.3049.0	1
9	4.1051.3301.0	1
10	4.1051.3351.0	1
11	9.1008.0018.3	2
12	9.1029.0008.0	8
13	9.1030.0013*4	4
14	9.1030.0015*6	2
15	9.1030.0024*1	2
16	9.1030.0035.5	2
17	9.1030.0038.1	3
18	9.1048.0048*0	1
19	9.1048.0053*5	2
20	9.1048.0086.3	3
21	9.1052.0006*3	2
22	9.1057.0043.0	3
23	9.1057.0071.0	4
24	9.1068.0007*2 #	1 ~

REF.	ONDERDEELNR. PART NUMBER REFERENCE TEILNUMMER	AANTAL QUANTITY QUANTITE ANZAHL
------	--	--

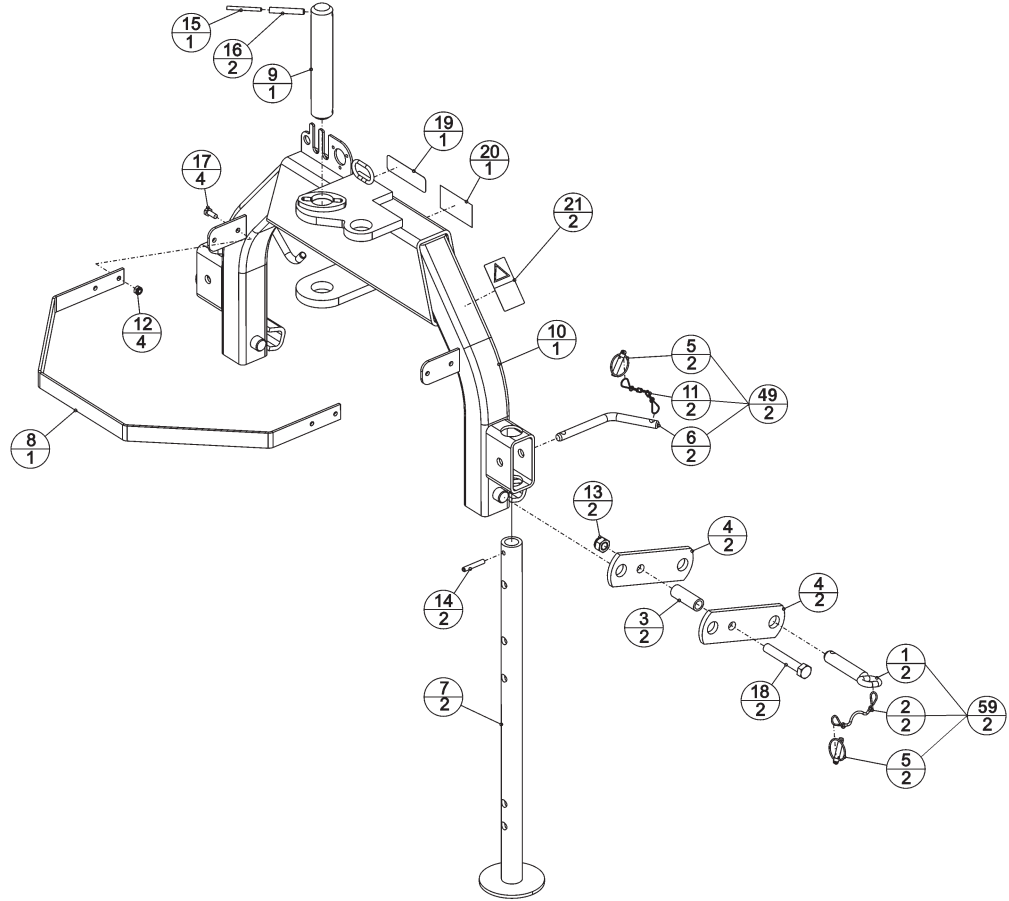
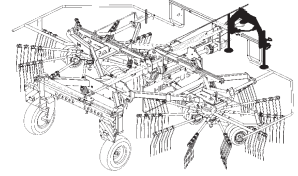
26	9.1070.0051.2	2
27	9.1077.0008.1	2
28	9.1087.0031.0	1
29	9.1088.0004.0	2
30	9.1113.0209.5	2
31	9.1113.0221*3	4
32	9.1113.0343*5	2
33	9.1119.0019.5	2
34	9.1123.0004*0	2
35	9.1170.0125-4	1
36	9.1170.0408-0	1

Ø13x80 DIN 1481  
EG50/60x40 DIN 1498  
M5x16 DIN 933-A2-2  
M12x60 DIN 933-8.8  
M14x70 DIN 931-8.8  
35x2,5 DIN 471  
8x6,3  
"MAX 540"

AM8x1,25  
BIOMULTIS SEP2  
(18Kg= 9.1171.0077.4)



HIBISCUS	type number type number numéro de type Typnummer	vanaf serienummer as from serial number après numéro de serie ab Seriennummer
725 CLASSIC	4.1051.0041.1	3000000
725 CLASSIC SA	4.1051.0090.1	3000000
725 MASTER	4.1051.0110.1	3000000
805 MASTER	4.1055.0030.1	3000000



B334-02-01

REF.	ONDERDEELNR. PART NUMBER REFERENCE TEILNUMMER	AANTAL QUANTITY QUANTITE ANZAHL
------	--	--

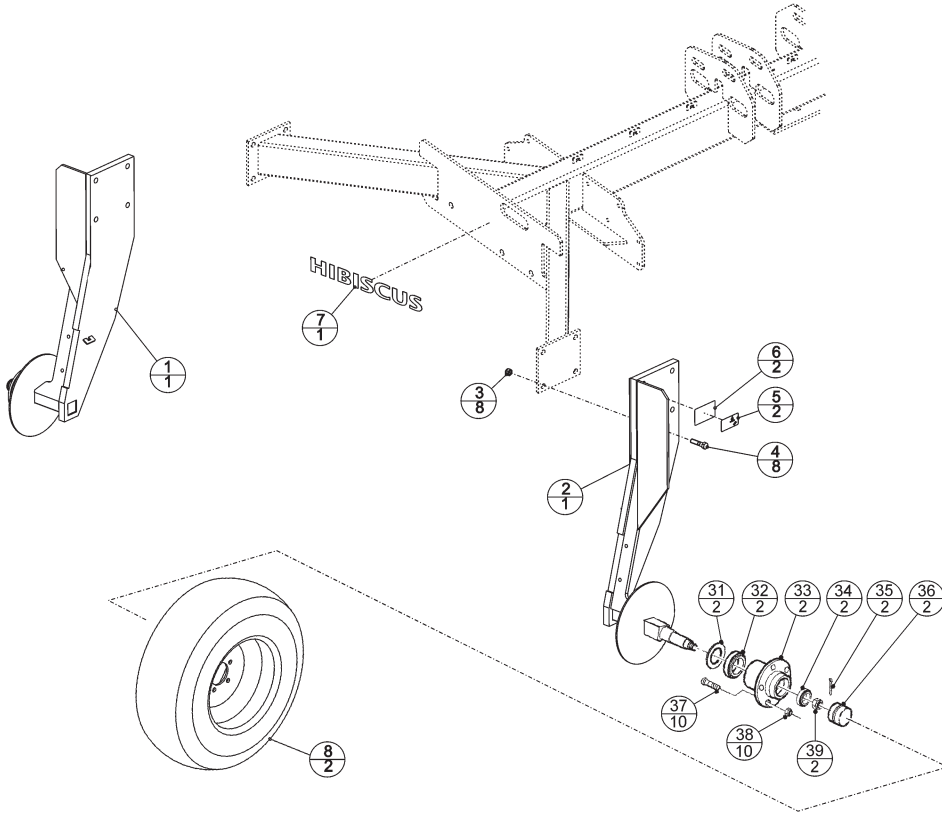
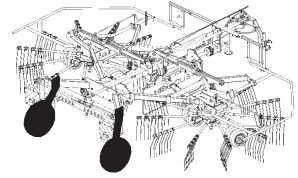
1	1-1804-0310-0	2
2	4-1033-0599-0	2
3	4-1033-0626-0	2
4	4-1033-0627-0	4
5	4-1033-0689-0	4
	11x8	
6	4-1040-0838-0	2
7	4-1040-0951-0	2
8	4-1055-2043-0	1
9	4-1055-2045-0	1
10	4-1055-2200-0	1
11	4-1241-1029-0	2
12	9-1030-0004*2	4
13	9-1030-0017*1	2
14	9-1070-0028-0	2
15	9-1070-0032-4	1
	Ø8x80 DIN 1481	
16	9-1070-0051-2	2
	Ø13x80 DIN 1481	
17	9-1113-0029*0	4
	M10x25 DIN 933-8.8	
18	9-1113-0098*6	2
	M20x130 DIN 931-8.8	
19	9-1170-0125-4	1
	"MAX 540"	
20	9-1170-0408-0	1
21	9-1170-0437-1	2

REF.	ONDERDEELNR. PART NUMBER REFERENCE TEILNUMMER	AANTAL QUANTITY QUANTITE ANZAHL
------	--	--

49	4-1040-0370-0	2	= REF. 5+6+11
59	4-1033-0590-0	2	= REF. 1+2+5



HIBISCUS	type number type number numéro de type Typnummer	vanaf serienummer as from serial number après numéro de serie ab Seriennummer
725 CLASSIC	4.1051.0041.1	3000000



B351-02-01

REF.	ONDERDEELNR. PART NUMBER REFERENCE TEILNUMMER	AANTAL QUANTITY QUANTITE ANZAHL	
------	--	--	--

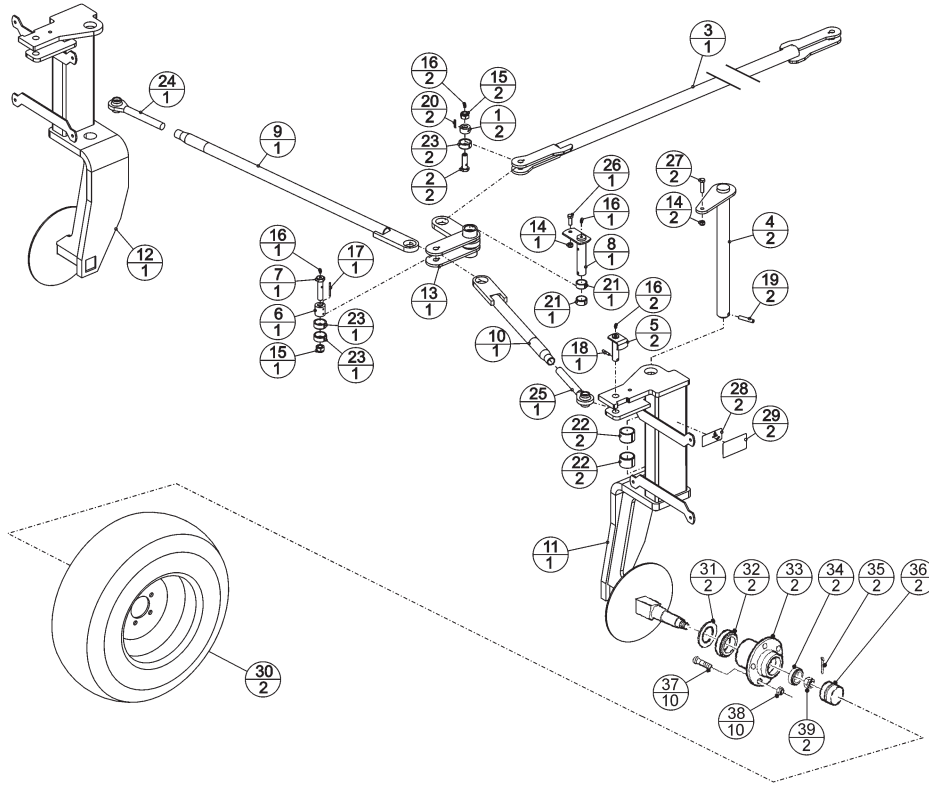
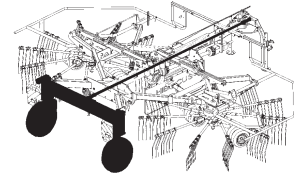
1	4.1051.0901.0	1	1= [1+(31-39)]
2	4.1051.0931.0	1	2= [2+(31-39)]
3	9.1030.0014*5	8	M16 DIN 985-8
4	9.1113.0082*4	8	M16x65 DIN 931-8.8
5	9.1170.0481.3	2	
6	9.1170.0482.4	2	
7	9.1170.0495.3	1	"HIBISCUS"
8	9.1175.0030.2	2	10PLY Cpl.
31	9.1049.0022.1	1+1	Ø84x45 915 PG45
32	9.1002.0021.5	1+1	30209
33	9.1041.0004.5	1+1	
34	9.1002.0001.6	1+1	30206
35	9.1072.0005.3	1+1	Ø4x40 DIN 64
36	9.1041.0102.5	1+1	Ø62
37	9.1114.0502.3	5+5	M16x1,5 DIN 8.8
38	9.1036.0016.1	5+5	M16
39	#	1+1	M27x1,5

REF.	ONDERDEELNR. PART NUMBER REFERENCE TEILNUMMER	AANTAL QUANTITY QUANTITE ANZAHL	
------	--	--	--





HIBISCUS	type nummer type number número de type Typnummer	vanaf serienummer as from serial number après numéro de serie ab Seriennummer
725 CLASSIC SA	4.1051.0090.1	3000000
725 MASTER	4.1051.0110.1	3000000
805 MASTER	4.1055.0030.1	3000000



B351-01-01

REF.	ONDERDEELNR. PART NUMBER REFERENCE TEILNUMMER	AANTAL QUANTITY QUANTITE ANZAHL
------	--	--

1	4-1051-2048-0	2
2	4-1051-2049-0	2
3	4-1051-2050-0	1
4	4-1051-2080-0	2
5	4-1051-2090-0	2
6	4-1055-2046-0	1
7	4-1055-2048-0	1
8	4-1055-2050-0	1
9	4-1055-2140-0	1
10	4-1055-2170-0	1
11	4-1055-2520-0	1
12	4-1055-2540-0	1
13	4-1055-2580-0	1
14	9-1030-0013*4	3
15	9-1030-0017*1	3
16	9-1068-0007-2 #	6 ~
17	9-1070-0015-1	1
18	9-1070-0021-0	1
19	9-1070-0040-5	2
20	9-1070-0044-2	2
21	9-1077-0001-1	2

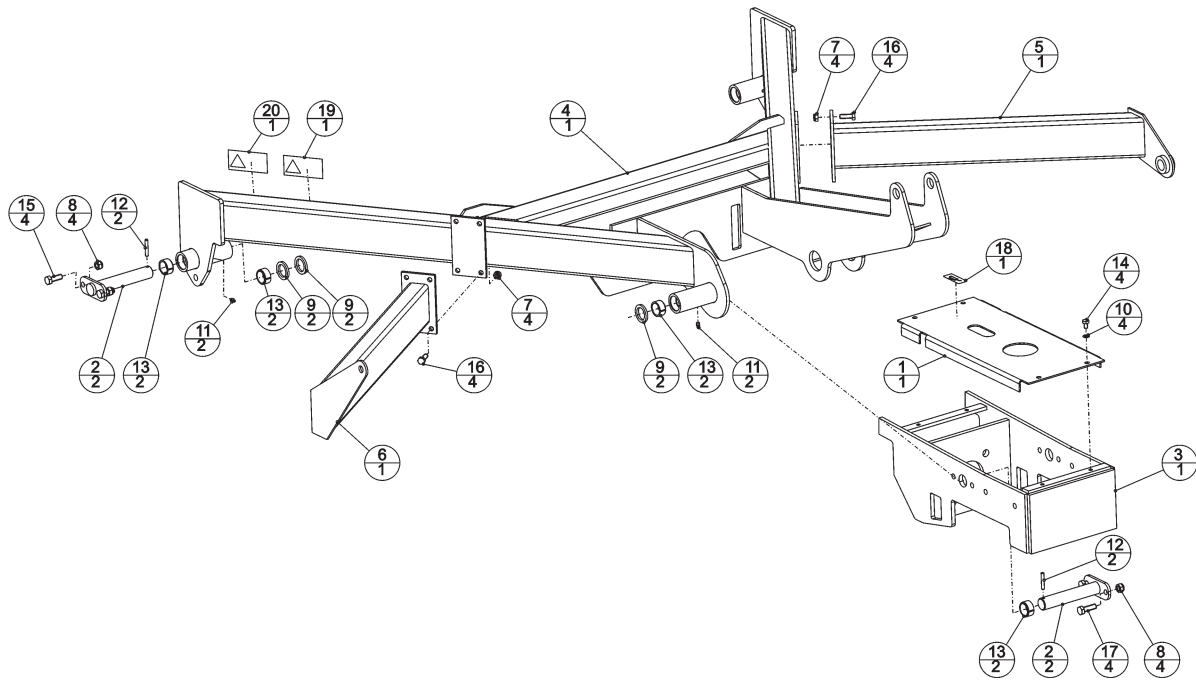
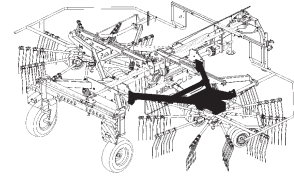
REF.	ONDERDEELNR. PART NUMBER REFERENCE TEILNUMMER	AANTAL QUANTITY QUANTITE ANZAHL
------	--	--

22	9-1077-0008-1	4
23	9-1077-0009-2	4
24	9-1087-0013-3	1
25	9-1087-0014-4	1
26	9-1113-0125*5	1
27	9-1113-0204*0	2
28	9-1170-0481-3	2
29	9-1170-0482-4	2
30	9-1175-0030-2	2
31	9.1049.0022.1	1+1
32	9.1002.0021.5	1+1
33	9.1041.0004.5	1+1
34	9.1002.0001.6	1+1
35	9.1072.0005.3	1+1
36	9.1041.0102.5	1+1
37	9.1114.0502.3	5+5
38	9.1036.0016.1	5+5
39	#	1+1

EG50/60x40 DIN 1498  
EG40/50x20 DIN 1498  
1 1/8"  
1 1/8"  
M12x35 DIN 933-8.8  
M12x50 DIN 933-8.8  
2  
2  
10 PLY  
Ø84x45 915 PG45  
30209  
30206  
Ø4x40 DIN 64  
Ø62  
M16x1,5 DIN 8.8  
M16  
M27x1,5



HIBISCUS	type nummer type number numéro de type Typnummer	vanaf serienummer as from serial number après numéro de serie ab Seriennummer
725 CLASSIC	4.1051.0041.1	3000000
725 CLASSIC SA	4.1051.0090.1	3000000
725 MASTER	4.1051.0110.1	3000000
805 MASTER	4.1055.0030.1	3000000



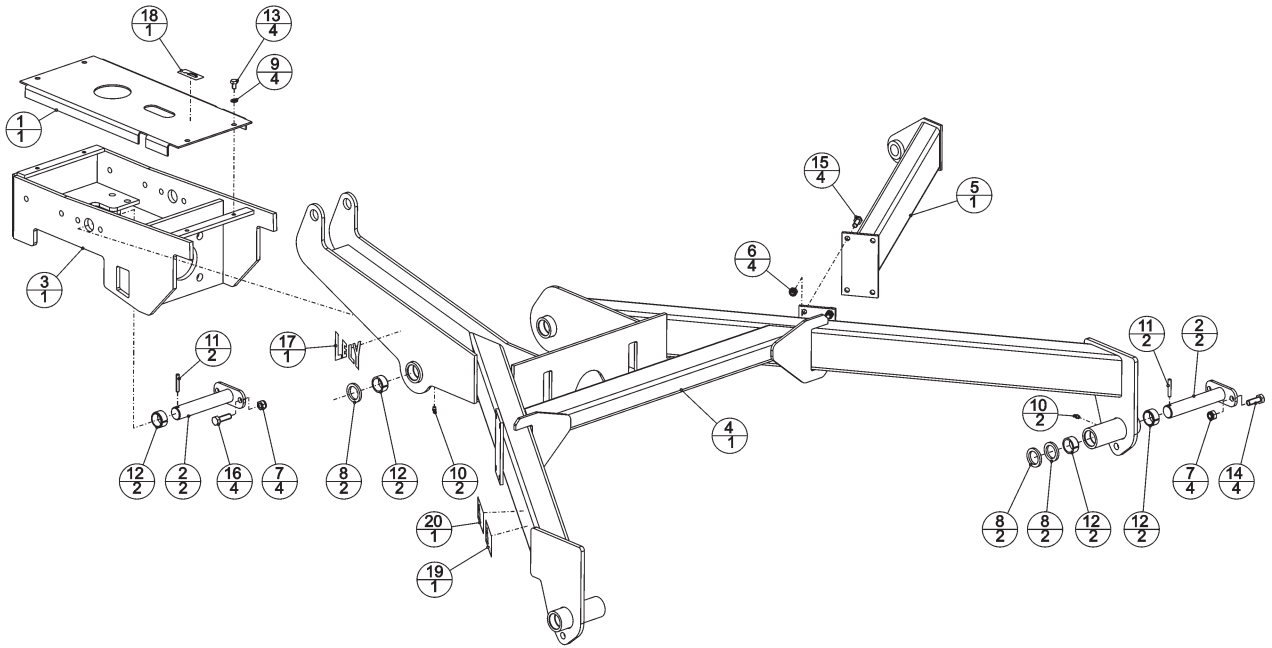
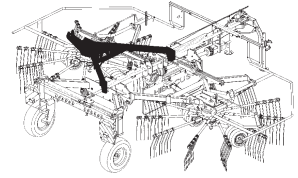
B352-02-00

REF.	ONDERDEELNR. PART NUMBER REFERENCE TEILNUMMER	AANTAL QUANTITY QUANTITE ANZAHL	
1	4.1051.0244.0 4.1055.0249.0	1 1	HIBISCUS 725 HIBISCUS 805[x]
2	4.1051.0350.0	4	
3	4.1051.0650.0 4.1055.0650.0	1 1	HIBISCUS 725 HIBISCUS 805[x]
4	4.1051.0731.0	1	
5	4.1051.1290.0	1	
6	4.1051.2620.0 4.1055.0250.0	1 1	HIBISCUS 725 HIBISCUS 805[x]
7	9.1030.0013*4	8	M12 DIN 985-8
8	9.1030.0044*0	8	M14 DIN 985-10
9	9.1048.0026.6	6	37 DIN 1447
10	9.1051.0008.6	4	A10,5 DIN 6798
11	9.1068.0007*2 #	4 ~	AM8x1,25 BIOMULTIS SEP2 (18Kg= 9.1171.0077.4)
12	9.1070.0023.2	4	Ø8x50 DIN 1481
13	9.1077.0001.1	8	EG 35/43x20 DIN 1498
14	9.1113.0026*4	4	M10x16 DIN 933-8.8
15	9.1113.0142*1	4	M14x40 DIN 933-8.8
16	9.1113.0259*6	8	M12x35 DIN 933-10.9
17	9.1113.0279*5	4	M14x45 DIN 933-10.9
18	9.1170.0205.0	1	"Smeerpunt" "Greasing point" "Point de graissage" "Schmierstelle"

REF.	ONDERDEELNR. PART NUMBER REFERENCE TEILNUMMER	AANTAL QUANTITY QUANTITE ANZAHL	
19	9.1170.0407.6	1	
20	9.1170.0420.5	1	



HIBISCUS	type number type number numéro de type Typnummer	vanaf serienummer as from serial number après numéro de serie ab Seriennummer
725 CLASSIC	4.1051.0041.1	3000000
725 CLASSIC SA	4.1051.0090.1	3000000
725 MASTER	4.1051.0110.1	3000000
805 MASTER	4.1055.0030.1	3000000



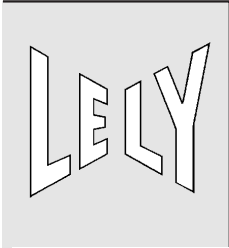
B352-04-00

REF.	ONDERDEELNR. PART NUMBER REFERENCE TEILNUMMER	AANTAL QUANTITY QUANTITE ANZAHL
------	--	--

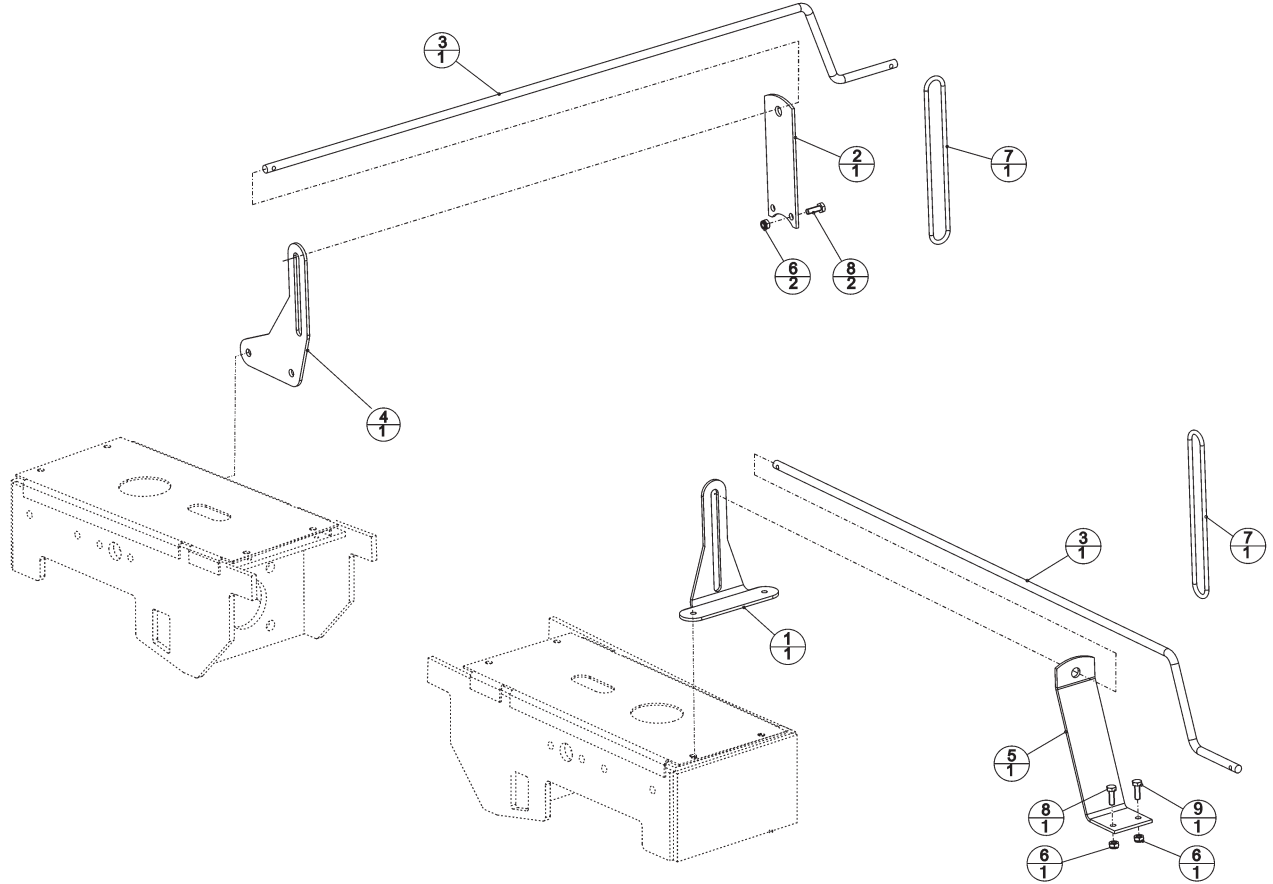
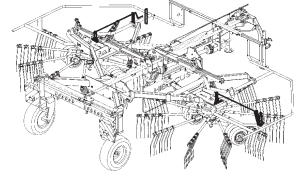
1	4.1051.0244.0 4.1055.0249.0	1 1
2	4.1051.0350.0	4
3	4.1051.0650.0 4.1055.0650.0	1 1
4	4.1051.0731.0	1
5	4.1051.1280.0	1
6	9.1030.0013*4	4
7	9.1030.0044*0	8
8	9.1048.0026.6	6
9	9.1051.0008.6	4
10	9.1068.0007*2 #	4 ~
11	9.1070.0023.2	4
12	9.1077.0001.1	8
13	9.1113.0026*4	4
14	9.1113.0142*1	4
15	9.1113.0259*6	4
16	9.1113.0279*5	4
17	9.1170.0200.2	1
18	9.1170.0205.0	1
19	9.1170.0407.6	1
20	9.1170.0420.5	1

REF.	ONDERDEELNR. PART NUMBER REFERENCE TEILNUMMER	AANTAL QUANTITY QUANTITE ANZAHL
------	--	--

	HIBISCUS 725	
	HIBISCUS 805[x]	
	M12 DIN 985-8	
	M14 DIN 985-10	
	37 DIN 1447	
	A10,5 DIN 6798	
	AM8x1,25	
	BIOMULTIS SEP2 (18Kg= 9.1171.0077.4)	
	Ø8x50 DIN 1481	
	EG 35/43x20 DIN 1498	
	M10x16 DIN 933-8.8	
	M14x40 DIN 933-8.8	
	M12x35 DIN 933-10.9	
	M14x45 DIN 933-10.9	
	"LELY"	
	"Smeerpunt"	
	"Greasing point"	
	"Point de graissage"	
	"Schmierstelle"	



HIBISCUS	type number type number numéro de type Typnummer	vanaf serienummer as from serial number après numéro de serie ab Seriennummer
725 CLASSIC	4.1051.0041.1	3000000
725 CLASSIC SA	4.1051.0090.1	3000000



B357-01-01

REF.	ONDERDEELNR. PART NUMBER REFERENCE TEILNUMMER	AANTAL QUANTITY QUANTITE ANZAHL
------	--	--

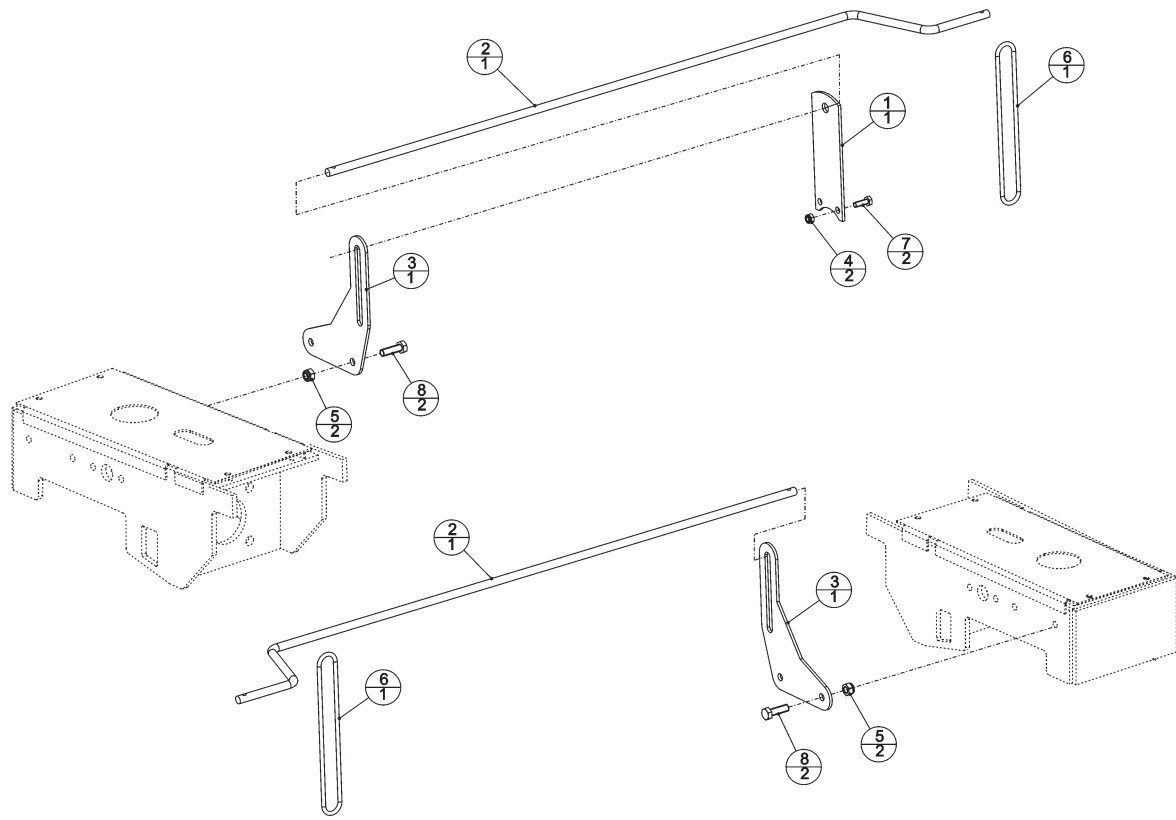
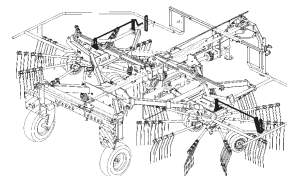
1	4.1051.0239.0	1
2	4.1051.0245.0	1
3	4.1051.0247.0	2
4	4.1051.0248.0	1
5	4.1051.0249.0	1

6	9.1003.0004*2	4	M10 DIN 985-8
7	9.1054.0003.5	2	Ø8 L= 260
8	9.1113.0120*0	4	M10x30 DIN 933-8.8
9	9.1113.0117*4	1	M10x35 DIN 933-8.8

REF.	ONDERDEELNR. PART NUMBER REFERENCE TEILNUMMER	AANTAL QUANTITY QUANTITE ANZAHL
------	--	--



HIBISCUS	type number type number numéro de type Typnummer	vanaf serienummer as from serial number après numéro de serie ab Seriennummer
725 MASTER	4.1051.0110.1	3000000
805 MASTER	4.1055.0030.1	3000000



B357-02-00

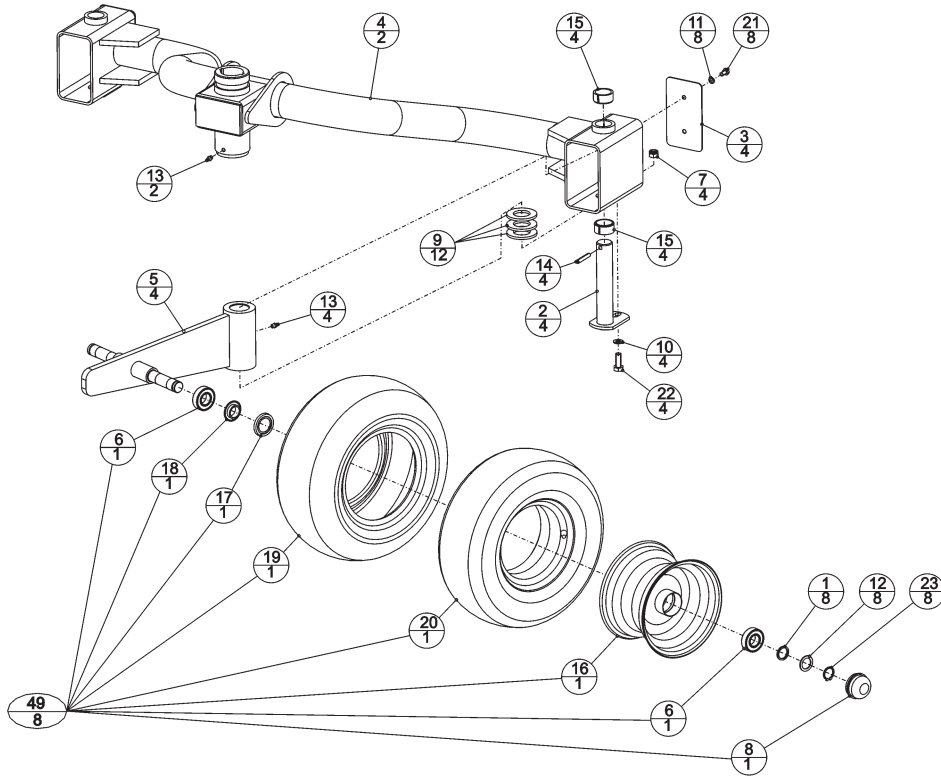
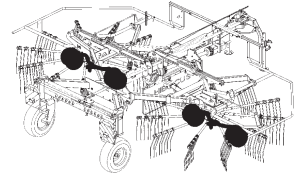
REF.	ONDERDEELNR. PART NUMBER REFERENCE TEILNUMMER	AANTAL QUANTITY QUANTITE ANZAHL
------	--	--

1	4.1051.0245.0	1	
2	4.1051.0247.0	2	
3	4.1051.0248.0	2	
4	9.1003.0004*2	2	M10 DIN 985-8
5	9.1030.0044*0	4	M14 DIN 985-10
6	9.1054.0003.5	2	Ø8 L= 260
7	9.1113.0120*0	2	M10x30 DIN 933-8.8
8	9.1113.0279*5	4	M14x45 DIN 933-10.9

REF.	ONDERDEELNR. PART NUMBER REFERENCE TEILNUMMER	AANTAL QUANTITY QUANTITE ANZAHL
------	--	--



HIBISCUS	type number type number numéro de type Typnummer	vanaf serienummer as from serial number après numéro de série ab Seriennummer
725 CLASSIC	4.1051.0041.1	3000000



B353-01-00

REF.	ONDERDEELNR. PART NUMBER REFERENCE TEILNUMMER	AANTAL QUANTITY QUANTITE ANZAHL
------	--	--

1	4.1011.0066.0	8
2	4.1048.0440.0	4
3	4.1051.0548.0	4
4	4.1051.0550.0	2
5	4.1051.0580.0	4
6	9.1001.0081.3	2(8x)
7	9.1030.0013*4	4
8	9.1041.0104.0	1(8x)
9	9.1048.0034*0	12
10	9.1048.0059*4	4
11	9.1051.0001*6	8
12	9.1052.0007*4	8
13	9.1068.0007*2 #	6 ~
14	9.1070.0023.2	4
15	9.1077.0001.1	8
16	9.1102.0024.6	1(8x)
17	9.1106.0014.6	1(8x)
18	9.1106.0015.0	1(8x)
19	9.1110.0023.4	1(8x)
20	9.1111.0017.4	1(8x)
21	9.1113.0013*5	8
22	9.1113.0050*0	4
23	9.1119.0022.1	8

REF.	ONDERDEELNR. PART NUMBER REFERENCE TEILNUMMER	AANTAL QUANTITY QUANTITE ANZAHL
------	--	--

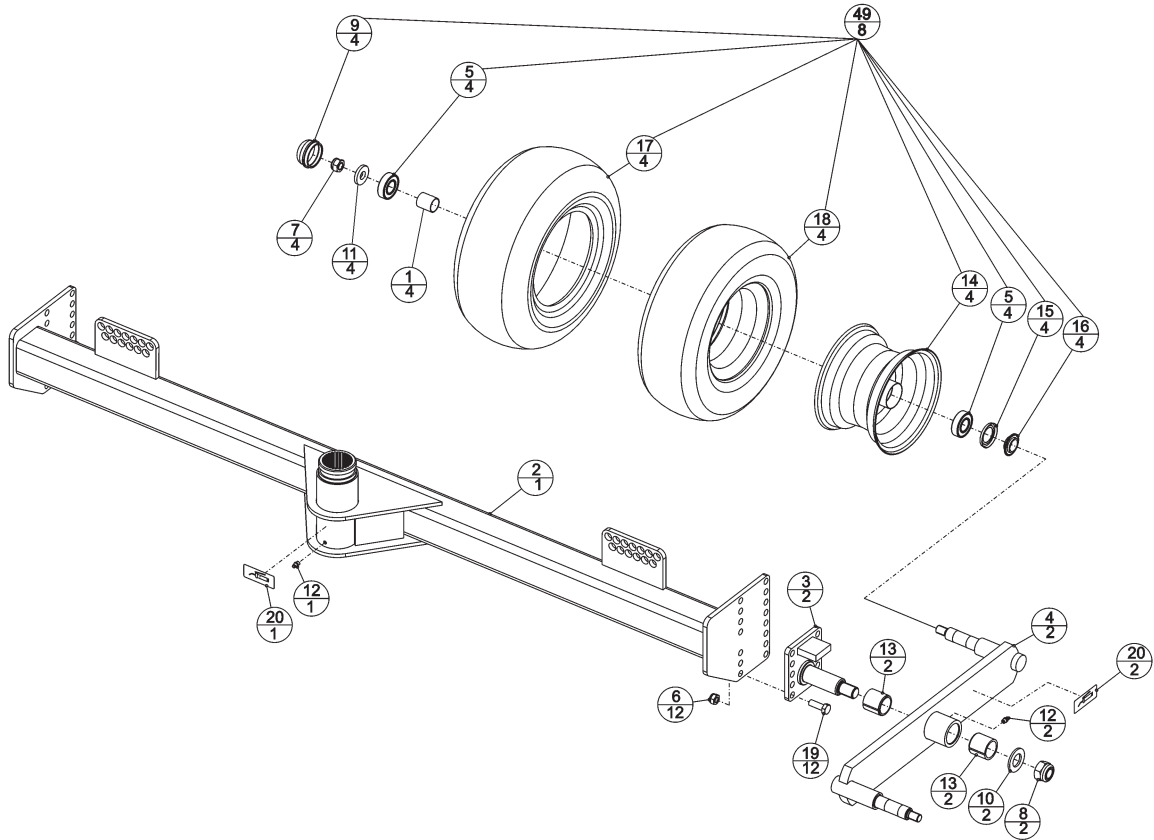
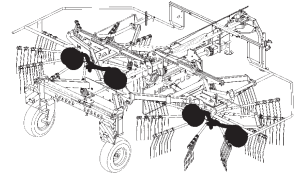
49 4.1033.0920.0 8 = REF. 6+8+(16-20)

3BAR





HIBISCUS	type nummer type number número de type Typnummer	vanaf serienummer as from serial number après numéro de serie ab Seriennummer
725 CLASSIC SA	4.1051.0090.1	3000000
725 MASTER	4.1051.0110.1	3000000
805 MASTER	4.1055.0030.1	3000000



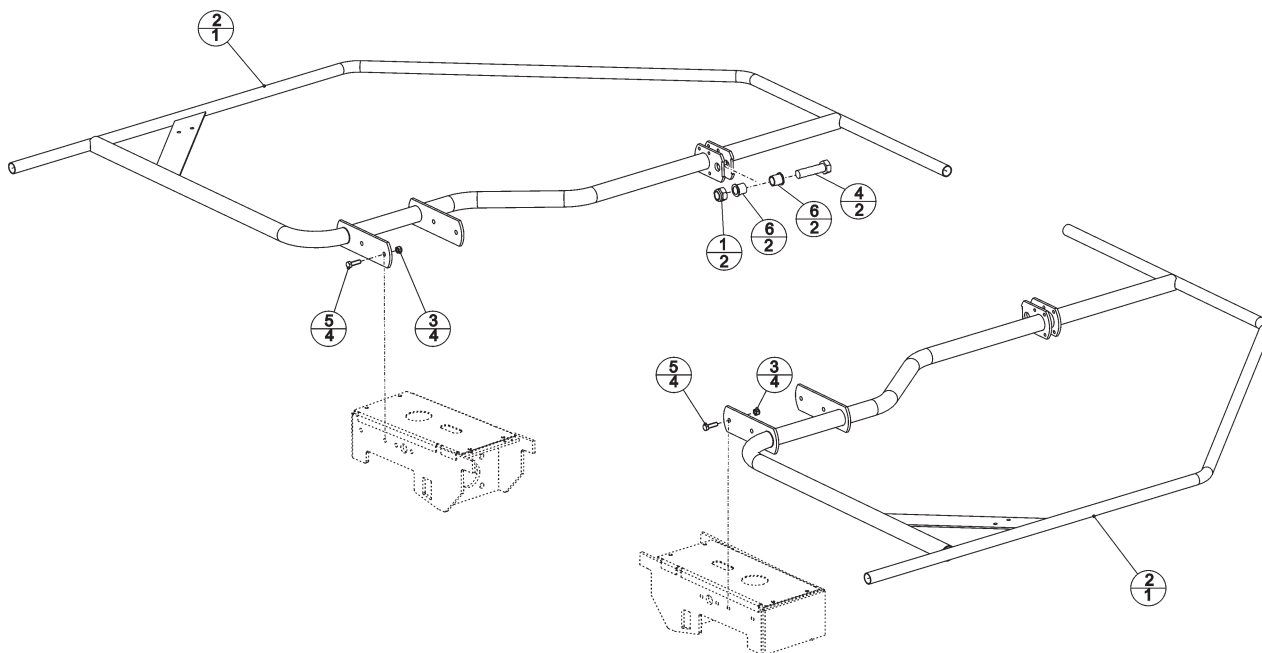
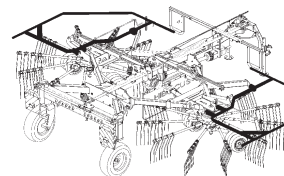
B353-03-00

REF.	ONDERDEELNR. PART NUMBER REFERENCE TEILNUMMER	AANTAL QUANTITY QUANTITE ANZAHL	
1	4-1033-0929-0	4	
2	4-1055-0551-0	1	HIBISCUS 805
	4-1051-0781-0	1	[x]HIBISCUS 725 SA
	4-1051-2441-0	1	[x]HIBISCUS 725 MASTER
3	4-1055-0570-0	2	
4	4-1055-0590-0	2	
5	9-1001-0081-3	8	6205-2RS1
6	9-1030-0013*4	12	M12 DIN 985-8
7	9-1030-0014*5	4	M16 DIN 985-8
8	9-1030-0016*0	2	M24 DIN 985-8
9	9-1041-0104-0	4	Ø52x32
10	9-1048-0022-2	2	A28 DIN 125
11	9-1048-0043-2	4	17 DIN 7349
12	9-1068-0007-2 #	3 ~	AM 8x1,25 BIOMULTIS SEP2 (18Kg= 9.1171.0077.4)
13	9-1077-0012-5	4	EG35/43x40 DIN 1498
14	9-1102-0024-6	4	5,5Ax8 Cpl.= REF. 49
15	9-1106-0014-6	4	
16	9-1106-0015-0	4	
17	9-1110-0023-4	4	16x6,53 BAR
18	9-1111-0017-4	4	16x6,50-8 TR13
19	9-1113-0125*5	12	M12x35 DIN 933-8.8
20	9-1170-0205-0	3	"Smeerpunt" "Greasing point" "Point de graissage" "Schmierstelle"

REF.	ONDERDEELNR. PART NUMBER REFERENCE TEILNUMMER	AANTAL QUANTITY QUANTITE ANZAHL	
49	4.1033.0920.0	8	= REF. 5+9+(14-18)



HIBISCUS	type number type number numéro de type Typnummer	vanaf serienummer as from serial number après numéro de série ab Seriennummer
725 CLASSIC 725 CLASSIC SA	4.1051.0041.1 4.1051.0090.1	3000000 3000000

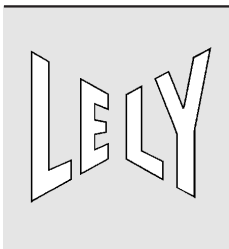


B354-01-01

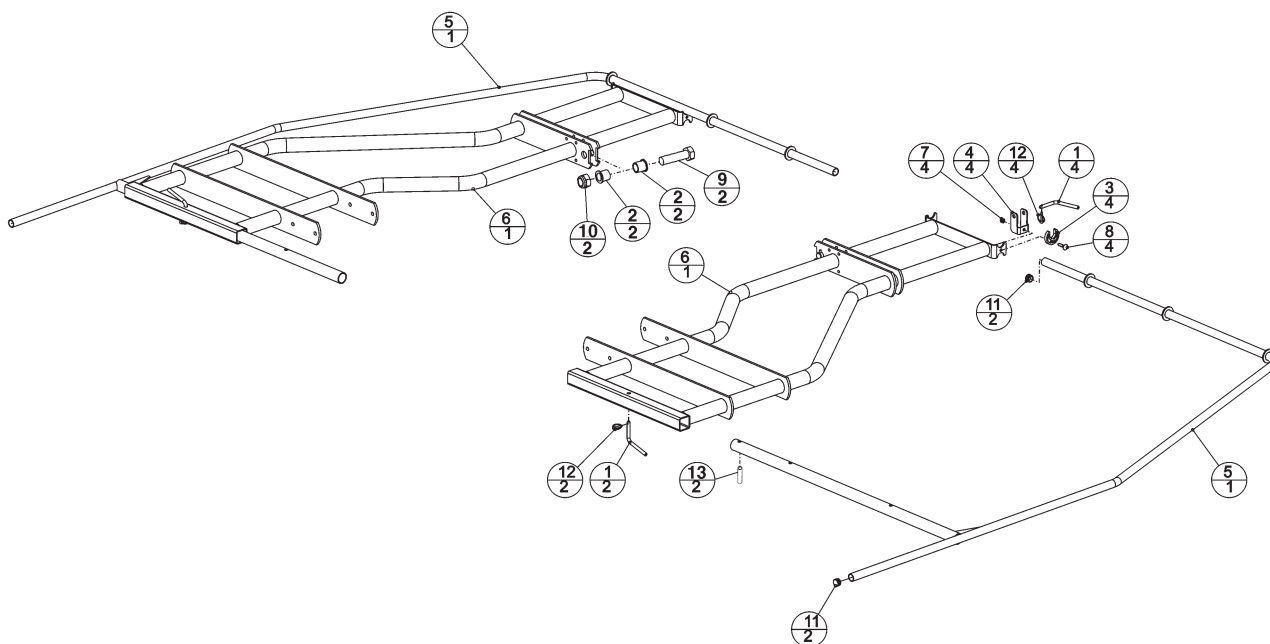
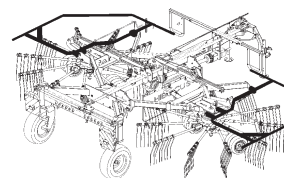
REF.	ONDERDEELNR. PART NUMBER REFERENCE TEILNUMMER	AANTAL QUANTITY QUANTITE ANZAHL	
------	--	--	--

1	9.1030.0016*0	2	M24 SL DIN 985-8
2	4.1051.1230.0	2	
3	9.1030.0044*0	8	M14 DIN 985-10
4	9.1113.0201*4	2	M24x90 DIN 931-8.8
5	9.1113.0279*5	8	M14x45 DIN 933-10.9
6	9.1022.0037.1	4	

REF.	ONDERDEELNR. PART NUMBER REFERENCE TEILNUMMER	AANTAL QUANTITY QUANTITE ANZAHL	
------	--	--	--



HIBISCUS	type number type number numéro de type Typnummer	vanaf serienummer as from serial number après numéro de serie ab Seriennummer
725 MASTER	4.1051.0110.1	3000000
805 MASTER	4.1055.0030.1	3000000



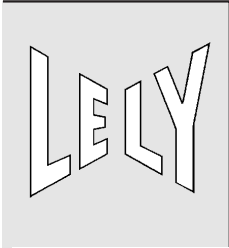
B354-02-01

REF.	ONDERDEELNR. PART NUMBER REFERENCE TEILNUMMER	AANTAL QUANTITY QUANTITE ANZAHL
------	--	--

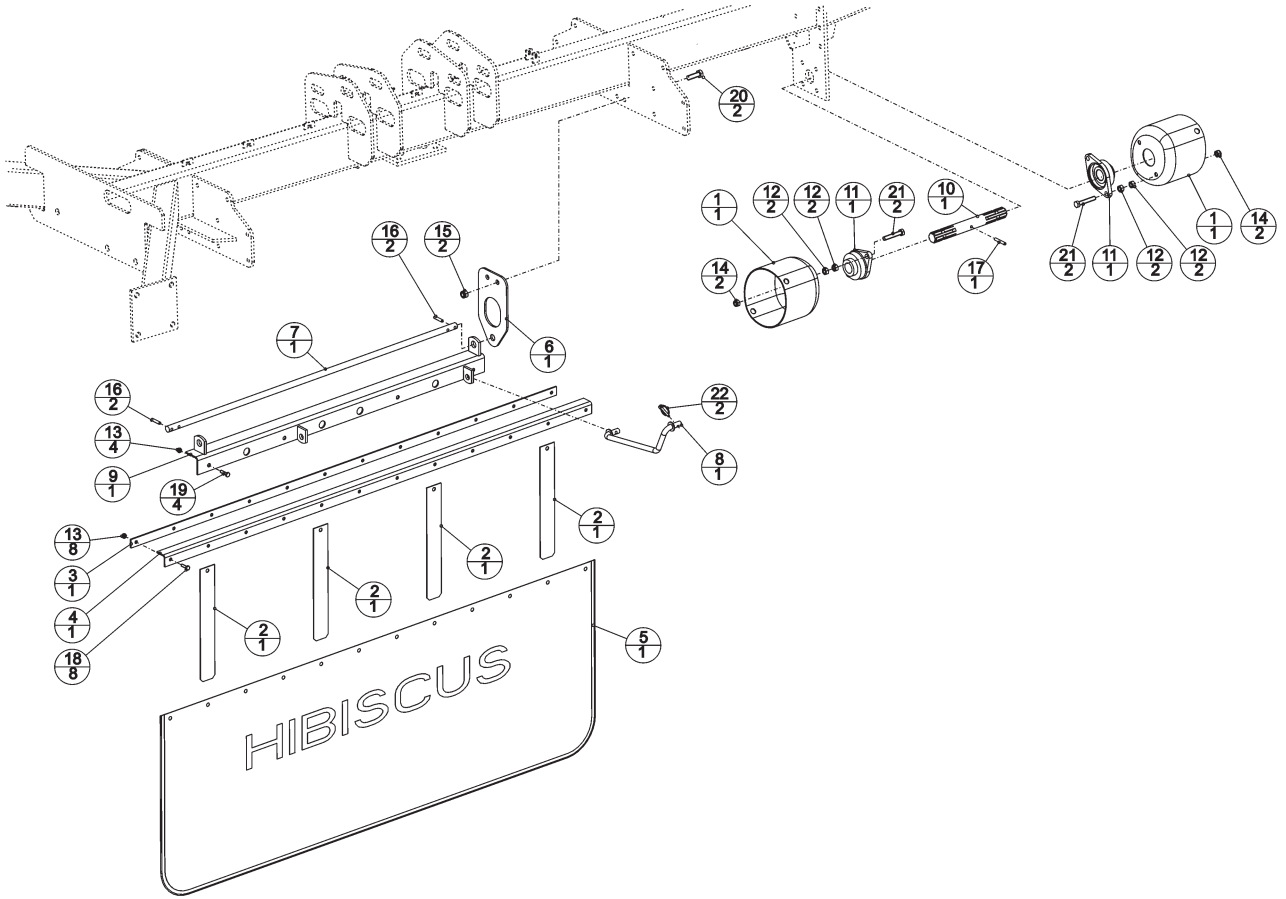
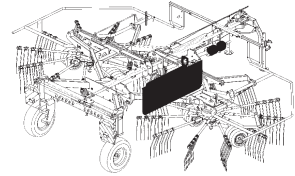
1	4.1016.0298.0	6
2	9.1022.0037.1	4
3	4.1051.1148.0	4
4	4.1051.1149.0	4
5	4.1051.1151.0	2
	4.1055.1151.0	2
6	4.1051.1201.0	2
	4.1055.1201.0	2
7	9.1030.0004*2	4
8	9.1058.0048*4	4
9	9.1113.0201*4	2
10	9.1030.0016*0	2
11	9.1108.0085.6	4
12	9.1123.0003*6	6
13	9.1070.0038.3	2

REF.	ONDERDEELNR. PART NUMBER REFERENCE TEILNUMMER	AANTAL QUANTITY QUANTITE ANZAHL
------	--	--

	HIBISCUS 725	
[x]	HIBISCUS 805	
	HIBISCUS 725	
[x]	HIBISCUS 805	
	M10 DIN 985-8	
	M10x40 DIN 603-8.8	
	M24x90 DIN 931-8.8	
	M24 SL DIN 985-8	
	Ø32	
	Ø6	
	Ø10x75	



HIBISCUS	type nummer type number numéro de type Typnummer	vanaf serienummer as from serial number après numéro de serie ab Seriennummer
725 CLASSIC	4.1051.0041.1	3000000
725 CLASSIC SAA	4.1051.0090.1	3000000
725 MASTER A	4.1051.0110.1	3000000
805 MASTER A	4.1055.0030.1	3000000



B355-01-00

REF.	ONDERDEELNR. PART NUMBER REFERENCE TEILNUMMER	AANTAL QUANTITY QUANTITE ANZAHL
------	--	--

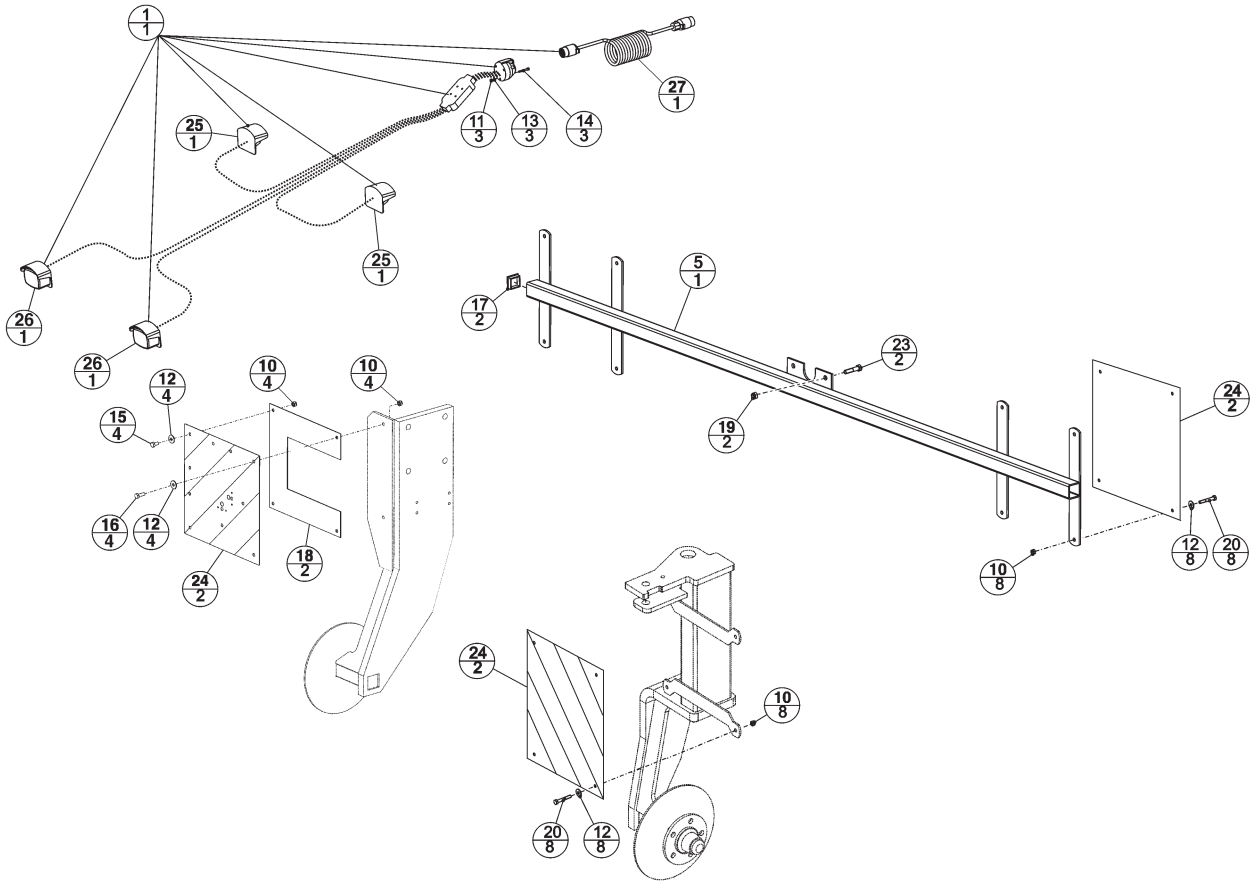
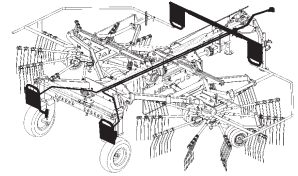
1	A 4.1042.1499.0	2
2	4.1042.1503.0	4
3	4.1045.0257.0	1
4	4.1045.0258.0	1
5	4.1045.0259.0	1
6	4.1051.0341.0	1
7	4.1051.0344.0	1
8	4.1051.0360.0	1
	4.1051.0370.0	1
		L=351
		L=542
9	4.1051.0521.0	1
10	A 4.1256.1993.0	1
11	A 9.1008.0018.3	2
12	A 9.1029.0008*0	8
13	9.1030.0012*3	12
14	A 9.1030.0013*4	4
15	9.1030.0044*0	2
16	9.1070.0021.0	4
17	A 9.1070.0023.2	1
18	9.1113.0014*6	8
19	9.1113.0130*3	4
20	9.1113.0279*5	2
21	A 9.1113.0356.4	4
22	9.1123.0003*6	2

REF.	ONDERDEELNR. PART NUMBER REFERENCE TEILNUMMER	AANTAL QUANTITY QUANTITE ANZAHL
------	--	--

11	FYTB 35 FM	2
12	M12 DIN 934-8	8
13	M8 DIN 985-8	12
14	M12 DIN 985-8	4
15	M14 DIN 985-10	2
16	Ø8x40 DIN 1481	4
17	Ø8x50 DIN 1481	1
18	M8x20 DIN 933-8.8	8
19	M8x30 DIN 933-8.8	4
20	M14x45 DIN 933-10.9	2
21	M12x70 DIN 933-A2-2	4
22	Ø6	2



HIBISCUS	type nummer type number numéro de type Typnummer	vanaf serienummer as from serial number après numéro de serie ab Seriennummer
725 CLASSIC	4.1051.0041.1	3000000
725 CLASSIC SA	4.1051.0090.1	3000000
725 MASTER	4.1051.0110.1	3000000
805 MASTER	4.1055.0030.1	3000000



B356-03-00

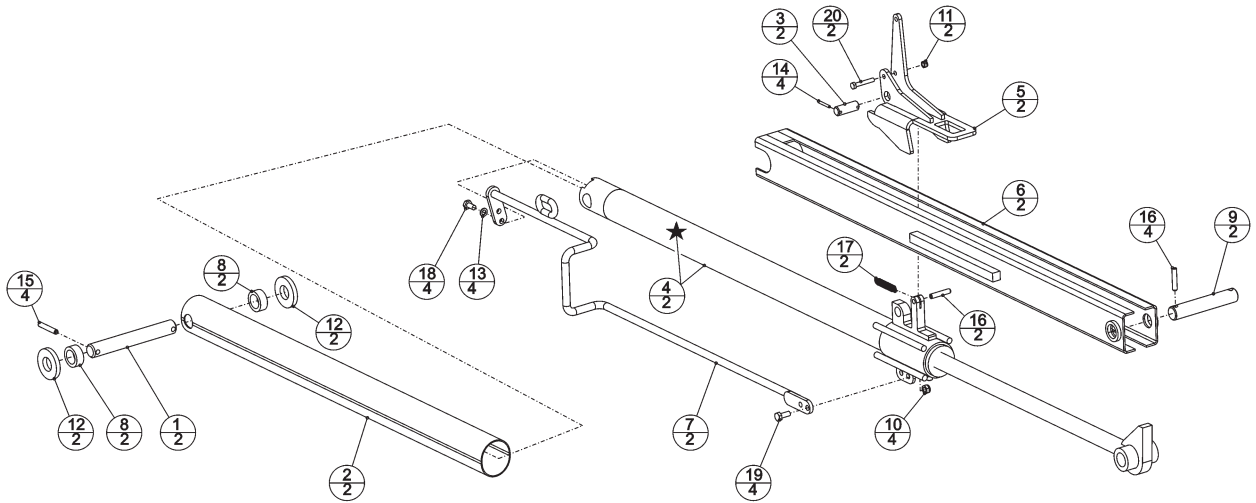
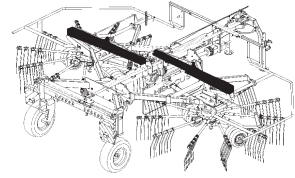
REF.	ONDERDEELNR. PART NUMBER REFERENCE TEILNUMMER	AANTAL QUANTITY QUANTITE ANZAHL	
------	--	--	--

REF.	ONDERDEELNR. PART NUMBER REFERENCE TEILNUMMER	AANTAL QUANTITY QUANTITE ANZAHL	
------	--	--	--

1	4.1045.1650.0	1	= REF. 1+(24-27)
5	4.1055.1360.0	1	
	4.1051.3050.0	1	[x]HIBISCUS 725 CLASSIC
6	9.1030.0004*2	16	M10 DIN 985-8
7	9.1030.0012*3	8	M8 DIN 985-8
8	9.1030.0013*4	4	M12 DIN 985-8
9	9.1030.0015*6	2	M14 DIN 985-8
10	9.1030.0004*2	16	M10 DIN 985-8
11	9.1030.0038.1	3	M5 DIN 985-8
12	9.1048.0008*2	16	A10,5 DIN 9021
13	9.1048.0086.3	3	A5,3 DIN 125
14	9.1057.0043.0	3	M5x40 DIN 912-A2
15	9.1113.0027*5	4	M10x20 DIN 933-8.8
16	9.1113.0120*0	2	M10x30 DIN 933-8.8
17	9.1108.0096.3	2	50x50x3-5
18	4.1051.0339.0	2	HIBISCUS 725 CLASSIC
19	9.1113.0013*5	8	M8x16 DIN 933-8.8
20	9.1113.0029*0	16	M10x25 DIN 933-8.8
23	9.1113.0070*6	2	M14x50 DIN 931-8.8
24	4.1040.1215.0	4	
25	9.1096.0016.4	2	
26	9.1096.0015.3	2	
27	9.1186.0277.0	1	Ø90



HIBISCUS	type nummer type number numéro de type Typnummer	vanaf serienummer as from serial number après numéro de serie ab Seriennummer
725 CLASSIC	4.1051.0041.1	3000000
725 CLASSIC SA	4.1051.0090.1	3000000
725 MASTER	4.1051.0110.1	3000000
805 MASTER	4.1055.0030.1	3000000



B362-01-01

REF.	ONDERDEELNR. PART NUMBER REFERENCE TEILNUMMER	AANTAL QUANTITY QUANTITE ANZAHL
------	--	--

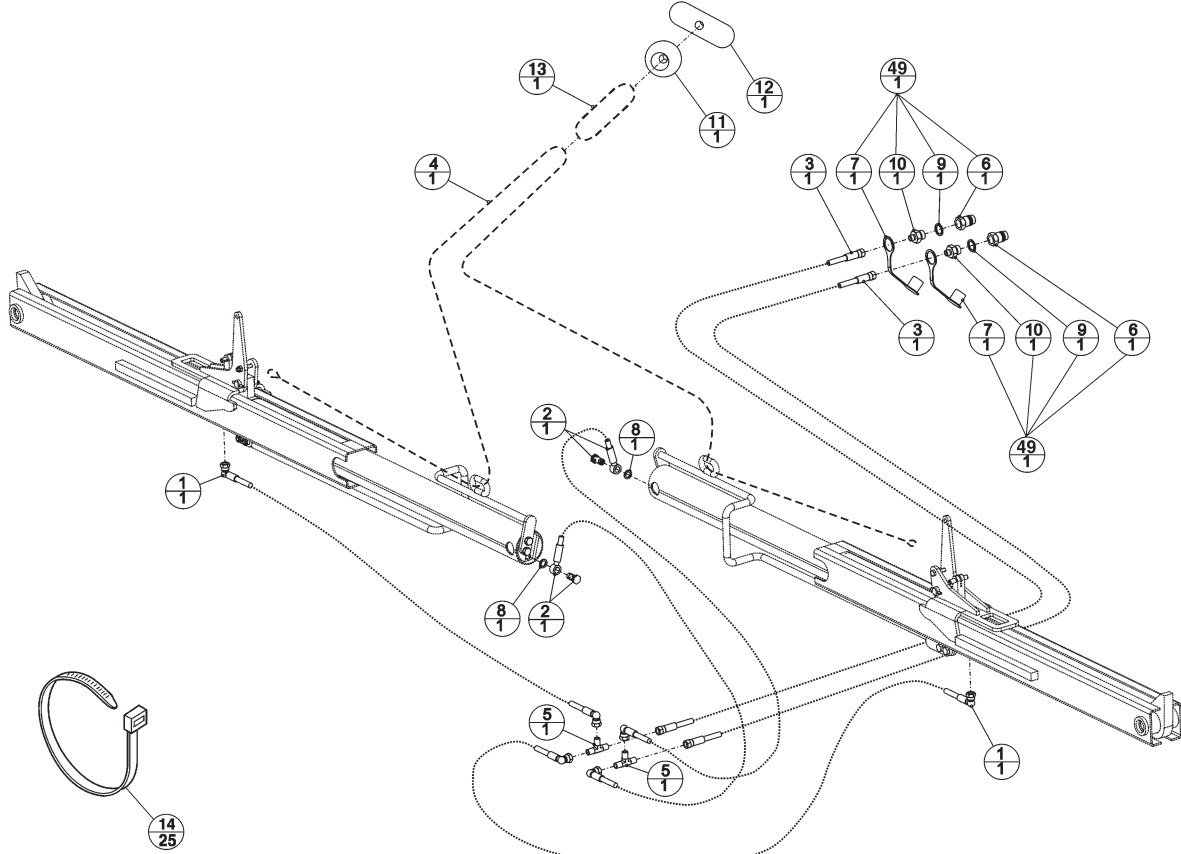
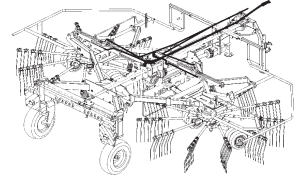
1	4.1043.0345.0	2	
2	4.1051.1007.0	2	
3	4.1051.1009.0	2	
4	4.1051.1010.0	2	(4= 4+★)
★	4.1051.1018.0	(2)	[x](A+A)
5	4.1051.1030Z0	2	
6	4.1051.1040.0	2	
7	4.1051.1060.0	2	
8	4.1207.1498.0	4	
9	4.1260.1496.0	2	
10	9.1030.0004*2	4	M10 DIN 985-8
11	9.1030.0012*3	2	M8 DIN 985-8
12	9.1048.0106.2	4	A31 DIN 7349
13	9.1051.0002*0	4	A10,5 DIN 6798
14	9.1070.0013.6	4	Ø5x40 DIN 1481
15	9.1070.0028.0	4	Ø10x60 DIN 1481
16	9.1070.0039.4	6	Ø10x50 DIN 1481
17	9.1089.0012.0	2	T 42340
18	9.1113.0027*5	4	M10x20 DIN 933-8.8
19	9.1113.0029*0	4	M10x25 DIN 933-8.8
20	9.1113.0363.4	2	M8x50 DIN 933-A2-2

REF.	ONDERDEELNR. PART NUMBER REFERENCE TEILNUMMER	AANTAL QUANTITY QUANTITE ANZAHL
------	--	--





HIBISCUS	type nummer type number numéro de type Typnummer	vanaf serienummer as from serial number après numéro de serie ab Seriennummer
725 CLASSIC	4.1051.0041.1	3000000
725 CLASSIC SA	4.1051.0090.1	3000000
725 MASTER	4.1051.0110.1	3000000
805 MASTER	4.1055.0030.1	3000000



B362-02-02

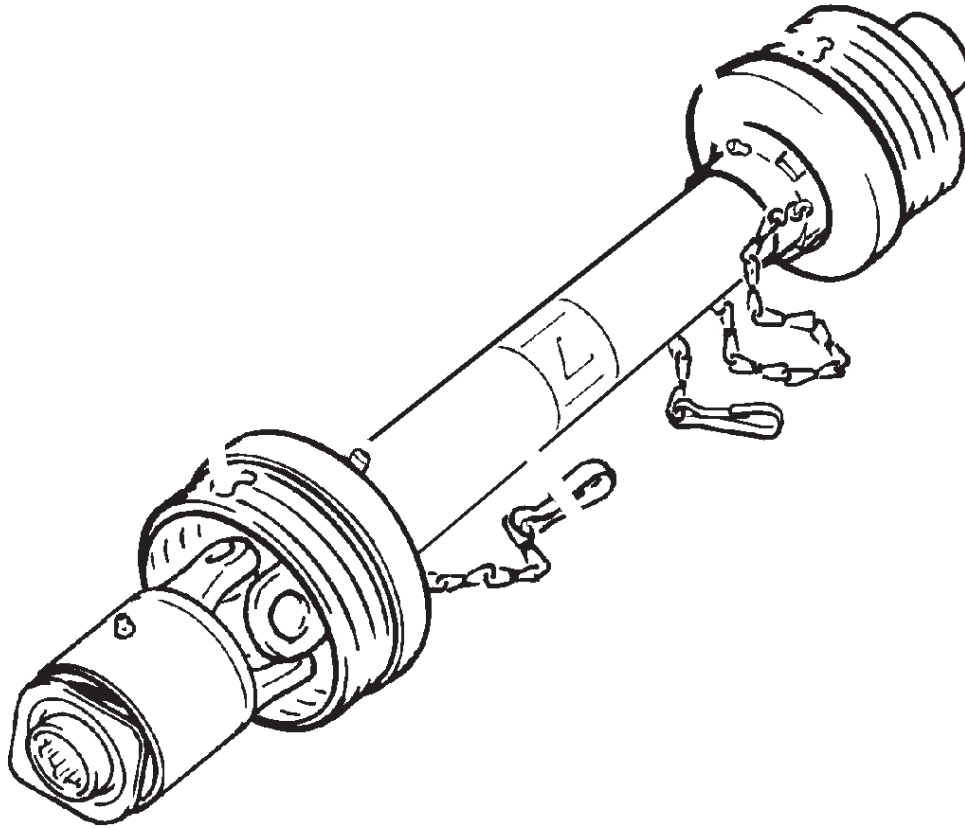
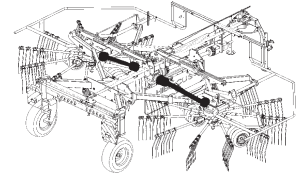
REF.	ONDERDEELNR. PART NUMBER REFERENCE TEILNUMMER	AANTAL QUANTITY QUANTITE ANZAHL	
------	--	--	--

1	2.1008.1481.0	2	L= 2000
2	4.1051.1058.0	2	L= 1060
3	4.1051.1059.0	2	L= 4500
4	4.1051.1499.0	1	
5	9.1137.0200.0	2	1/4"
6	9.1137.0302.4	2	1/2"
7	9.1137.0303.5	2	1/2"
8	9.1137.0409.6	2	13,74x20,57x2,03
9	9.1137.0411.1	2	21,54x28,58x2,34
10	9.1137.0614.1	2	1/2"-1/4"
11	4.1051.1498.0	1	
12	2.3201.0328.0	1	
13	4.1201.1462.0	1	
14	9.1164.0032.1	25	Ø90
49	4.1048.1480.0	2	= REF. (6+7+9+10)

REF.	ONDERDEELNR. PART NUMBER REFERENCE TEILNUMMER	AANTAL QUANTITY QUANTITE ANZAHL	
------	--	--	--

LELY

HIBISCUS	type number type number numéro de type Typnummer	vanaf serienummer as from serial number après numéro de série ab Seriennummer
725 CLASSIC	4.1051.0041.1	3000000
725 CLASSIC SA	4.1051.0090.1	3000000
725 MASTER	4.1051.0110.1	3000000
805 MASTER	4.1055.0030.1	3000000



B

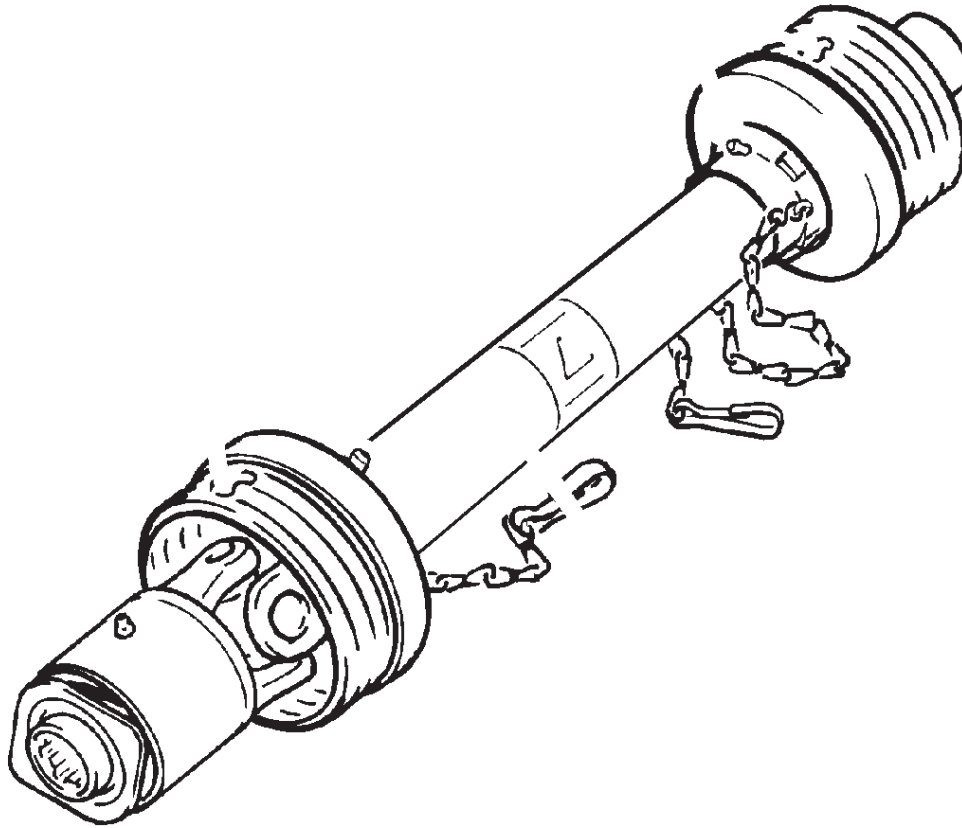
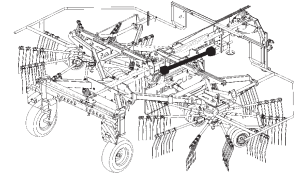
REF.	ONDERDEELNR. PART NUMBER REFERENCE TEILNUMMER	AANTAL QUANTITY QUANTITE ANZAHL	
------	--	--	--

1	9.1154.0246.1	2	W2300-SC15SW-910-K33 = REF. 12 Pag. 01 HIBISCUS 725 MASTER
	9.1154.0265.6	2	W2200-SC15SW-910-K33B-21 600-OV/1 = REF. 12 Pag. 01 HIBISCUS 725 CLASSIC HIBISCUS 725 CLASSIC SA
	9.1154.0260.1	2	W2300-SC15SW-1060-K33-21 = REF. 12 Pag. 01 HIBISCUS 805 MASTER

REF.	ONDERDEELNR. PART NUMBER REFERENCE TEILNUMMER	AANTAL QUANTITY QUANTITE ANZAHL	
------	--	--	--



HIBISCUS	type number type number numéro de type Typnummer	vanaf serienummer as from serial number après numéro de serie ab Seriennummer
725 CLASSIC	4.1051.0041.1	3000000
725 CLASSIC SA	4.1051.0090.1	3000000
725 MASTER	4.1051.0110.1	3000000
805 MASTER	4.1055.0030.1	3000000

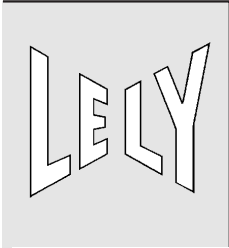


B

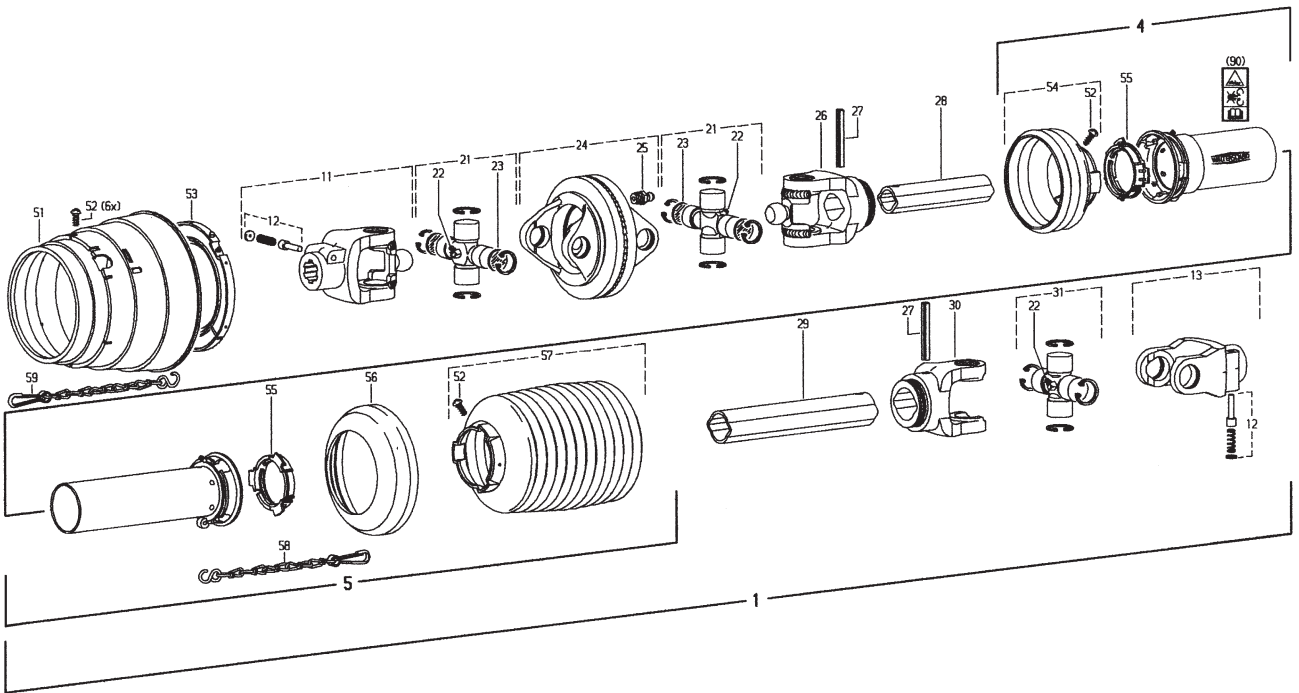
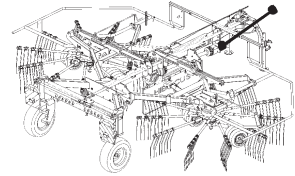
REF.	ONDERDEELNR. PART NUMBER REFERENCE TEILNUMMER	AANTAL QUANTITY QUANTITE ANZAHL
------	--	--

- |   |               |   |   |
|---|---------------|---|---|
| 1 | 9.1154.0263.4 | 1 | W2300-SC15SW-1010-21<br>= REF. 11 Pag. 01<br>HIBISCUS 725 CLASSIC   |
|   | 9.1154.0266.0 | 1 | W2300-SC15SW-PROF1-1950<br>= REF. 11 Pag. 01<br>HIBISCUS 725 CLASSIC SA<br>HIBISCUS 725 MASTER<br>HIBISCUS 805 MASTER |

REF.	ONDERDEELNR. PART NUMBER REFERENCE TEILNUMMER	AANTAL QUANTITY QUANTITE ANZAHL
------	--	--



HIBISCUS	type number type number numéro de type Typnummer	vanaf serienummer as from serial number après numéro de serie ab Seriennummer
725 CLASSIC	4.1051.0041.1	3000000

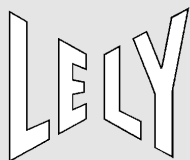


Bw014-01-00

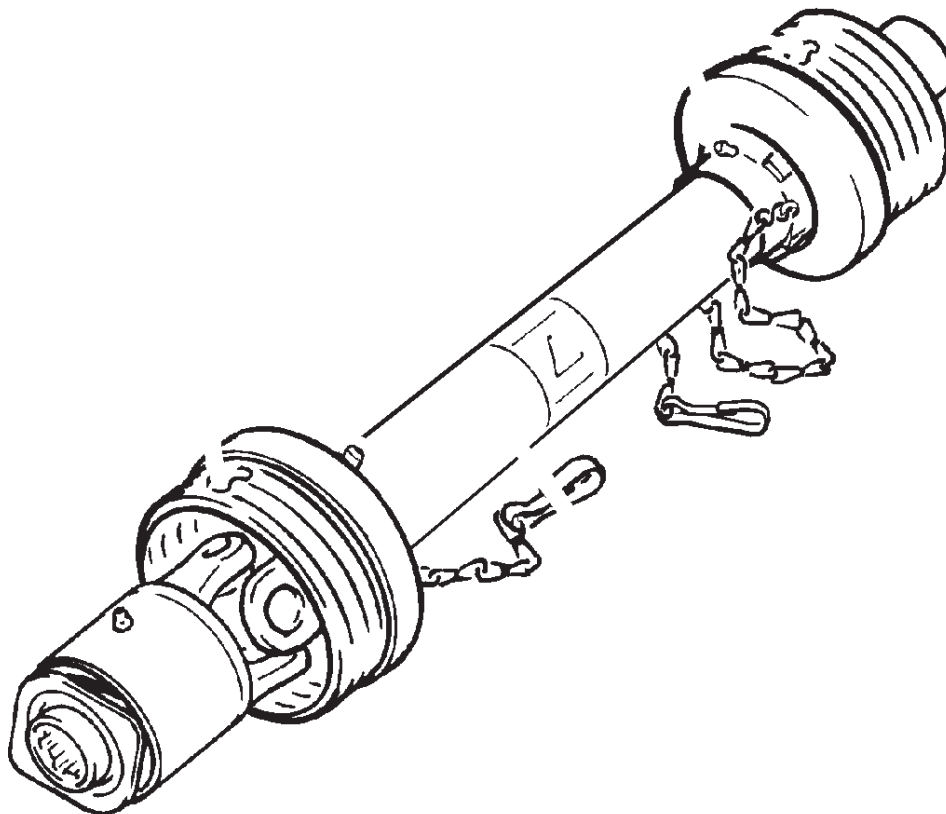
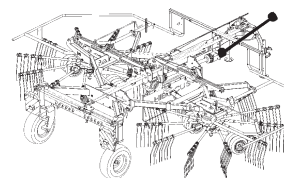
REF.	ONDERDEELNR. PART NUMBER REFERENCE TEILNUMMER	AANTAL QUANTITY QUANTITE ANZAHL	
------	--	--	--

1	9.1154.0232.1	1	WWE2480-SD25SW-1010
4	85.232	1	SCH25SW-A695-RP4
5	85.234	1	SCH25SW-J695-RP12K
11	35.10.10+	1	AG2480-1 3/8" (6)
12	33.91.07	2	AGRASET 101
13	35.10.00	1	AG2480-1 3/8" (6)
21	35.06.00	2	WW2480
22	63.27.00	3	BM8x1
23	35.06.70	4	26,95x2
24	35.41.05+	1	DOPG 2480
25	63.12.01	1	AM8x1 DIN 71412
26	35.13.10+	1	RG2480-1b
27	61.05.08	2	Ø10x80 ISO 8752
28	75.25.95	1	1bGA-780
29	75.36.15	1	2aG-765
30	35.14.00	1	RG2400-2a
31	35.00.00	1	
51	85.00.32	1	SD25SW-2480
52	60.15.00	8	4x10
53	82.83.14	1	SD25-2480
54	85.25.303	1	n= 4
55	82.83.04	2	
56	82.85.00	1	
57	85.25.42	1	n=12
58	82.36.03	1	400
59	82.36.08	1	600
90	12.07.77	1	AGRASET 209

REF.	ONDERDEELNR. PART NUMBER REFERENCE TEILNUMMER	AANTAL QUANTITY QUANTITE ANZAHL	
------	--	--	--



HIBISCUS	type number type number numéro de type Typnummer	vanaf serienummer as from serial number après numéro de serie ab Seriennummer
725 CLASSIC SA	4.1051.0090.1	3000000
725 MASTER	4.1051.0110.1	3000000
805 MASTER	4.1055.0030.1	3000000



Bw

REF.	ONDERDEELNR. PART NUMBER REFERENCE TEILNUMMER	AANTAL QUANTITY QUANTITE ANZAHL
------	--	--

1	9.1154.0264.5	1	W2300-SD15SW-1210-21
---	---------------	---	----------------------

REF.	ONDERDEELNR. PART NUMBER REFERENCE TEILNUMMER	AANTAL QUANTITY QUANTITE ANZAHL
------	--	--