



**58A400**

# Illustrated Parts List

## Model Series

**58A400  
950cc  
TURBO DIESEL**

TYPE NUMBERS  
0201, 0205, 0209, 0210,  
0231, 0234, 0376, 0377.

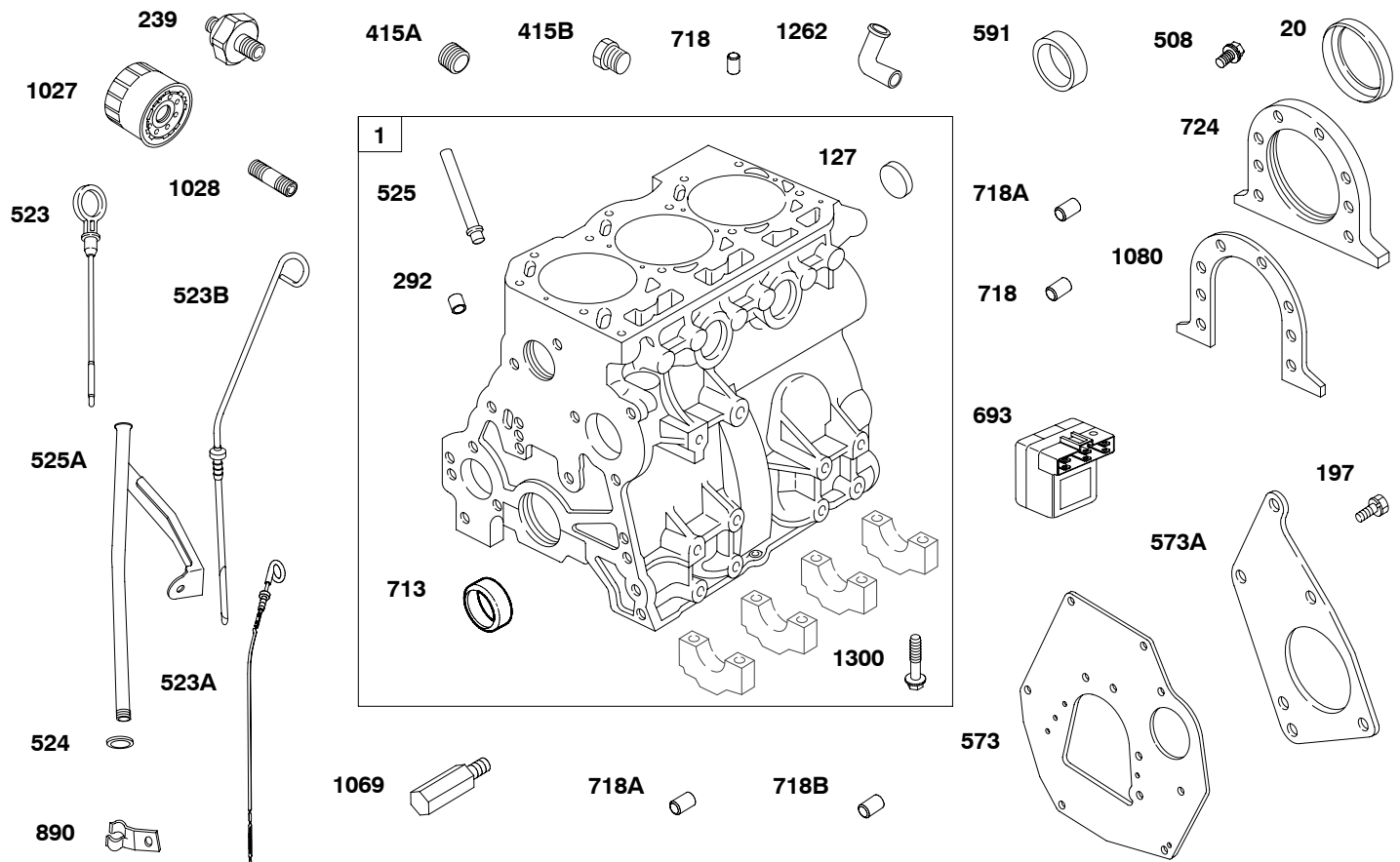
REFER TO REPAIR MANUAL MS1055 FOR ASSEMBLY AND TORQUE REQUIREMENTS.

PRINTED IN U.S.A.



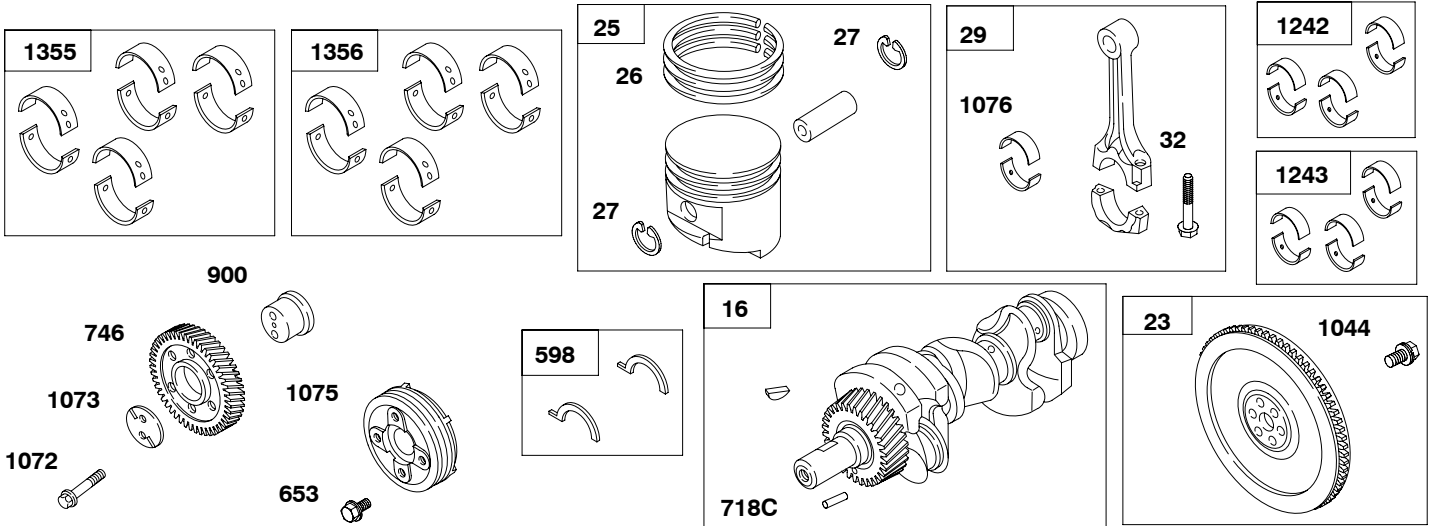
COPYRIGHT by BRIGGS & STRATTON DAIHATSU LLC  
All rights reserved. No part of this material may be reproduced or transmitted,  
in any form or by any means, electronic or mechanical, including photocopying,  
recording or by any information storage and retrieval system, without permission  
in writing from Briggs & Stratton DAIHATSU LLC.

# 58A400



REF. NO.	PART NO.	DESCRIPTION	REF. NO.	PART NO.	DESCRIPTION	REF. NO.	PART NO.	DESCRIPTION
<b>1</b>	<b>825599</b>	Cylinder Assembly	<b>523</b>	<b>821158</b>	Dipstick	<b>591</b>	<b>821069</b>	Plug-Camshaft
<b>20</b>	<b>821073</b>	Seal-Oil (PTO Side)	<b>523A</b>	<b>820643</b>	Dipstick Used on Type No(s). 0231, 0377.	<b>693</b>	<b>820373</b>	Module-Pre Heat
<b>127</b>	<b>820004</b>	Plug-Welch	<b>523B</b>	<b>820572</b>	Dipstick Used on Type No(s). 0376.	<b>713</b>	<b>821299</b>	Bushing-Camshaft
<b>197</b>	<b>820176</b>	Screw (Back Plate)	<b>524</b>	<b>820654</b>	Seal-Dipstick Tube Used on Type No(s). 0231, 0377.	<b>718</b>	<b>820063</b>	Pin-Locating
<b>239</b>	<b>821135</b>	Switch-Oil Pressure	<b>525</b>	<b>820144</b>	Tube-Dipstick	<b>718A</b>	<b>820062</b>	Pin-Locating
<b>292</b>	<b>820662</b>	Collar-Dipstick Tube	<b>525A</b>	<b>820666</b>	Tube-Dipstick Used on Type No(s). 0231, 0377.	<b>718B</b>	<b>820061</b>	Pin-Locating
<b>415A</b>	<b>820375</b>	Plug (Cylinder)	<b>573</b>	<b>820170</b>	Plate-Back	<b>724</b>	<b>820146</b>	Retainer-Seal
<b>415B</b>	<b>820182</b>	Plug (Cylinder) Used on Type No(s). 0209.	<b>573A</b>	<b>820147</b>	Plate-Back	<b>890</b>	<b>820238</b>	Bracket-Support
<b>508</b>	<b>820031</b>	Screw (Seal Retainer)				<b>1027</b>	<b>820314</b>	Filter-Oil
						<b>1028</b>	<b>820851</b>	Adapter-Oil Filter
						<b>1069</b>	<b>820102</b>	Nozzle-Oil
						<b>1080</b>	<b>820145</b>	Gasket-Seal Retainer
						<b>1262</b>	<b>821009</b>	Line-Water
						<b>1300</b>	<b>820042</b>	Screw (Crankshaft Bearing Cap)

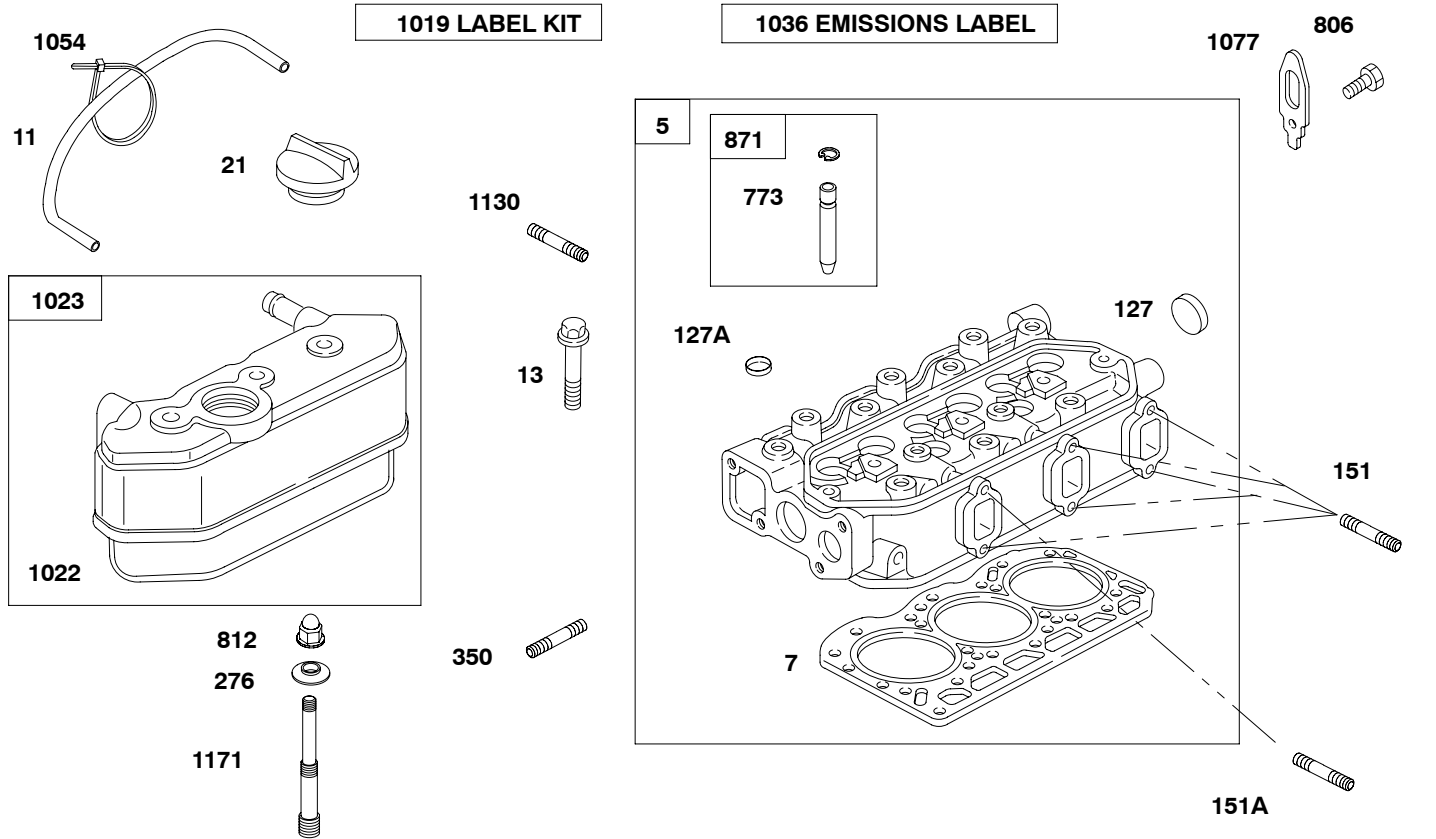
Engine Gasket Set – Reference 358 Page 18  
 Valve Gasket Set – Reference 1095 Page 18



REF. NO.	PART NO.	DESCRIPTION	REF. NO.	PART NO.	DESCRIPTION	REF. NO.	PART NO.	DESCRIPTION
16	825494	Crankshaft	598	821295	Shim-Endplay (Crankshaft) (Standard)	1044	820080	Screw (Flywheel)
23	825303	Flywheel			----- <b>Note</b> -----	1072	820081	Screw (Idle Gear Plate)
25	825626	Piston Assembly (Standard)			821297 Shim-Endplay (Crankshaft) (.005" Oversize)	1073	820117	Plate-Idle Gear
		----- <b>Note</b> -----				1075	820236	Pulley-Crankshaft
		825628 Piston Assembly (.010" Oversize)	653	820079	Screw (Crankshaft Pulley)	1076	821005	Bearing/STD-Rod
26	825512	Ring Set (Standard)	718C	820059	Pin-Locating	1242	825739	Bearing Set/STD-Rod
		----- <b>Note</b> -----	746	820611	Gear-Idler	1243	825506	Bearing Set/010-Rod
		825514 Ring Set (.010" Oversize)	900	820116	Shaft-Gear	1355	821291	Bearing Set/STD-Main
27	820926	Lock-Piston Pin				1356	825508	Bearing Set/010-Main
29	825502	Rod-Connecting						
32	820928	Screw (Connecting Rod)						

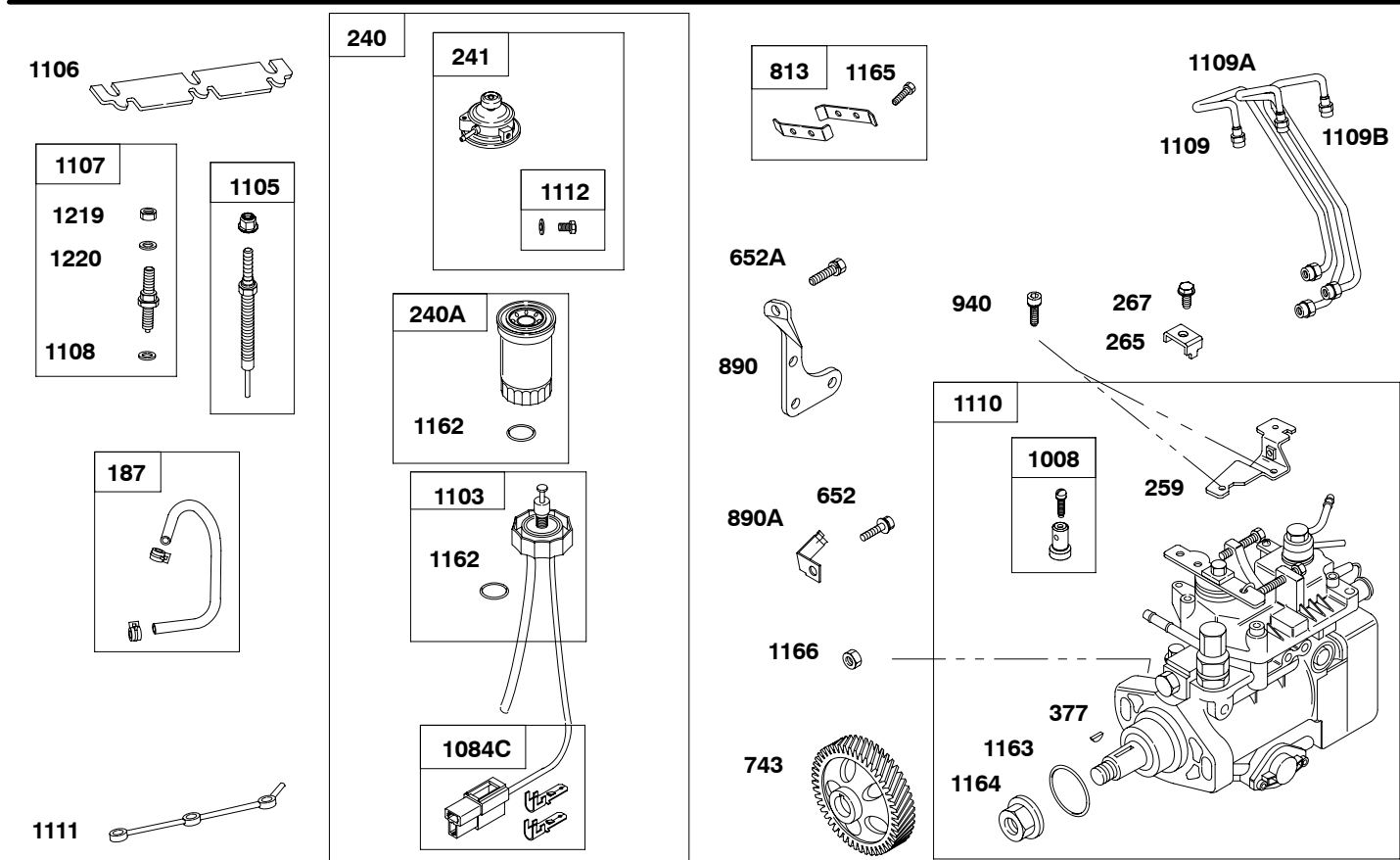
Engine Gasket Set – Reference 358 Page 18  
 Valve Gasket Set – Reference 1095 Page 18

# 58A400



REF. NO.	PART NO.	DESCRIPTION	REF. NO.	PART NO.	DESCRIPTION	REF. NO.	PART NO.	DESCRIPTION
5	825685	Head-Cylinder	276	820064	Washer-Sealing (Rocker Cover)	1022	820150	Gasket-Rocker Cover
7	820930	Gasket-Cylinder Head	350	820078	Stud (Water Pump)	1023	825672	Cover-Rocker (Order Reference 1019, Label Kit, Reference 1036, Emissions Label, for your Model, Type, Trim with Engine Date Code)
11	820932	Tube-Breather (540mm)	773	820130	Retainer (Valve Guide Bushing)	1054	280275	Tie-Cable
13	820934	Screw (Cylinder Head) (10mm)	806	820212	Screw (Lifting Bracket)	1077	820254	Bracket-Lifting
21	825024	Cap-Oil Fill	812	820071	Nut (Rocker Cover)	1130	820015	Stud (Intake Manifold)
127	820004	Plug-Welch	871	825030	Bushing-Valve Guide	1171	820076	Stud (Rocker Cover)
127A	820005	Plug-Welch						
151	820997	Stud (Exhaust Manifold)						
151A	820999	Stud (Exhaust Manifold)						

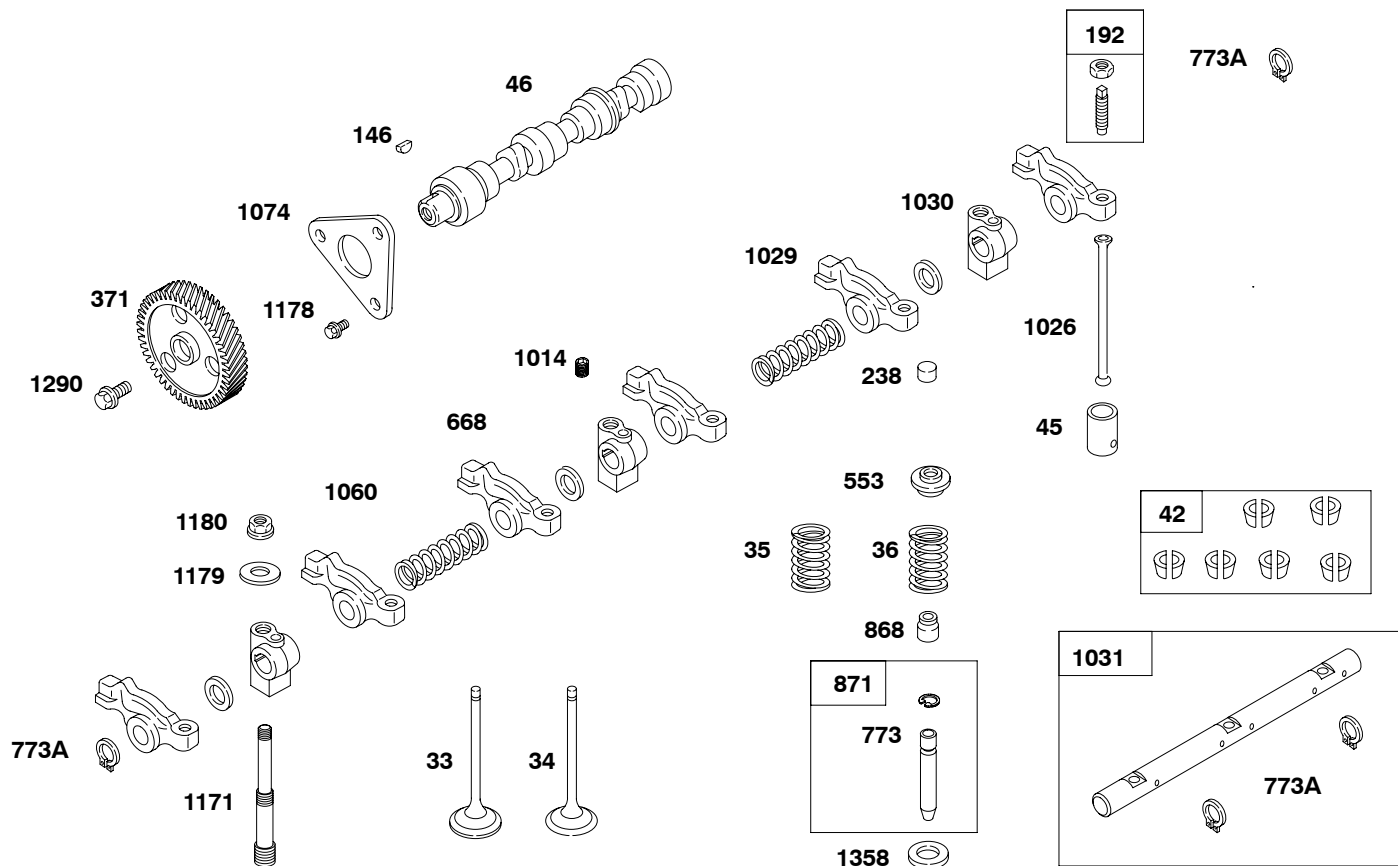
Engine Gasket Set – Reference 358 Page 18  
 Valve Gasket Set – Reference 1095 Page 18



REF. NO.	PART NO.	DESCRIPTION	REF. NO.	PART NO.	DESCRIPTION	REF. NO.	PART NO.	DESCRIPTION
187	825179	Line-Fuel	940	820640	Screw (Casing Clamp Bracket)	1111	820412	Pipe-Fuel Return
240	825219	Filter-Fuel	1008	820467	Clamp-Swivel	1112	825198	Plug-Vent
240A	820311	Filter-Fuel	1084C	825156	Connector-Terminal	1162	820348	Seal-O Ring (Fuel Filter Sensor)
241	821251	Cover-Fuel Filter	1103	820347	Sensor-Fuel Filter	1163	820414	Seal-O Ring (Injection Pump)
259	820634	Bracket-Casing Clamp	1105	825176	Plug-Glow	1164	820419	Nut (Injection Pump)
265	691024	Clamp-Casing	1106	820409	Strap-Glow Plug	1165	820031	Screw (Clamp)
267	820012	Screw (Casing Clamp)	1107	825178	Nozzle-Injector	1166	820417	Nut (Injection Pump)
377	821064	Key-Woodruff	1108	820411	Seat-Injector	1219	820829	Nut (Injector Nozzle)
652	820593	Screw (Support Bracket)	1109	825194	Pipe-Injector # 1	1220	820831	Washer (Injector Nozzle)
652A	820272	Screw (Support Bracket)	1109A	825195	Pipe-Injector # 2			
743	820619	Gear-Drive (Injection Pump)	1109B	825196	Pipe-Injector # 3			
813	825197	Clamp	1110	825606	Pump-Injection			
890	820415	Bracket-Support			----- <b>Note</b> -----			
890A	820479	Bracket-Support Used on Type No(s). 0376.			<b>825518</b> Pump Injection Used on Type No(s). 0376.			

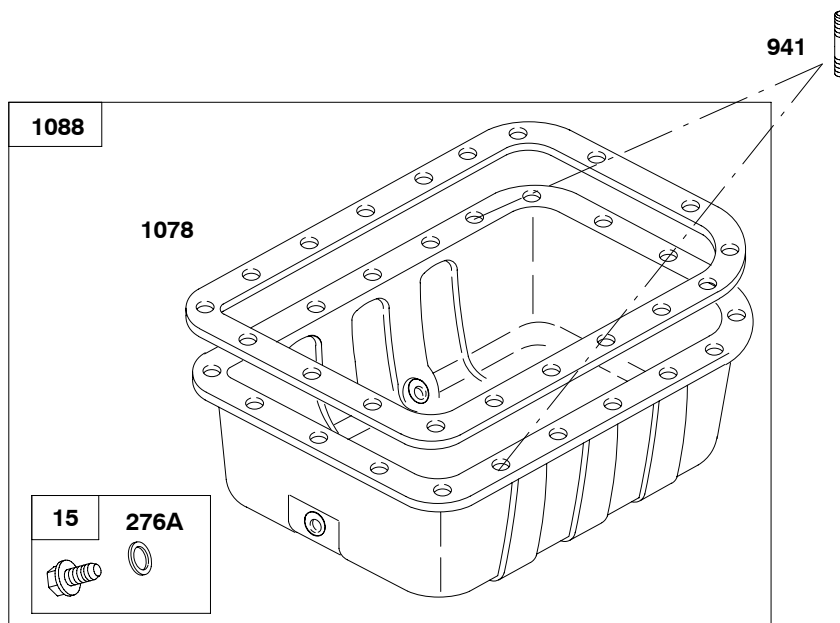
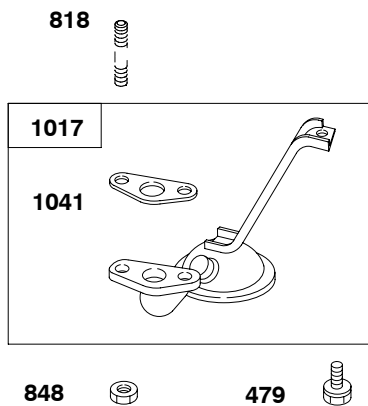
Engine Gasket Set – Reference 358 Page 18  
 Valve Gasket Set – Reference 1095 Page 18

# 58A400



REF. NO.	PART NO.	DESCRIPTION	REF. NO.	PART NO.	DESCRIPTION	REF. NO.	PART NO.	DESCRIPTION
33	820404	Valve-Exhaust	238	821214	Cap-Valve (Used After Code Date 04083100).	1029	820387	Arm-Rocker
34	820403	Valve-Intake				1030	820106	Support-Rocker Arm
35	820406	Spring-Valve (Intake)			----- <b>Note</b> -----	1031	825093	Shaft-Rocker Arm
36	820406	Spring-Valve (Exhaust)			820113 Cap-Valve (Used Before Code Date 04090100).	1060	820044	Spring-Rocker Shaft
42	825082	Keeper-Valve	371	820613	Gear-Cam	1074	820118	Retainer-Camshaft
45	820110	Tappet-Valve	553	820111	Retainer-Valve Spring	1171	820076	Stud (Rocker Cover)
46	820936	Camshaft	668	820065	Spacer (Rocker Arm Shaft)	1178	820032	Screw (Camshaft Retainer)
146	691639	Key-Timing	773	820130	Retainer (Valve Guide Bushing)	1179	820177	Washer (Rocker Arm Support)
192	825688	Adjuster-Rocker Arm (Used After Code Date 04083100).	773A	820003	Retainer	1180	820070	Nut (Rocker Arm Support)
		----- <b>Note</b> -----	871	825030	Bushing-Valve Guide	1290	820075	Screw (Cam Gear)
		825041 Adjuster- Rocker Arm (Used Before Code Date 04090100).	868	820405	Seal-Valve	1358	820112	Seat-Valve Spring
			1014	820105	Screw (Rocker Arm Support)			
			1026	821218	Rod-Push (Used After Code Date 04083100).			
					----- <b>Note</b> -----			
					820109 Rod-Push (Used Before Code Date 04090100).			

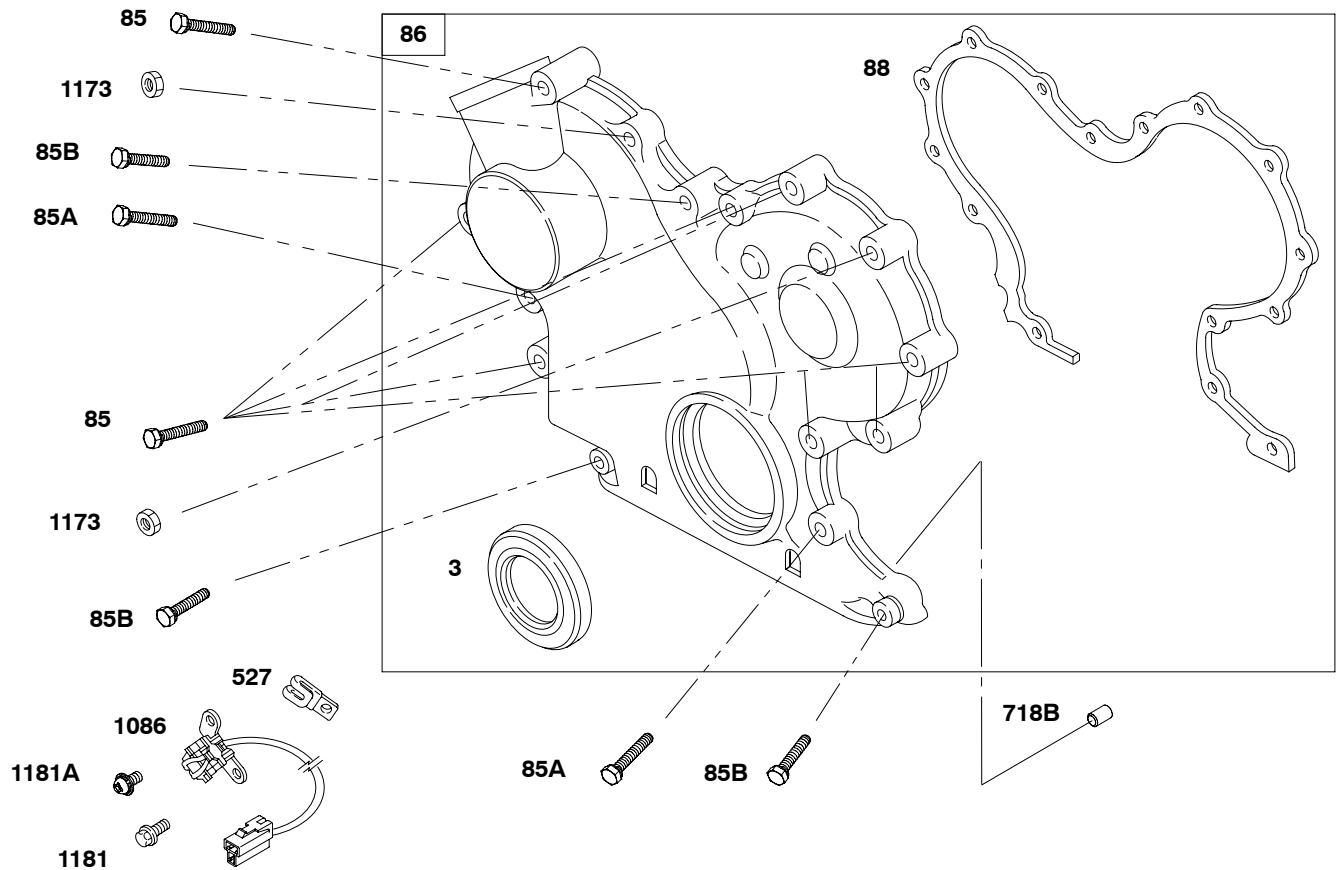
Engine Gasket Set - Reference 358 Page 18  
 Valve Gasket Set - Reference 1095 Page 18



REF. NO.	PART NO.	DESCRIPTION	REF. NO.	PART NO.	DESCRIPTION	REF. NO.	PART NO.	DESCRIPTION
15	825278	Plug-Oil Drain (16mm)	818	820016	Stud (Oil Pump Screen)	1017	825089	Screen-Oil Pump
276A	820582	Washer-Sealing (Oil Drain Plug) (16mm)	848	820069	Nut (Oil Pump Screen)	1039	820034	Screw (Oil Pan)
479	820034	Screw (Oil Pump Screen)	941	820017	Stud (Oil Pan)	1041	820104	Gasket-Oil Pump Screen
			952	820068	Nut (Oil Pan)	1078	820137	Gasket-Oil Pan
						1088	825285	Pan-Oil (Dual Drain) (16mm)

Engine Gasket Set – Reference 358 Page 18  
 Valve Gasket Set – Reference 1095 Page 18

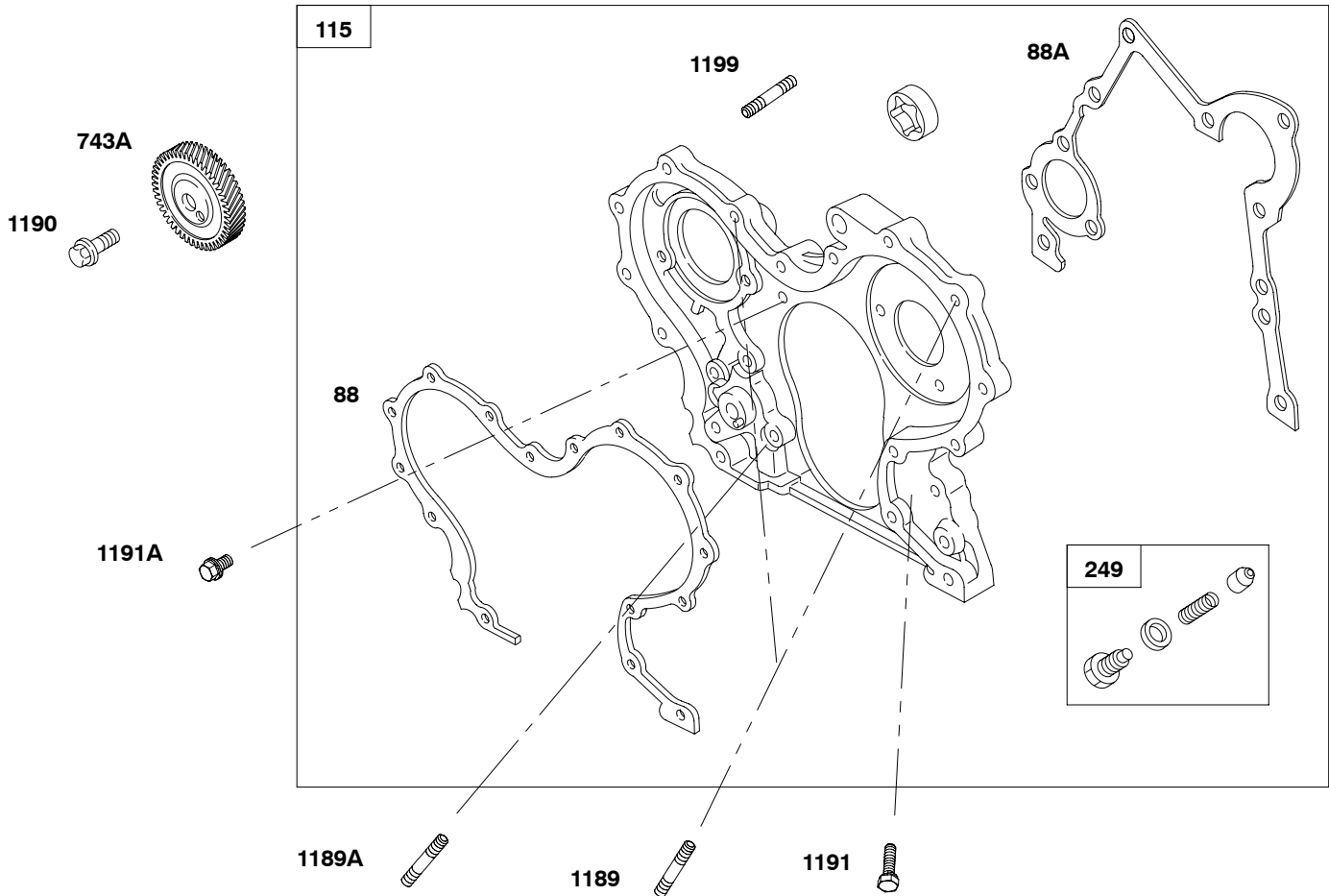
# 58A400



REF. NO.	PART NO.	DESCRIPTION	REF. NO.	PART NO.	DESCRIPTION	REF. NO.	PART NO.	DESCRIPTION
3	821071	Seal-Oil (Magneto Side)	86	825185	Cover-Gear	1173	820069	Nut (Gear Cover)
85	820425	Screw (Gear Cover to Gear Reduction Case)	88	820377	Gasket-Gear Reduction Cover	1181	820029	Screw (Ignition Trigger) Used on Type No(s). 0201, 0234.
85A	820029	Screw (Gear Cover to Gear Reduction Case)	527	820047	Clamp-Tube Used on Type No(s). 0201, 0234.	1181A	820013	Screw (Ignition Trigger) Used on Type No(s). 0201, 0234.
85B	820027	Screw (Gear Cover to Gear Reduction Case)	1086	825009	Trigger-Ignition Used on Type No(s). 0201, 0234.			

Engine Gasket Set – Reference 358 Page 18  
Valve Gasket Set – Reference 1095 Page 18

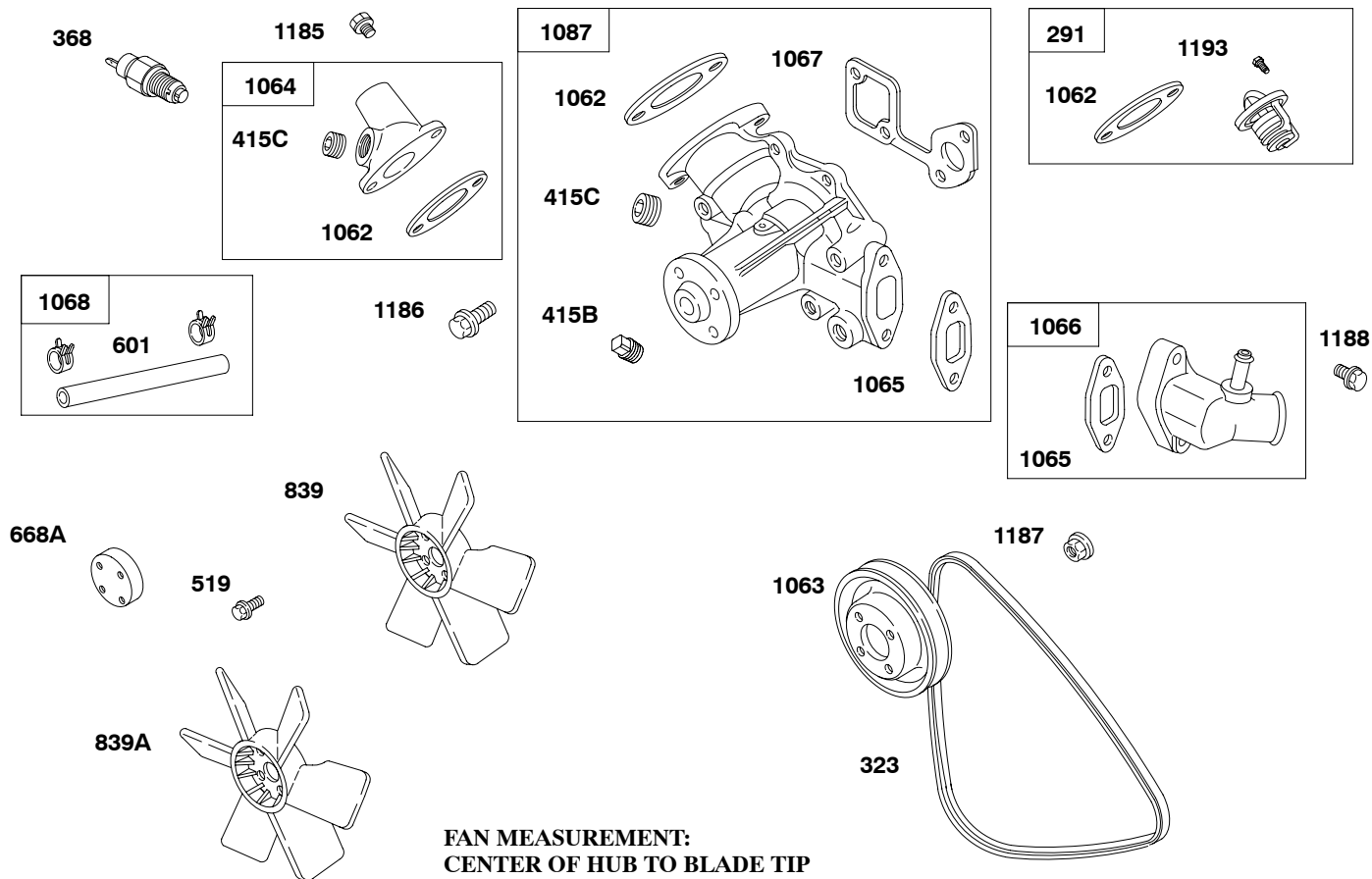




REF. NO.	PART NO.	DESCRIPTION	REF. NO.	PART NO.	DESCRIPTION	REF. NO.	PART NO.	DESCRIPTION
88	820377	Gasket-Gear Reduction Cover	743A	820615	Gear-Drive (Gear Housing)	1190	820180	Screw (Drive Gear)
88A	820155	Gasket-Gear Reduction Cover	1189	820156	Stud (Gear Housing)	1191	820030	Screw (Gear Housing)
115	825186	Housing-Gear	1189A	820016	Stud (Gear Housing)	1191A	820033	Screw (Gear Housing)
249	825032	Valve-Pressure Relief				1199	820426	Stud (Injection Pump)

Engine Gasket Set – Reference 358 Page 18  
 Valve Gasket Set – Reference 1095 Page 18

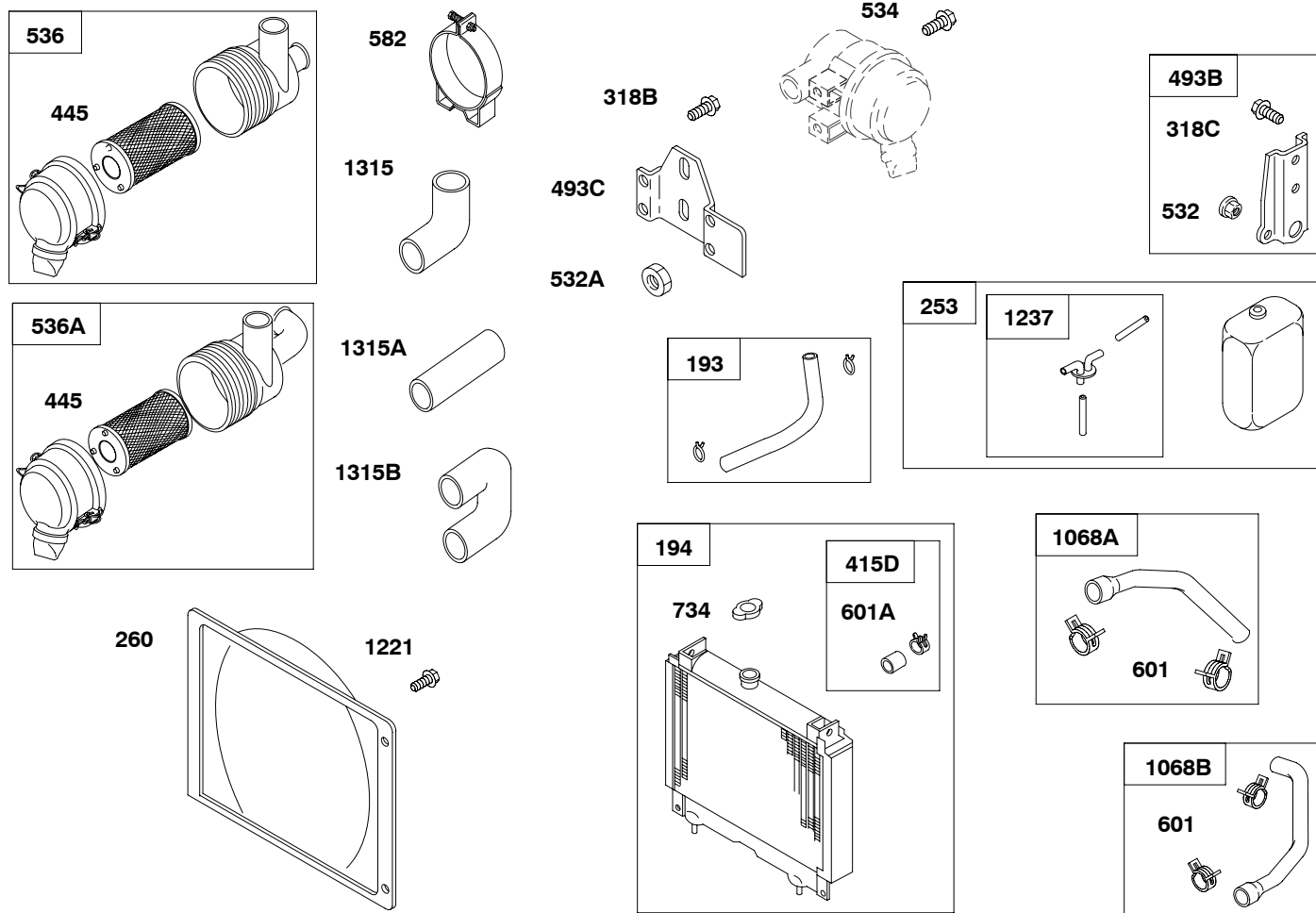
# 58A400



**FAN MEASUREMENT:  
CENTER OF HUB TO BLADE TIP**

REF. NO.	PART NO.	DESCRIPTION	REF. NO.	PART NO.	DESCRIPTION	REF. NO.	PART NO.	DESCRIPTION
291	825064	Thermostat	601	820256	Clamp-Hose	1062	820093	Gasket-Outlet Housing
323	821075	Belt-Vee (940mm)	668A	821218	Spacer (Radiator Fan) Used on Type No(s). 0201, 0210, 0376.	1063	820095	Pulley-Pump
368	820208	Switch-Water Temperature	839	825446	Fan-Radiator (350mm) Used on Type No(s). 0210, 0376.	1064	825519	Housing-Outlet
415B	820182	Plug (Water Pump)	839A	821013	Fan-Radiator (340mm) Used on Type No(s). 0205, 0231, 0234.	1065	820098	Gasket-Inlet Housing
415C	820052	Plug (Outlet Housing) (Water Pump)			<b>Note</b> ----- 825644 Fan-Radiator (360mm) Used on Type No(s). 0201, 0209. 825538 Fan-Radiator (310mm) Used on Type No(s). 0377.	1066	825520	Housing-Inlet
519	820030	Screw (Radiator Fan) Used on Type No(s). 0201, 0209, 0210, 0376.				1067	820100	Gasket-Water Pump
		<b>Note</b> ----- 820034 Screw (Radiator Fan) Used on Type No(s). 0205, 0231, 0234 0377.				1068	825045	Hose/Clamp Assembly
						1087	825639	Pump-Water
						1185	820031	Screw (Outlet Housing)
						1186	820022	Screw (Water Pump)
						1187	820181	Nut (Water Pump)
						1188	820031	Screw (Inlet Housing)
						1193	820185	Screw (Thermostat)

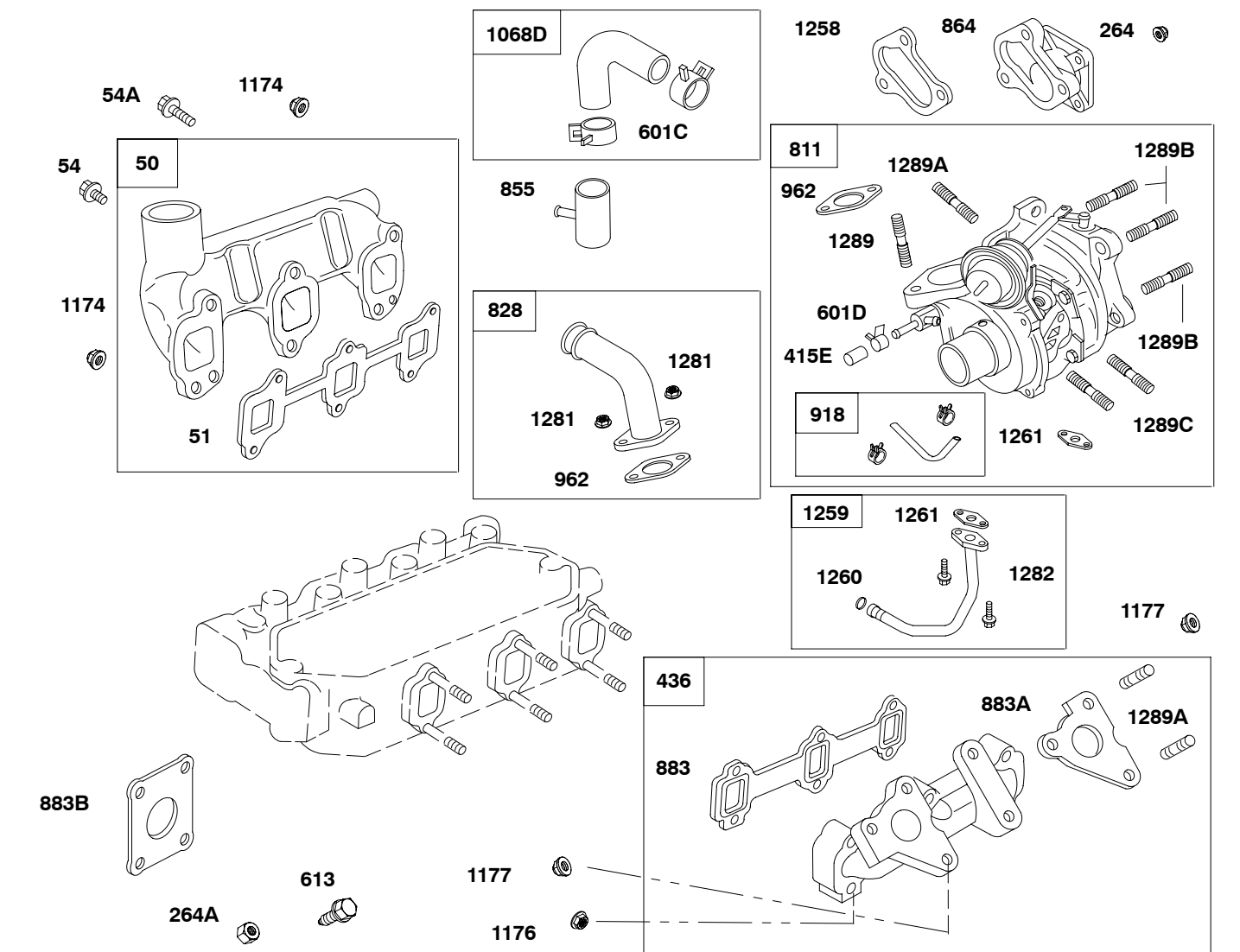
Engine Gasket Set – Reference 358 Page 18  
Valve Gasket Set – Reference 1095 Page 18



REF. NO.	PART NO.	DESCRIPTION	REF. NO.	PART NO.	DESCRIPTION	REF. NO.	PART NO.	DESCRIPTION
193	825697	Hose-Reserve Tank	532	820011	Nut (Mounting Bracket)	1068B	825671	Hose/Clamp Assembly Used on Type No(s). 0201, 0234.
194	825645	Radiator Used on Type No(s). 0201, 0231, 0234.	532A	820070	Nut (Mounting Bracket)			----- <b>Note</b> ----- <b>825133</b> Hose/Clamp Assembly Used on Type No(s). 0210.
253	825462	Tank-Reserve	534	820273	Screw (Air Cleaner)	1221	820636	Screw (Fan Shroud) Used on Type No(s). 0234.
260	821019	Shroud-Fan (375mm) Used on Type No(s). 0201, 0234.	536	825117	Cleaner-Air (With Vacuum Adaptor)	1237	825461	Cap/Hose-Reserve
318B	820212	Screw (Mounting Bracket)	536A	825118	Cleaner-Air (90 Degree Elbow With Vacuum Adaptor)	1315	820554	Adapter-Air Cleaner
318C	820034	Screw (Mounting Bracket)	582	820230	Clamp-Air Cleaner	1315A	820555	Adapter-Air Cleaner
415D	825075	Plug (Radiator)	601	820256	Clamp-Hose	1315B	820556	Adapter-Air Cleaner
445	820263	Filter-Air Cleaner Cartridge	734	820258	Cap-Radiator			
493B	825106	Bracket-Mounting (Reserve Tank)	1068A	825557	Hose/Clamp Assembly Used on Type No(s). 0201, 0234.			
493C	820195	Bracket-Mounting (Air Cleaner)			----- <b>Note</b> ----- <b>825134</b> Hose/Clamp Assembly Used on Type No(s). 0210.			

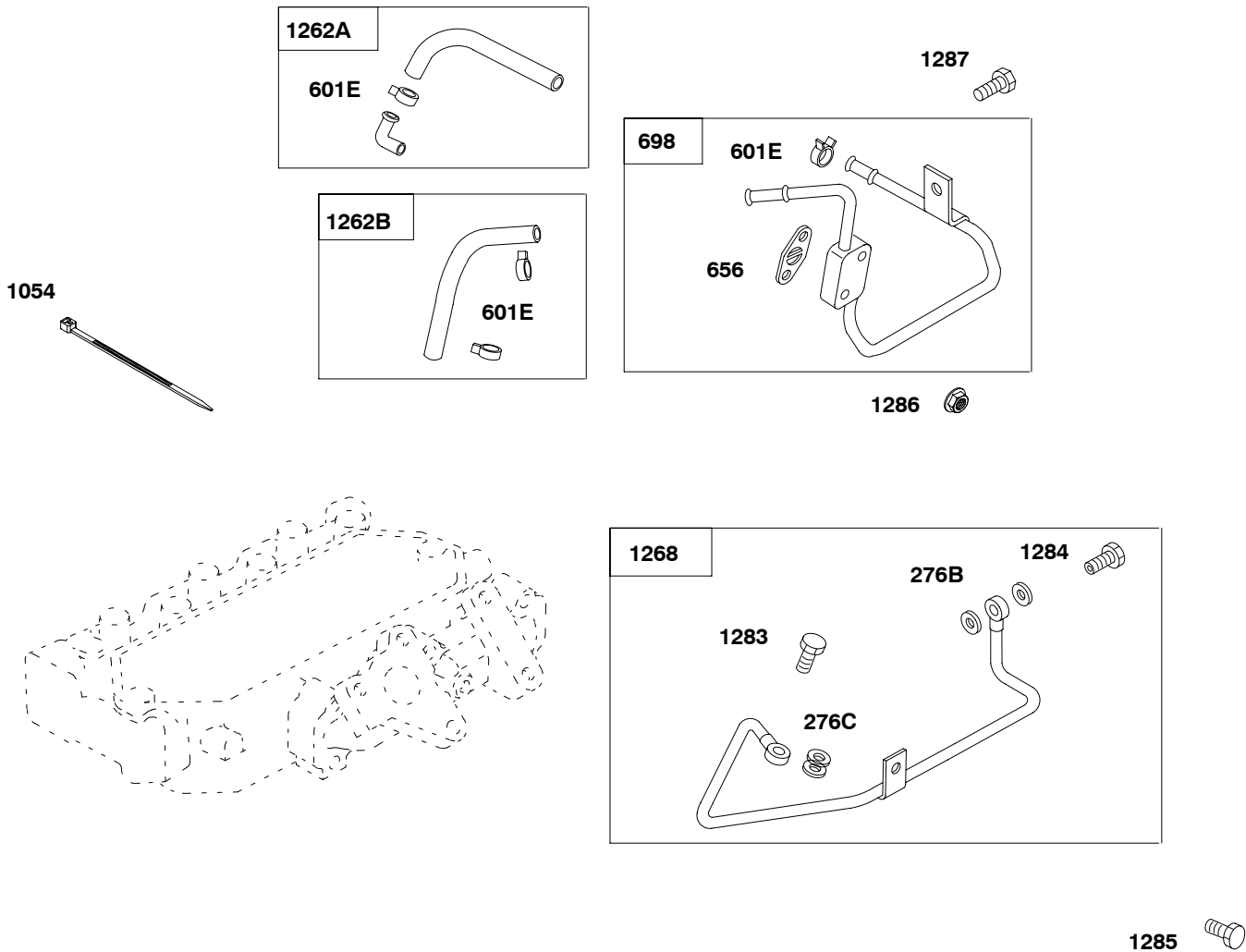
Engine Gasket Set - Reference 358 Page 18  
Valve Gasket Set - Reference 1095 Page 18

# 58A400



REF. NO.	PART NO.	DESCRIPTION	REF. NO.	PART NO.	DESCRIPTION	REF. NO.	PART NO.	DESCRIPTION
50	825530	Manifold-Intake	855	820942	Adapter-Air Cleaner	1259	825535	Pipe-Oil Outlet
51	820407	Gasket-Intake	864	825537	Adapter-Muffler	1260	820975	Seal-O Ring (Oil Outlet Pipe)
54	820031	Screw (Intake Manifold)	883	820817	Gasket-Exhaust (Manifold)	1261	820973	Gasket-Oil Outlet
54A	820408	Screw (Intake Manifold)	883A	820967	Gasket-Exhaust (Turbo Charger)	1281	820181	Nut (Air Inlet Pipe)
264	820969	Nut (Muffler Adapter)	883B	821001	Gasket-Exhaust	1282	820971	Screw (Oil Outlet Pipe)
264A	820178	Nut (Muffler Adapter)	918	825542	Hose-Vacuum	1289	820981	Stud (Turbo Charger)
415E	820995	Plug	962	820988	Gasket-Air Inlet Pipe	1289A	820553	Stud (Turbo Charger)
436	825531	Manifold-Exhaust	1068D	825543	Hose/Clamp Assembly	1289B	820983	Stud (Turbo Charger)
601C	820944	Clamp-Hose	1174	820069	Nut (Intake Manifold)	1289C	820985	Stud (Turbo Charger)
601D	820993	Clamp-Hose	1176	820178	Nut (Exhaust Manifold)			
613	820023	Screw (Muffler)	1177	820178	Nut (Muffler)			
811	825533	Charger-Turbo	1258	820990	Gasket-Muffler Adapter			
828	825536	Pipe-Air Inlet						

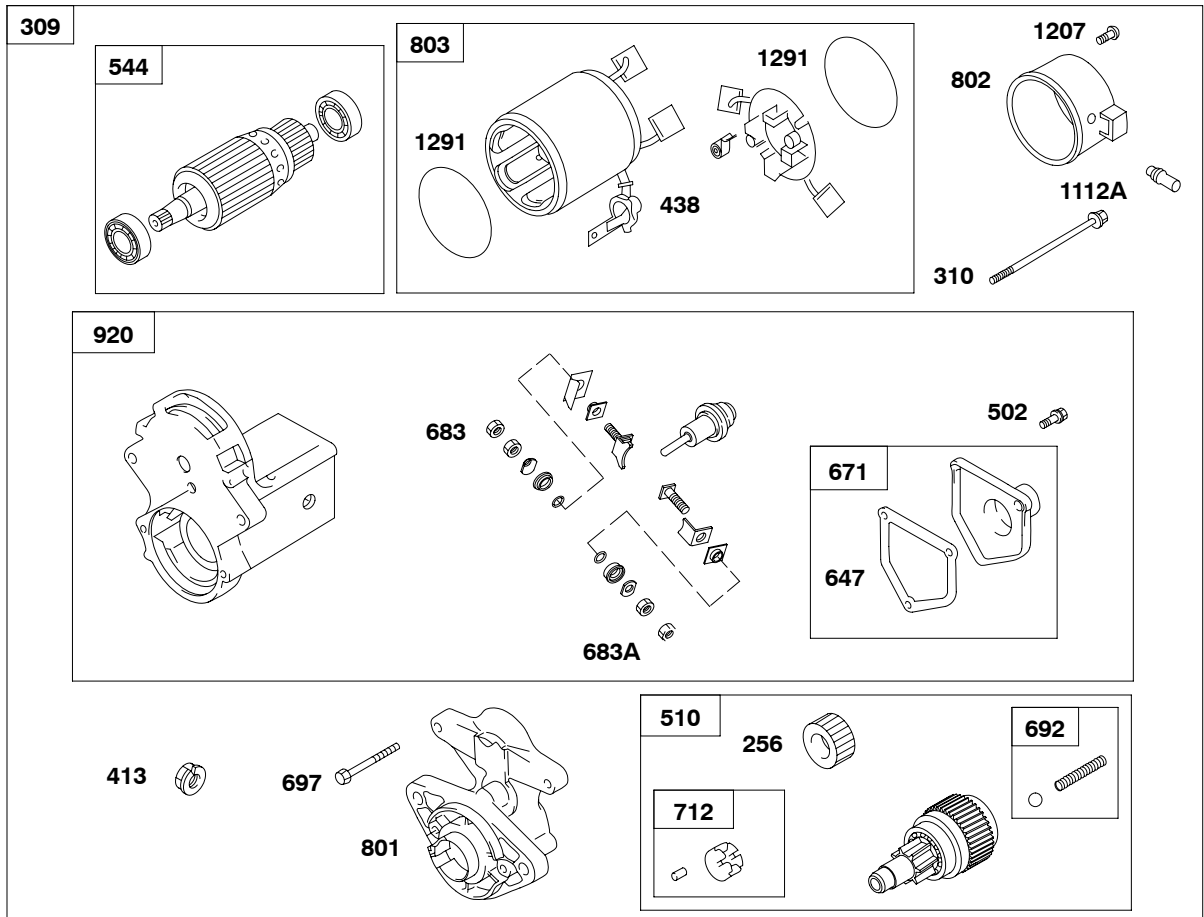
Engine Gasket Set - Reference 358 Page 18  
 Valve Gasket Set - Reference 1095 Page 18



REF. NO.	PART NO.	DESCRIPTION	REF. NO.	PART NO.	DESCRIPTION	REF. NO.	PART NO.	DESCRIPTION
276B	820950	Washer-Sealing (Oil Inlet Pipe)	1054	280275	Tie-Cable	1285	820023	Screw (Oil Inlet Pipe)
276C	820952	Washer-Sealing (Oil Inlet Pipe)	1262A	825540	Line-Water	1286	820069	Nut (Water Pipe)
601E	820960	Clamp-Hose	1262B	825541	Line-Water	1287	820023	Screw (Water Pipe)
656	820962	Gasket-Water Pipe	1268	825539	Pipe-Oil Inlet			
698	825558	Pipe-Water	1283	820954	Screw (Oil Inlet Pipe)			
			1284	820948	Screw (Oil Inlet Pipe)			

Engine Gasket Set – Reference 358 Page 18  
 Valve Gasket Set – Reference 1095 Page 18

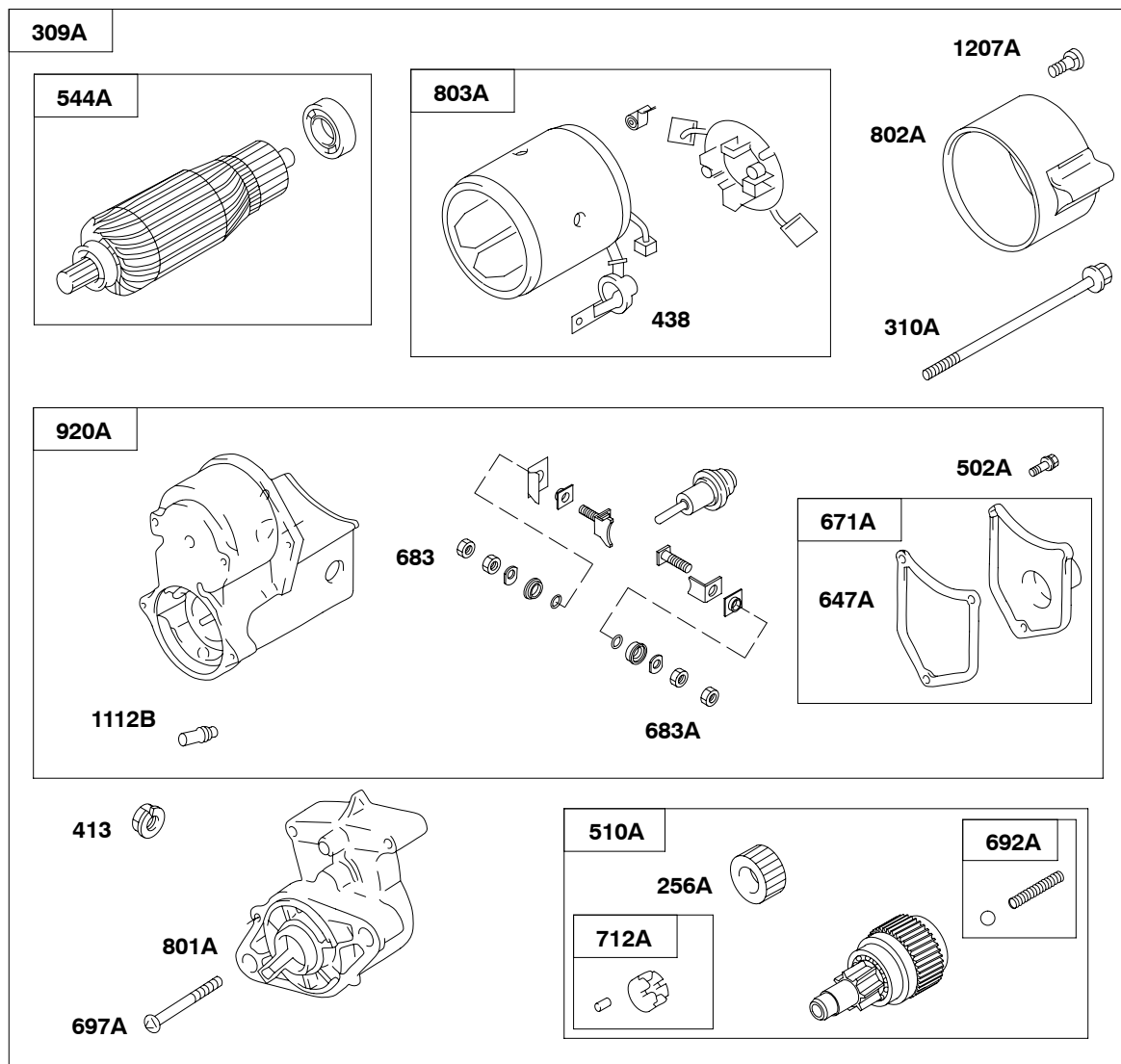
1.2 KW PURPLE/BROWN LABEL



REF. NO.	PART NO.	DESCRIPTION	REF. NO.	PART NO.	DESCRIPTION	REF. NO.	PART NO.	DESCRIPTION
256	820767	Gear–Starter Drive	683	820723	Nut (Starter Solenoid) (Terminal)	802	821231	Cap–End (Used After Code Date 05022800).
309	825700	Motor–Starter	683A	820721	Nut (Starter Solenoid) (Terminal)	----- <b>Note</b> -----		
310	820773	Bolt (Starter Motor)		692	825402	Spring–Detent	803	825423
413	820067	Nut (Starter Motor)	697	820777	Screw (Drive Cap)	920	825702	Solenoid–Starter (Used After Code Date 05022800).
438	820725	Boot–Terminal	712	825401	Roller–Clutch	----- <b>Note</b> -----		
502	820763	Screw (Solenoid Cover)	801	821228	Cap–Drive (Used After Code Date 05022800).	825410	825410	Solenoid– Starter (Used Before Code Date 05030100).
510	825406	Drive–Starter	----- <b>Note</b> -----		1009A	820019	Screw (Starter Motor)	
544	825404	Armature–Starter	825408 Cap–Drive (Used Before Code Date 05030100).		1112A	820779	Plug–Vent	
647	820719	Gasket–Solenoid Cover			1207	820775	Screw (End Cap)	
671	825703	Cover–Solenoid (Used After Code Date 05022800).			1291	820769	Seal–O Ring (Starter Housing)	
		----- <b>Note</b> ----- 825422 Cover– Solenoid (Used Before Code Date 05030100).						

Engine Gasket Set – Reference 358 Page 18  
Valve Gasket Set – Reference 1095 Page 18

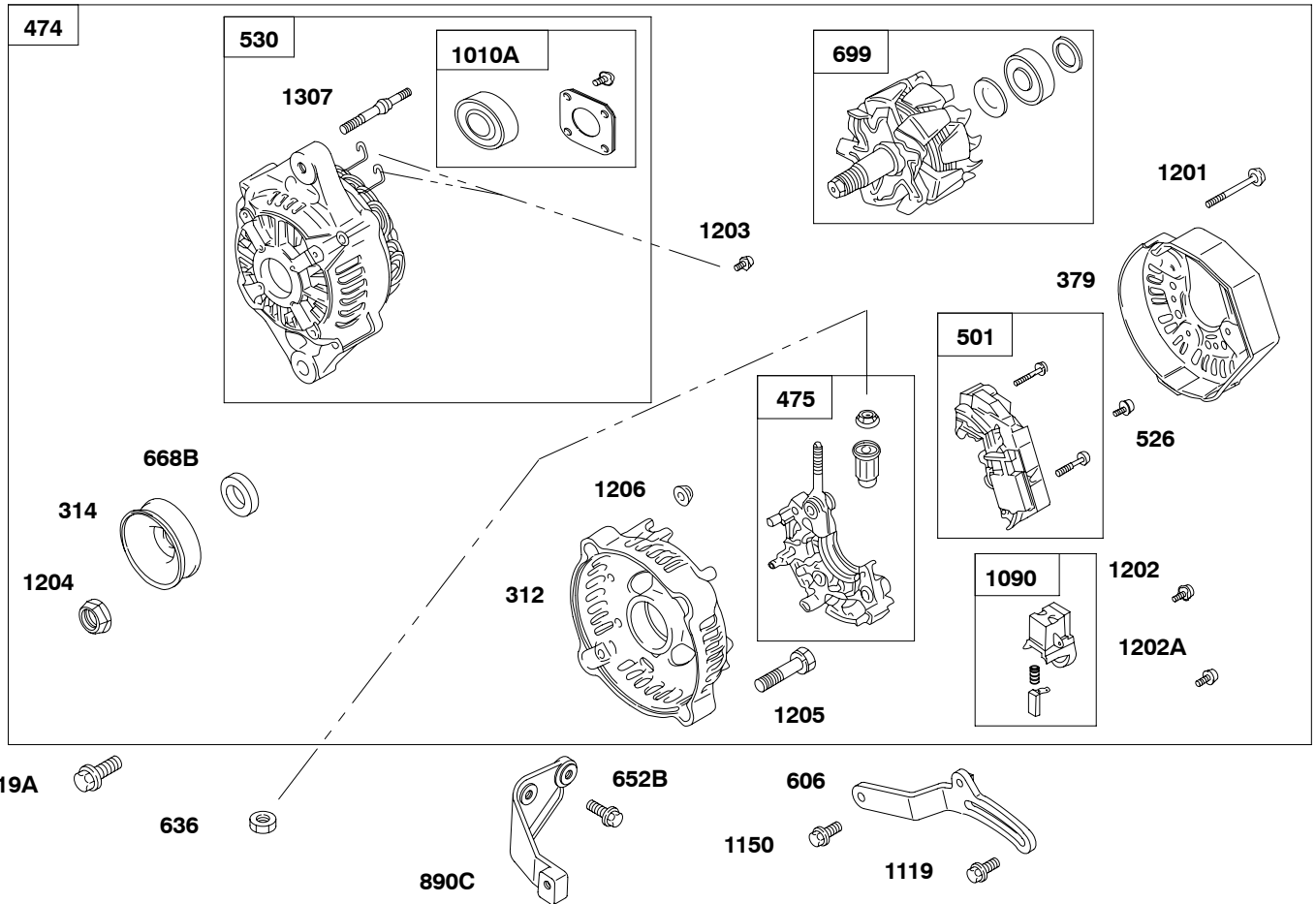
1.0 KW GREEN/BLUE LABEL



REF. NO.	PART NO.	DESCRIPTION	REF. NO.	PART NO.	DESCRIPTION	REF. NO.	PART NO.	DESCRIPTION
256A	820745	Gear-Starter Drive	510A	825394	Drive-Starter	801A	825396	Cap-Drive
309A		Motor-Starter (For Replacement Starter Motor, Order Reference 309)	544A	825392	Armature-Starter	802A	820743	Cap-End
310A	820755	Bolt (Starter Motor)	647A	820733	Gasket-Solenoid Cover	803A	825399	Housing-Starter (Includes Brushes, Springs and Brush Retainer)
413	820067	Nut (Starter Motor)	671A	825400	Cover-Solenoid	892	692318	Switch-Key
438	820725	Boot-Terminal	683	820723	Nut (Starter Solenoid) (Terminal)	920A	825398	Solenoid-Starter
502A	820739	Screw (Solenoid Cover)	683A	820721	Nut (Starter Solenoid) (Terminal)	1009A	820019	Screw (Starter Motor)
			692A	825425	Spring-Detent	1082	820455	Relay-Starter
			697A	820751	Screw (Drive Cap)	1112B	820737	Plug-Vent
			712A	825424	Roller-Clutch	1207A	820754	Screw (End Cap)

Engine Gasket Set - Reference 358 Page 18  
 Valve Gasket Set - Reference 1095 Page 18

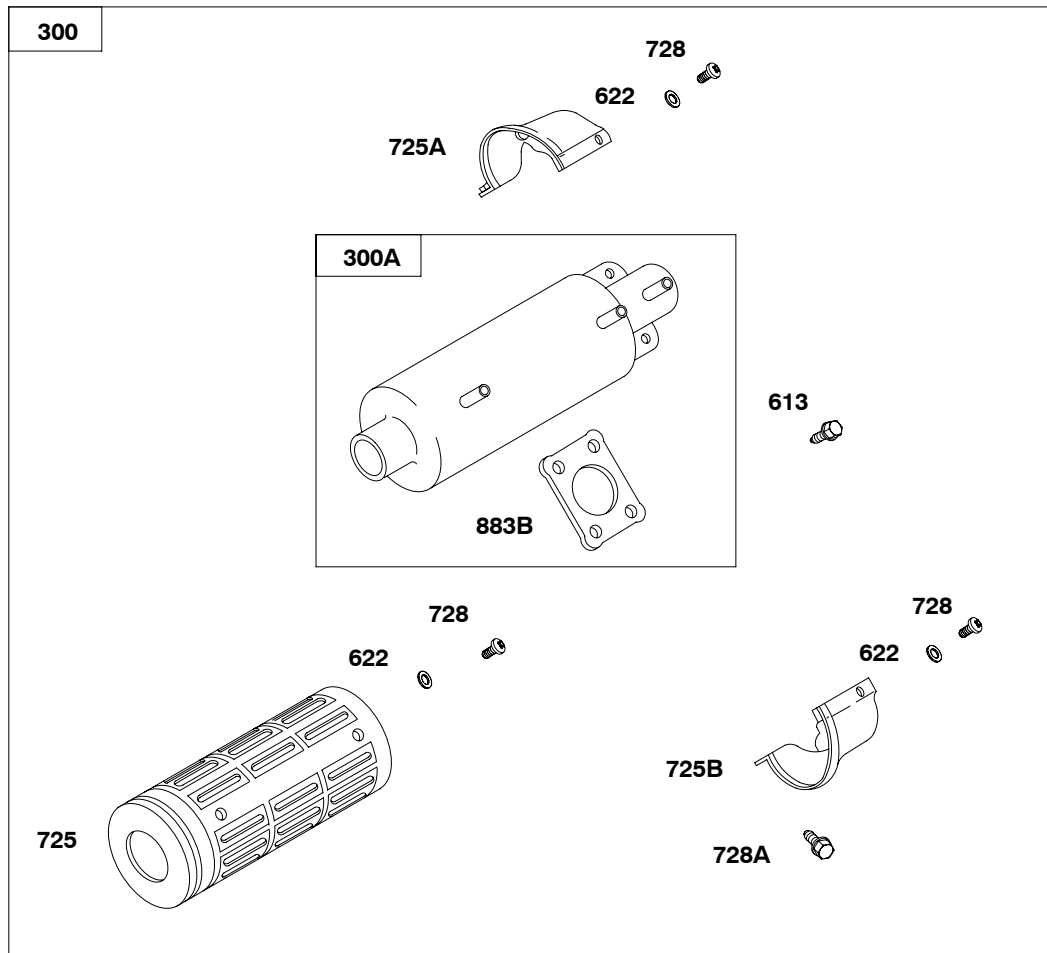
40 AMP



REF. NO.	PART NO.	DESCRIPTION	REF. NO.	PART NO.	DESCRIPTION	REF. NO.	PART NO.	DESCRIPTION
312	820938	Housing-Brush End	668B	820713	Spacer	1201	820715	Screw (Brush Cover)
314	820711	Pulley-Alternator	699	825390	Rotor Assembly	1202	820701	Screw (Brush Retainer)
379	820703	Cover-Brush	890C	820213	Bracket-Support	1202A	820702	Screw (Brush Retainer)
474	825524	Alternator	1010A	825384	Retainer-Bearing	1203	820702	Screw (Stator Wire)
475	825385	Rectifier	1090	825387	Retainer-Brush	1204	820705	Nut (Alternator Pulley)
501	825388	Regulator	1119	820483	Screw (Alternator)	1205	820707	Screw (Brush End Housing)
526	820702	Screw (Regulator)	1119A	820270	Screw (Alternator)	1206	820709	Nut (Brush End Housing)
530	825526	Housing-Drive End	1150	820023	Screw (Adjusting Strap)	1307	820690	Stud (Alternator)
606	820819	Strap-Adjusting						
636	820069	Nut (Starting Switch)						
652B	820275	Screw (Support Bracket)						

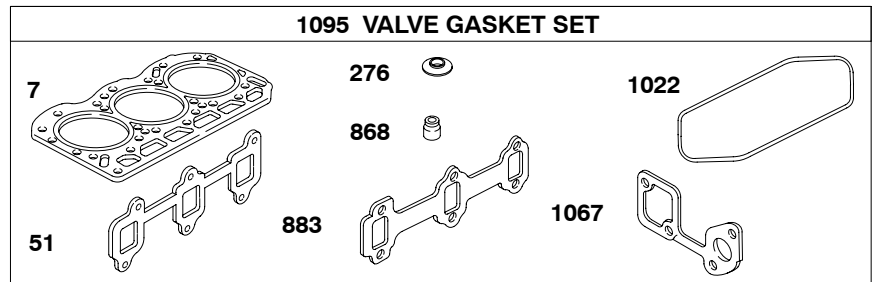
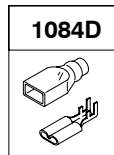
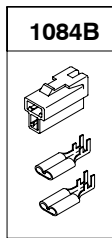
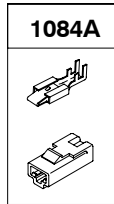
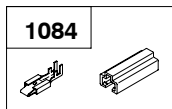
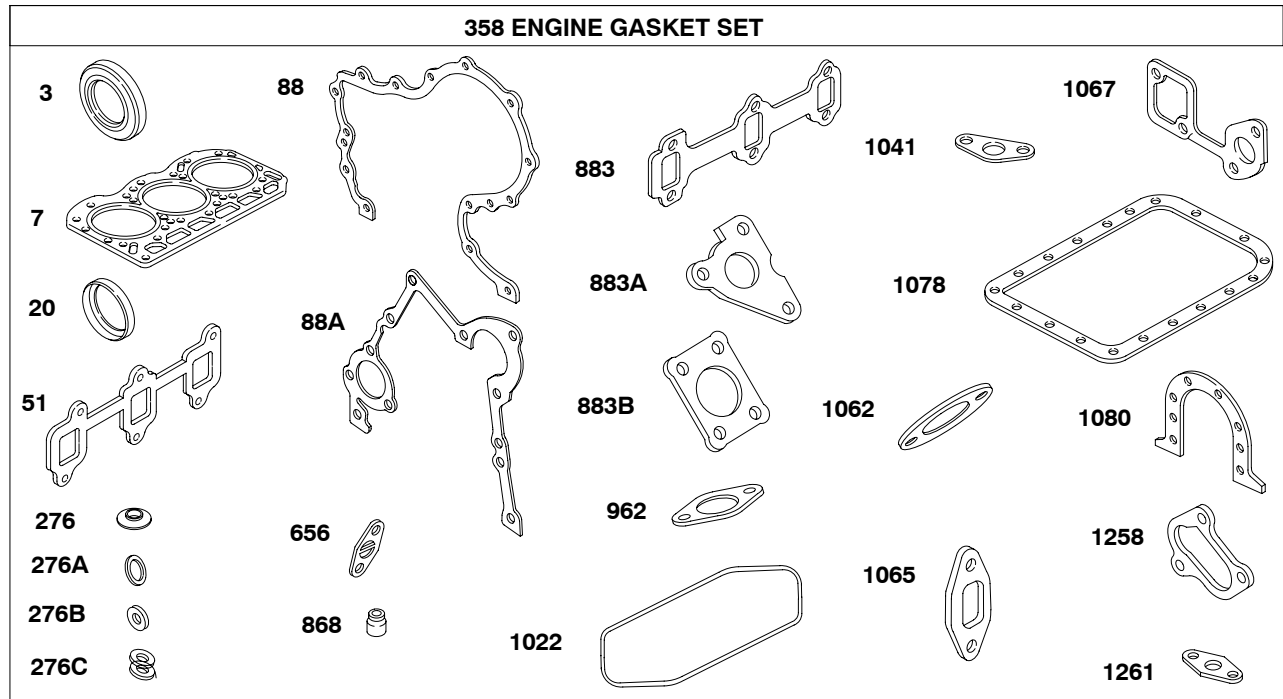
Engine Gasket Set - Reference 358 Page 18  
 Valve Gasket Set - Reference 1095 Page 18





REF. NO.	PART NO.	DESCRIPTION	REF. NO.	PART NO.	DESCRIPTION	REF. NO.	PART NO.	DESCRIPTION
300	825200	Muffler Used on Type No(s). 0201, 0234.	622	820631	Washer (Heat Shield) Used on Type No(s). 0201, 0234.	728	821011	Screw (Heat Shield) Used on Type No(s). 0201, 0234.
300A	825550	Muffler Used on Type No(s). 0201, 0234.	725	820628	Shield-Heat Used on Type No(s). 0201, 0234.	728A	820431	Screw (Heat Shield) Used on Type No(s). 0201, 0234.
613	820023	Screw (Muffler) Used on Type No(s). 0201, 0234.	725A	820630	Shield-Heat Used on Type No(s). 0201, 0234.	883B	821001	Gasket-Exhaust Used on Type No(s). 0201, 0234.
			725B	820629	Shield-Heat Used on Type No(s). 0201, 0234.			


Engine Gasket Set – Reference 358 Page 18  
 Valve Gasket Set – Reference 1095 Page 18




REF. NO.	PART NO.	DESCRIPTION	REF. NO.	PART NO.	DESCRIPTION	REF. NO.	PART NO.	DESCRIPTION
3	821071	Seal-Oil (Magneto Side)	358	825527	Gasket Set-Engine	1080	820145	Gasket-Seal Retainer
7	820930	Gasket-Cylinder Head	656	820962	Gasket-Water Pipe	1084	825154	Connector-Terminal
20	821073	Seal-Oil (PTO Side)	868	820405	Seal-Valve	1084A	825266	Connector-Terminal
51	820407	Gasket-Intake	883	820817	Gasket-Exhaust (Manifold)	1084B	825157	Connector-Terminal
88	820377	Gasket-Gear Reduction Cover	883A	820967	Gasket-Exhaust (Turbo Charger)	1084D	825160	Connector-Terminal
88A	820155	Gasket-Gear Reduction Cover	883B	821001	Gasket-Exhaust	1095	825528	Gasket Set-Valve
276	820064	Washer-Sealing (Rocker Cover)	962	820988	Gasket-Air Inlet Pipe	1258	820890	Gasket-Muffler Adapter
276A	820582	Washer-Sealing (Oil Drain Plug) (16mm)	1022	820150	Gasket-Rocker Cover	1261	820973	Gasket-Oil Outlet
276B	820950	Washer-Sealing (Oil Inlet Pipe)	1041	820104	Gasket-Oil Pump Screen			
276C	820952	Washer-Sealing (Oil Inlet Pipe)	1062	820093	Gasket-Outlet Housing			
			1065	820098	Gasket-Inlet Housing			
			1067	820100	Gasket-Water Pump			
			1078	820137	Gasket-Oil Pan			

Engine Gasket Set - Reference 358 Page 18  
 Valve Gasket Set - Reference 1095 Page 18

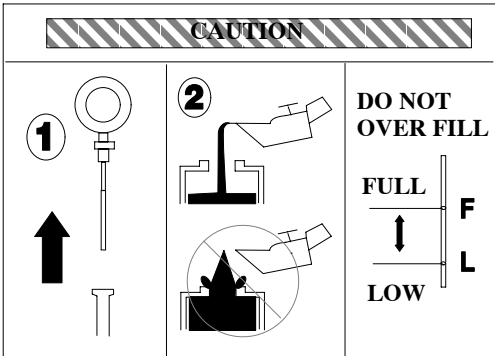
1019



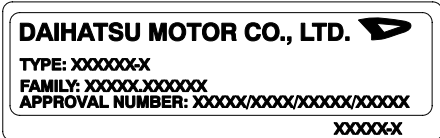
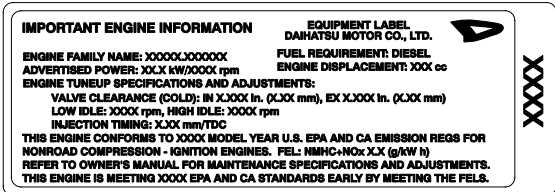
1040



1319



1036

1058 OPERATOR'S MANUAL

1330 REPAIR MANUAL

REF. NO.	PART NO.	DESCRIPTION	REF. NO.	PART NO.	DESCRIPTION	REF. NO.	PART NO.	DESCRIPTION
1019	825634	Kit-Label	1036		Label-Emissions (Available from Authorized Briggs & Stratton Dealer)	1040	820290	Plate-Trim
						1058	820853	Operator's Manual
						1319	820891	Label-Warning
						1330	MS1055	Repair Manual (Refer to Repair Manual For Assembly and Torque Requirements)

Engine Gasket Set – Reference 358 Page 18  
 Valve Gasket Set – Reference 1095 Page 18