



**582400**

# Illustrated Parts List

## Model Series

**582400  
950cc  
DIESEL**

### TYPE NUMBERS

0105, 0125, 0130, 0131, 0205, 0209, 0211,  
0219, 0221, 0222, 0224, 0225, 0229, 0230,  
0231, 0232, 0233, 0235, 0376, 0377, 0381.

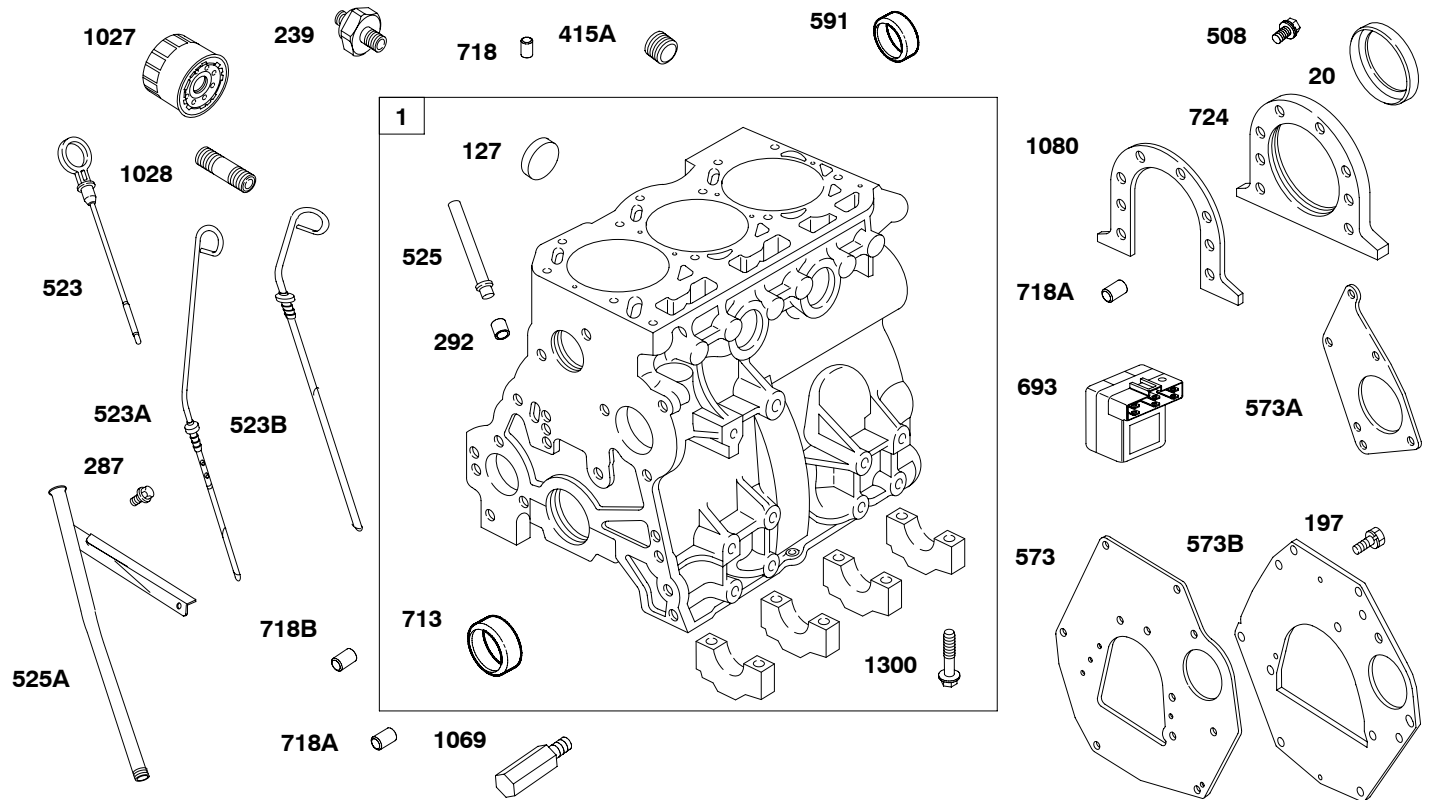
**REFER TO REPAIR MANUAL MS1055 FOR ASSEMBLY AND TORQUE REQUIREMENTS.**

PRINTED IN U.S.A.



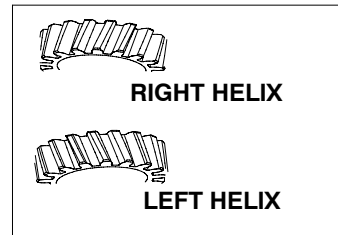
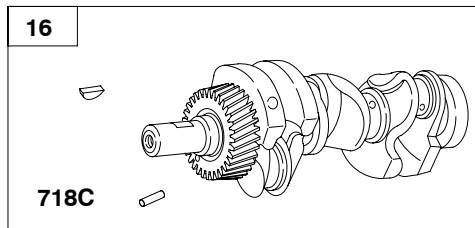
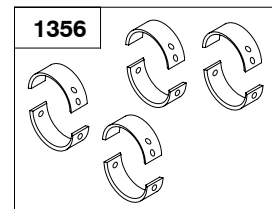
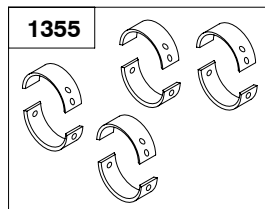
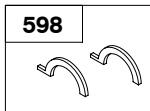
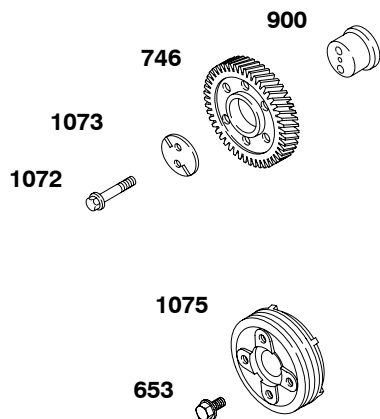
COPYRIGHT by BRIGGS & STRATTON DAIHATSU LLC  
All rights reserved. No part of this material may be reproduced or transmitted,  
in any form or by any means, electronic or mechanical, including photocopying,  
recording or by any information storage and retrieval system, without permission  
in writing from Briggs & Stratton DAIHATSU LLC.

# 582400



REF. NO.	PART NO.	DESCRIPTION	REF. NO.	PART NO.	DESCRIPTION	REF. NO.	PART NO.	DESCRIPTION
1	825597	Cylinder Assembly (Used After Code Date 99063000). (9mm Head Bolts) ----- <b>Note</b> ----- 825597 Cylinder Assembly (9mm Head Bolts) (Used After Code Date 98123100 and Before Code Date 99070100). Used on Type No(s). 0105, 0125, 0130, 0131, 0205, 0225, 0230, 0231.	20	821073	Seal-Oil (PTO Side)	525	820144	Tube-Dipstick
			127	820004	Plug-Welch	525A	820666	Tube-Dipstick
			197	820176	Screw (Back Plate)	573	820170	Plate-Back
			239	821135	Switch-Oil Pressure	573A	820147	Plate-Back
			287	820273	Screw (Dipstick Tube)	573B	820917	Plate-Back
			292	820662	Collar-Dipstick Tube	591	821069	Plug-Camshaft
			415A	820375	Plug (Cylinder)	693	820373	Module-Pre Heat
			508	820031	Screw (Seal Retainer)	713	821299	Bushing-Camshaft
			523	821158	Dipstick	718	820063	Pin-Locating
			523A	820572	Dipstick Used on Type No(s). 0125, 0222, 0232, 0376.	718A	820062	Pin-Locating
			523B	820643	Dipstick Used on Type No(s). 0233, 0377. ----- <b>Note</b> ----- 821224 Dipstick Used on Type No(s). 0381.	718B	820061	Pin-Locating
						724	820146	Retainer-Seal
						1027	820314	Filter-Oil
						1028	820851	Adapter-Oil Filter
						1069	820102	Nozzle-Oil
						1080	820145	Gasket-Seal Retainer
						1300	820042	Screw (Crankshaft Bearing Cap)

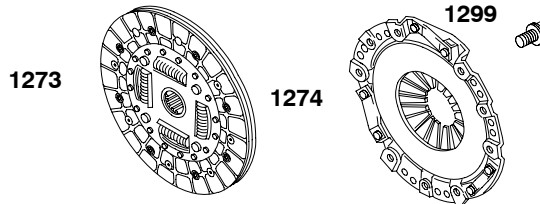
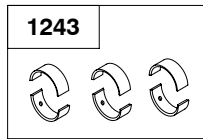
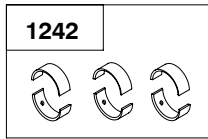
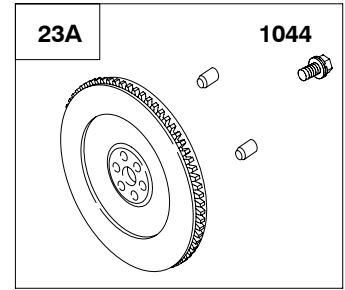
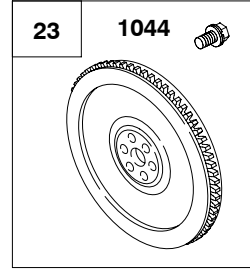
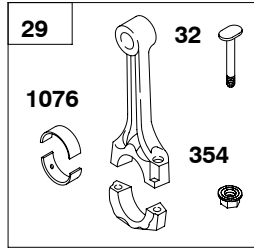
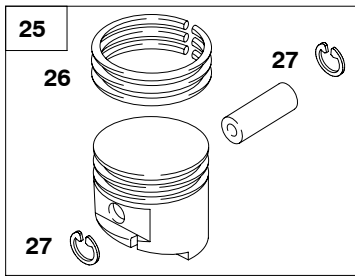
Engine Gasket Set - Reference 358  
Valve Gasket Set - Reference 1095



REF. NO.	PART NO.	DESCRIPTION	REF. NO.	PART NO.	DESCRIPTION	REF. NO.	PART NO.	DESCRIPTION
16	825552	Crankshaft (Used After Code Date 99063000). ----- <b>Note</b> ----- <b>825552</b> Crankshaft (Used After Code Date 98123100 and Before Code Date 99070100). Used on Type No(s). 0105, 0125, 0130, 0131, 0205, 0230, 0231. <b>825193</b> Crankshaft (Used Before Code Date 99010100). Used on Type No(s). 0105, 0125, 0130, 0131.	653	820079	Screw (Crankshaft Pulley)	900	820116	Shaft-Gear
			718C	820059	Pin-Locating	1072	820081	Screw (Idler Gear Plate)
			746	820611	Gear-Idler (Right Helix) (Used After Code Date 99063000). ----- <b>Note</b> ----- <b>820611</b> Gear-Idler (Right Helix) (Used After Code Date 98123100 and Before Code Date 99070100). Used on Type No(s). 0105, 0125, 0130, 0131, 0205, 0230, 0231. <b>825013</b> Gear-Idler (Left Helix) (Used Before Code Date 99010100). Used on Type No(s). 0105, 0125, 0130, 0131.	1073	820117	Plate-Idler Gear
598	821295	Shim-Endplay (Crankshaft) (Standard) ----- <b>Note</b> ----- <b>821297</b> Shim-Endplay (Crankshaft) (.005" Oversize)				1075	820236	Pulley-Crankshaft (4 Holes) ----- <b>Note</b> ----- <b>820123</b> Pulley-Crankshaft (3 Holes)
						1355	825040	Bearing Set/STD-Main
						1356	825039	Bearing Set/.010"-Main

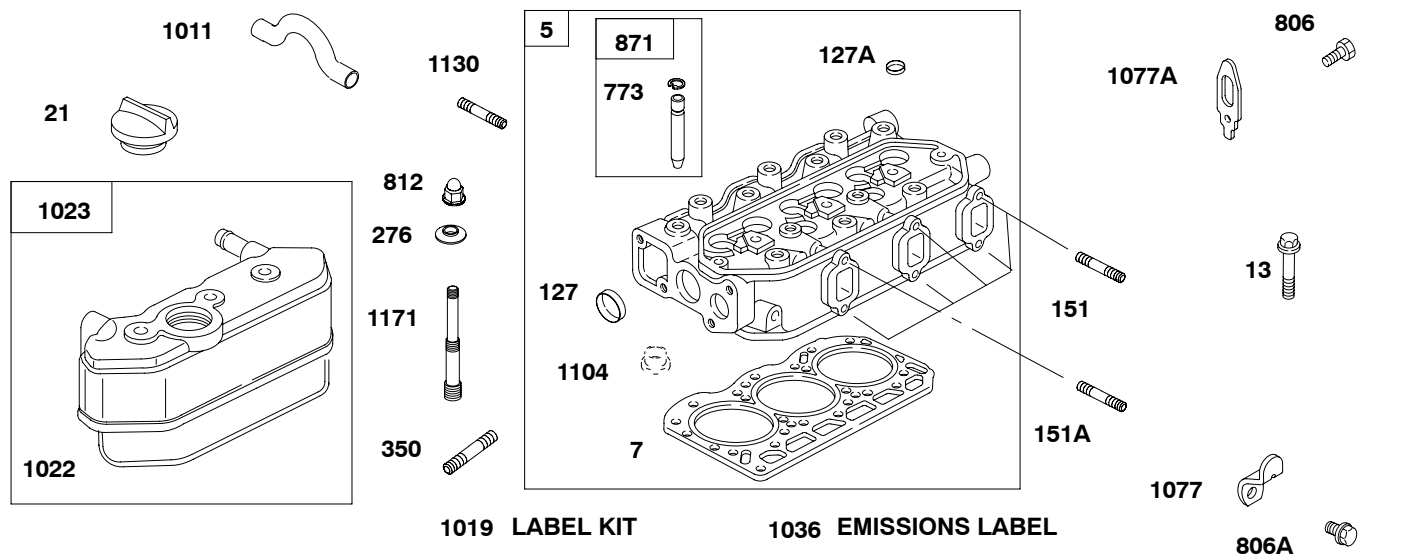
Engine Gasket Set - Reference 358  
Valve Gasket Set - Reference 1095

# 582400



REF. NO.	PART NO.	DESCRIPTION	REF. NO.	PART NO.	DESCRIPTION	REF. NO.	PART NO.	DESCRIPTION
17	820919	Bearing-Ball Used on Type No(s). 0211.	25	825354	Piston Assembly (Standard) (Used After Code Date 98123100).	27	820402	Lock-Piston Pin
23	825303	Flywheel ----- <b>Note</b> ----- <b>825302</b> Flywheel Used on Type No(s). 0125, 0225. <b>825237</b> Flywheel Used on Type No(s). 0130, 0230.			----- <b>Note</b> ----- <b>825191</b> Piston Assembly (Standard) (Used Before Code Date 99010100). <b>825355</b> Piston Assembly (.010" Oversize) (Used After Code Date 98123100). <b>825192</b> Piston Assembly (.010" Oversize) (Used Before Code Date 99010100).	32	820128	Screw (Connecting Rod)
23A	825488	Flywheel Used on Type No(s). 0211.				354	820073	Nut (Connecting Rod)
			26	825187	Ring Set (Standard) ----- <b>Note</b> ----- <b>825188</b> Ring Set (.010" Oversize)	1044	820080	Screw (Flywheel)
						1076	820142	Bearing/STD-Rod
						1242	825019	Bearing Set/STD-Rod
						1243	825060	Bearing Set/010"-Rod
						1273	820923	Disc-Clutch Used on Type No(s). 0211.
						1274	825492	Clutch-Pressure Plate Used on Type No(s). 0211.
						1299	820212	Screw (Pressure Plate Clutch)

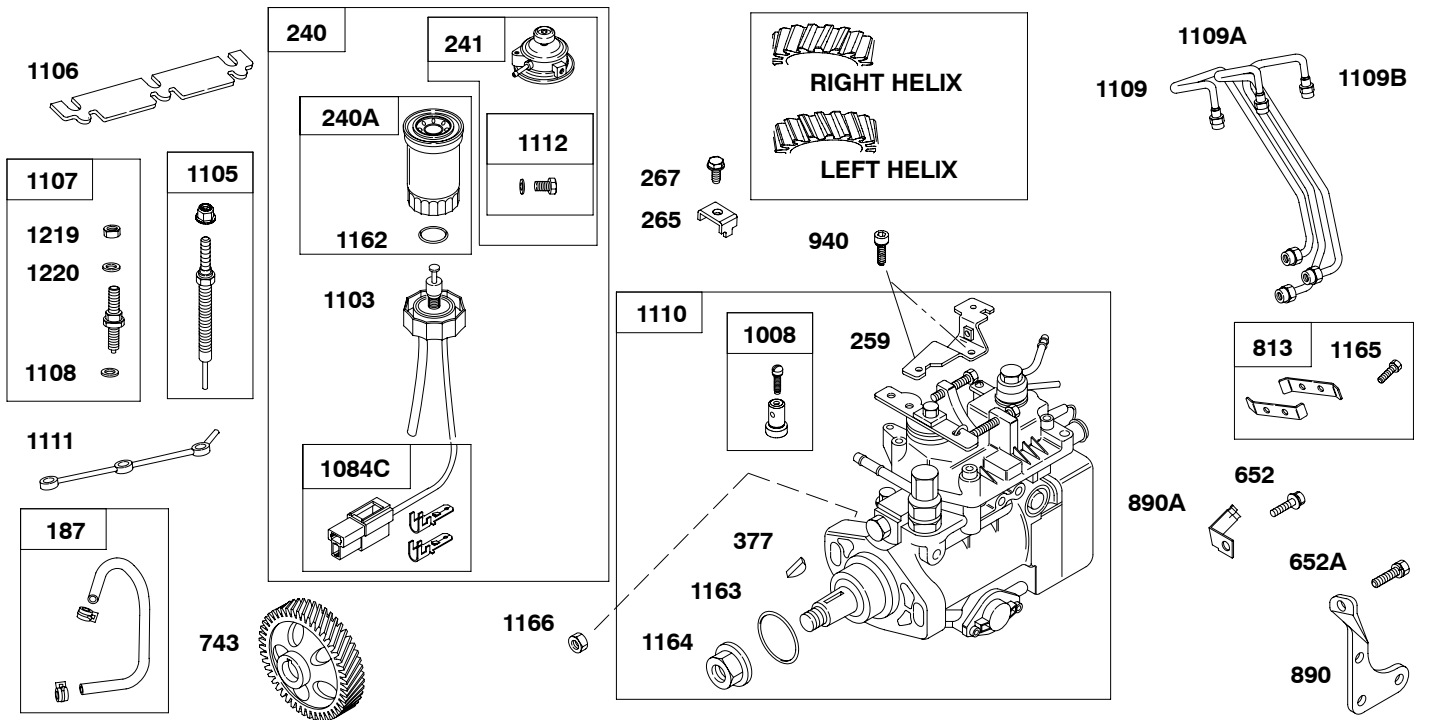
Engine Gasket Set - Reference 358  
Valve Gasket Set - Reference 1095



REF. NO.	PART NO.	DESCRIPTION	REF. NO.	PART NO.	DESCRIPTION	REF. NO.	PART NO.	DESCRIPTION
5	825683	Head-Cylinder (9mm Head Bolts) (Used After Code Date 98123100). ----- <b>Note</b> ----- 825262 Head-Cylinder (8mm Head Bolts) (Used Before Code Date 99010100). Used on Type No(s). 0125, 0131. Head-Cylinder <b>(NO LONGER AVAILABLE)</b> (8mm Head Bolts) (Used Before Code Date 99010100). Used on Type No(s). 0105, 0130.			----- <b>Note</b> ----- 820623 Screw (Cylinder Head) (Used After Code Date 98123100 and Before Code Date 99070100). Used on Type No(s). 0105, 0125, 0130, 0131, 0205, 0230, 0231. 820074 Screw (Cylinder Head) (8mm) (Used Before Code Date 99010100).	812	820071	Nut (Rocker Cover)
			21	825024	Cap-Oil Fill	871	825030	Bushing-Valve Guide
			127	820004	Plug-Welch	1011	821003	Tube-Vent
			127A	820005	Plug-Welch	1019	825649	Kit-Label
			151	820014	Stud (Exhaust Manifold)	1022	820150	Gasket-Rocker Cover
			151A	820466	Stud (Exhaust Manifold)	1023	825672	Cover-Rocker (Order Reference 1019, Label Kit and Reference 1036, Emissions Label for your Model, Type, Trim)
			276	820064	Washer-Sealing (Rocker Cover)	1036		Label-Emissions
			350	820078	Stud (Water Pump)	1077	820260	Bracket-Lifting
			773	820130	Retainer (Valve Guide Bushing)	1077A	820254	Bracket-Lifting
			806	820212	Screw (Lifting Bracket)	1104		Chamber-Combustion <b>(NO LONGER AVAILABLE)</b> (Used Before Code Date 99010100). Used on Type No(s). 0105, 0130. ----- <b>Note</b> ----- Chamber-Combustion <b>(NO LONGER AVAILABLE)</b> (Used Before Code Date 99010100). Used on Type No(s). 0125, 0131.
			806A	820024	Screw (Lifting Bracket)	1130	820015	Stud (Intake Manifold)
						1171	820076	Stud (Rocker Cover)

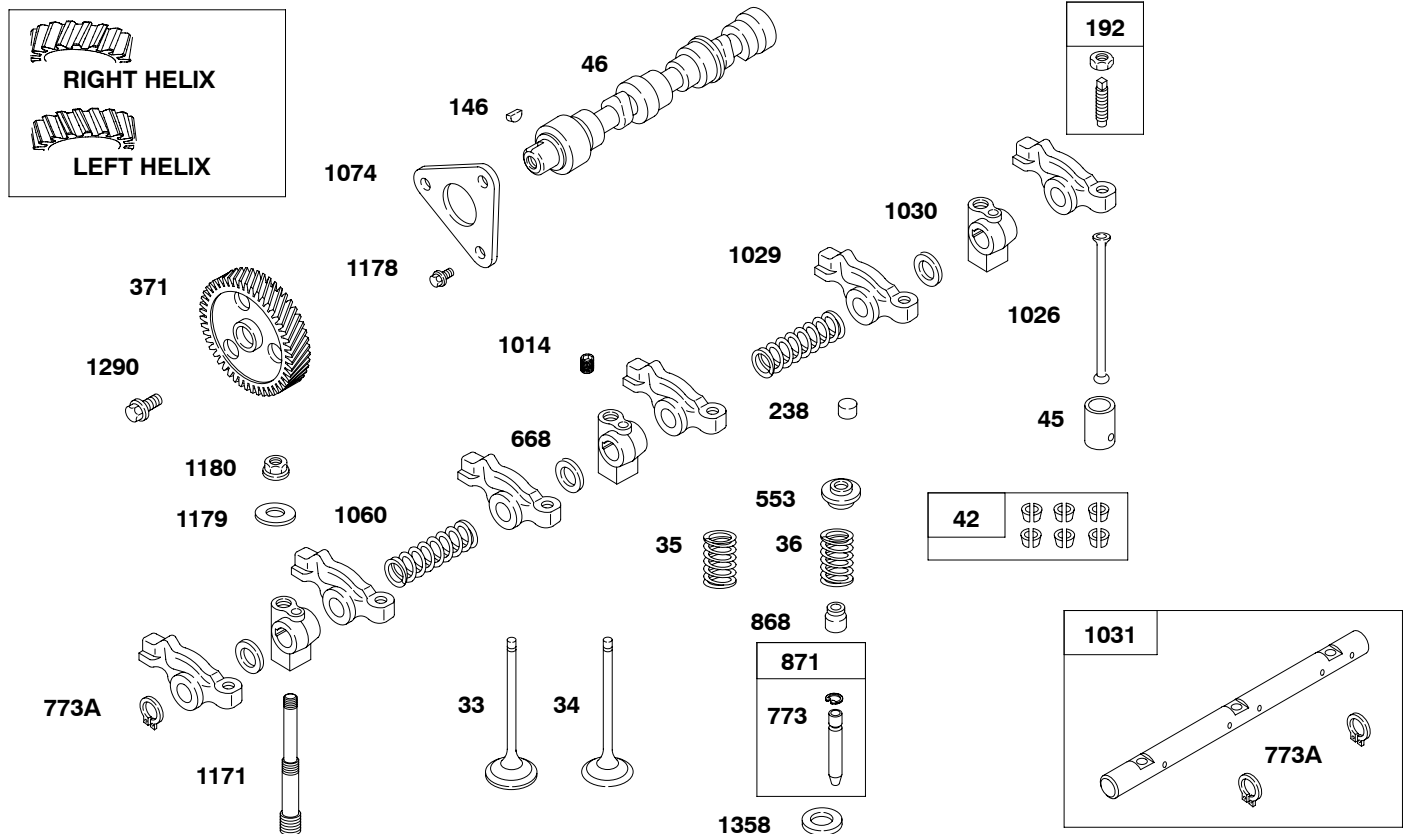
Engine Gasket Set - Reference 358  
Valve Gasket Set - Reference 1095

# 582400



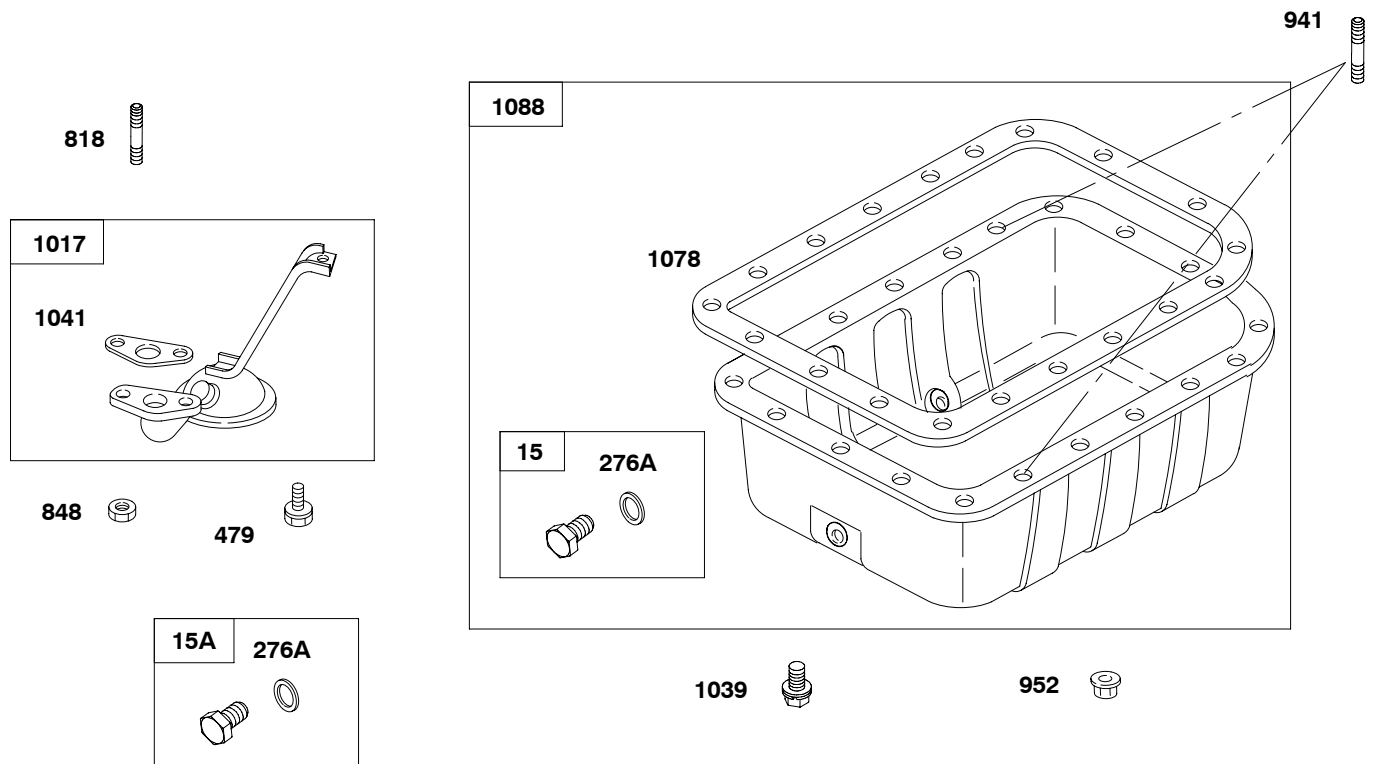
REF. NO.	PART NO.	DESCRIPTION	REF. NO.	PART NO.	DESCRIPTION	REF. NO.	PART NO.	DESCRIPTION
187	825179	Line-Fuel	743	820619	Gear-Drive (Right Helix) (Used After Code Date 99063000).	1105	825176	Plug-Glow
240	825219	Filter-Fuel				1106	820409	Strap-Glow Plug
240A	820311	Filter-Fuel				1107	825178	Nozzle-Injector
241	821251	Cover-Fuel Filter (Includes Reference 1112)				1108	820411	Seat-Injector
						1109	825194	Pipe-Injector #1
259	820634	Bracket-Casing Clamp				1109A	825195	Pipe-Injector #2
265	691024	Clamp-Casing				1109B	825196	Pipe-Injector #3
267	820012	Screw (Casing Clamp)				1110	825300	Pump-Injection ----- <b>Note</b> ----- 825299 Pump- Injection Used on Type No(s). 0125, 0131, 0231.
377	821064	Key-Woodruff (Injection Pump)				1111	820412	Pipe-Fuel Return
652	820593	Screw (Support Bracket)				1112	825198	Plug-Vent
652A	820272	Screw (Support Bracket)				1162	820348	Seal-O Ring (Fuel Filter Sensor)
			813	825197	Clamp	1163	820414	Seal-O Ring (Injection Pump)
			890	820415	Bracket-Support	1164	820419	Nut (Injection Pump) (Shaft)
			890A	820479	Bracket-Support	1165	820031	Screw (Clamp)
			940	820640	Screw (Casing Clamp Bracket)	1166	820417	Nut (Injection Pump)
			1008	820467	Clamp-Swivel	1219	820829	Nut (Injector Nozzle)
			1084C	825156	Connector-Terminal	1220	820831	Washer (Injector Nozzle)
			1103	820347	Sensor-Fuel Filter (Includes Reference 1162)			

Engine Gasket Set - Reference 358  
Valve Gasket Set - Reference 1095



REF. NO.	PART NO.	DESCRIPTION	REF. NO.	PART NO.	DESCRIPTION	REF. NO.	PART NO.	DESCRIPTION
33	820404	Valve-Exhaust	371	820613	Gear-Cam (Right Helix)	1014	820105	Screw (Rocker Arm Support)
34	820403	Valve-Intake			(Used After Code Date 99063100).	1026	821218	Rod-Push (Used After Code Date 04083100).
35	820406	Spring-Valve (Intake)			----- <b>Note</b> -----			----- <b>Note</b> -----
36	820406	Spring-Valve (Exhaust)			<b>820613</b> Gear-Cam (Right Helix)			<b>820422</b> Rod-Push (Used Before Code Date 04090100).
42	825082	Keeper-Valve			(Used After Code Date 98123100 and Before Code Date 99070100).	1029	820387	Arm-Rocker
45	820110	Tappet-Valve				1030	820106	Support-Rocker Arm
46	820388	Camshaft				1031	825093	Shaft-Rocker Arm
146	691639	Key-Timing				1060	820044	Spring-Rocker Shaft
192	825688	Adjuster-Rocker Arm (Used After Code Date 04083100).				1074	820118	Retainer-Camshaft
		----- <b>Note</b> -----				1171	820076	Stud (Rocker Cover)
		<b>825041</b> Adjuster-Rocker Arm (Used Before Code Date 04090100).				1178	820032	Screw (Camshaft Retainer)
238	821214	Cap-Valve (Used After Code Date 04083100).	553	820111	Retainer-Valve	1179	820177	Washer (Rocker Arm Support)
		----- <b>Note</b> -----	668	820065	Spacer (Rocker Arm Shaft)	1180	820070	Nut (Rocker Arm Support)
		<b>820113</b> Cap-Valve (Used Before Code Date 04090100).	773	820130	Retainer (Valve Guide Bushing)	1290	820075	Screw (Cam Gear)
			773A	820003	Retainer (Rocker Arm Shaft)	1358	820112	Seat-Valve Spring
			868	820405	Seal-Valve (Rocker Arm Shaft)			
			871	825030	Bushing-Valve Guide			

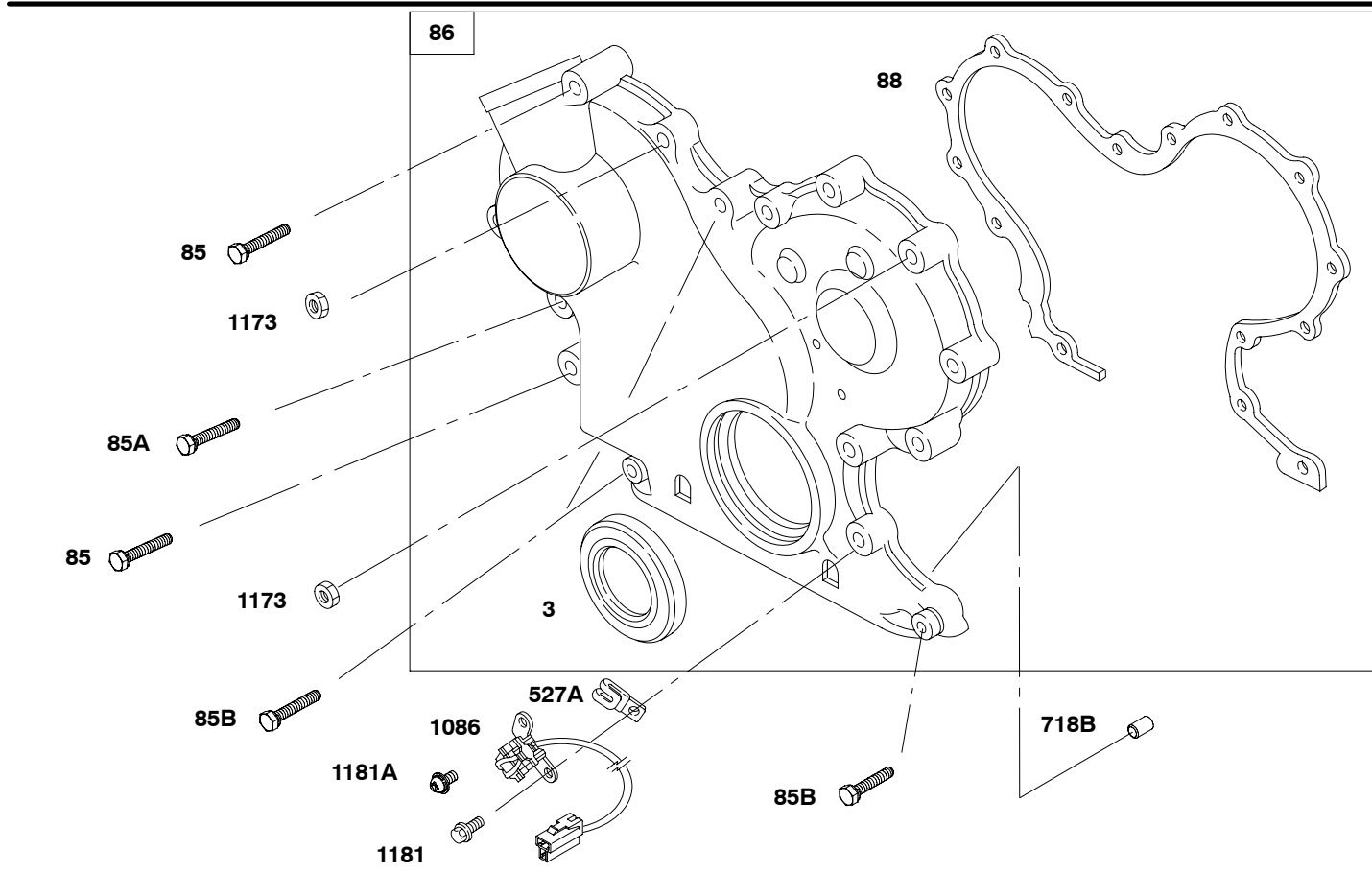
Engine Gasket Set - Reference 358  
 Valve Gasket Set - Reference 1095



REF. NO.	PART NO.	DESCRIPTION	REF. NO.	PART NO.	DESCRIPTION	REF. NO.	PART NO.	DESCRIPTION
15	825278	Plug-Oil Drain (16 mm)	479	820034	Screw (Oil Pump Screen)	1017	825089	Screen-Oil Pump
15A	825043	Plug-Oil Drain (12 mm)	818	820016	Stud (Oil Pump Screen)	1039	820034	Screw (Oil Pan)
276A	820582	Washer-Sealing (Oil Drain Plug) (16 mm)	848	820069	Nut (Oil Pump Screen)	1041	820104	Gasket-Oil Pump Screen
		----- <b>Note</b> -----	941	820017	Stud (Oil Pan)	1078	820137	Gasket-Oil Pan
		820049 Washer-Sealing (Oil Drain Plug) (12 mm)	952	820068	Nut (Oil Pan)	1088	825285	Pan-Oil (Dual Drain) (16 mm)
								----- <b>Note</b> -----
								825695 Pan-Oil (Tri-Drain) (16 mm)
								Used on Type No(s). 0381.

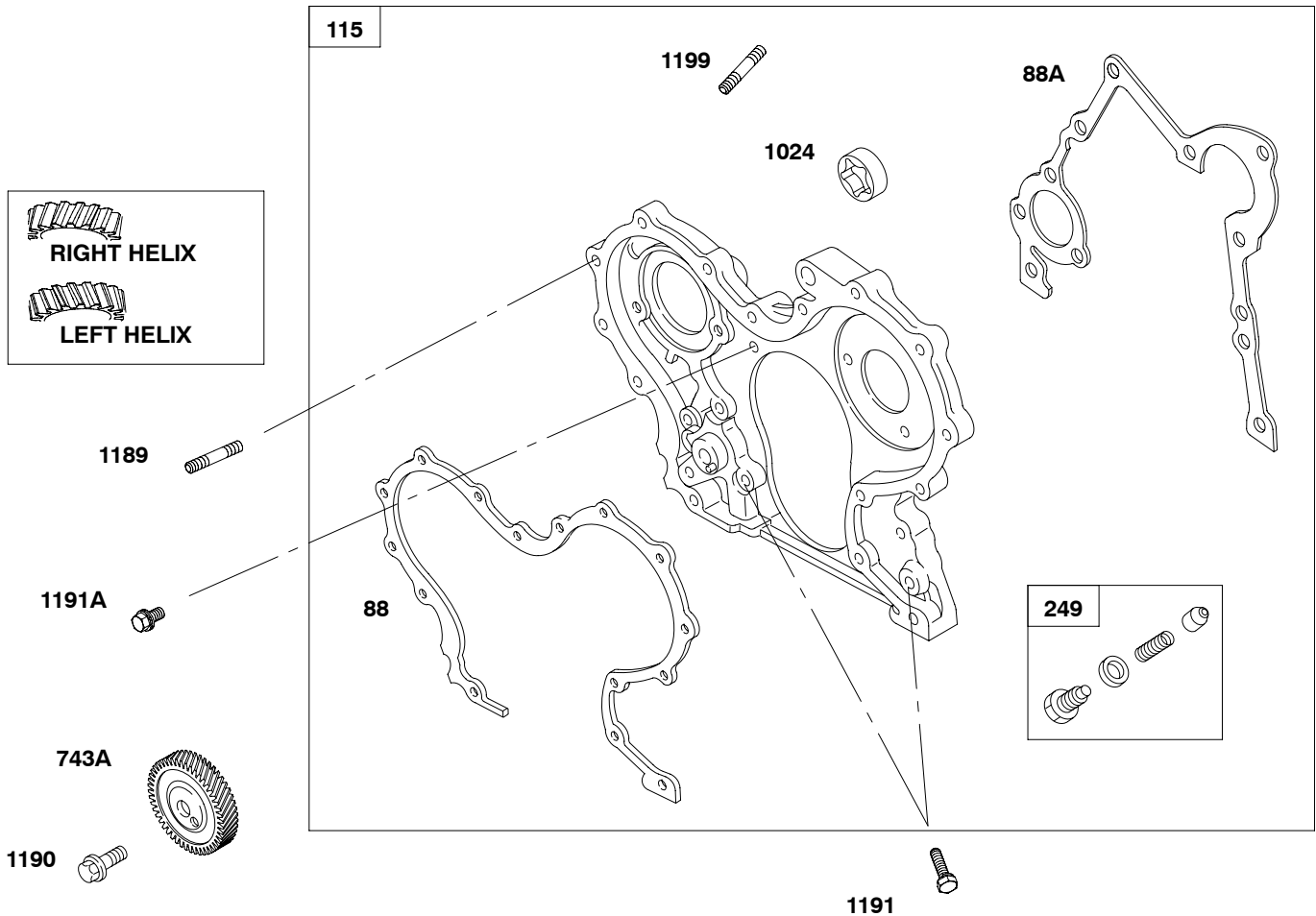
Engine Gasket Set - Reference 358  
 Valve Gasket Set - Reference 1095





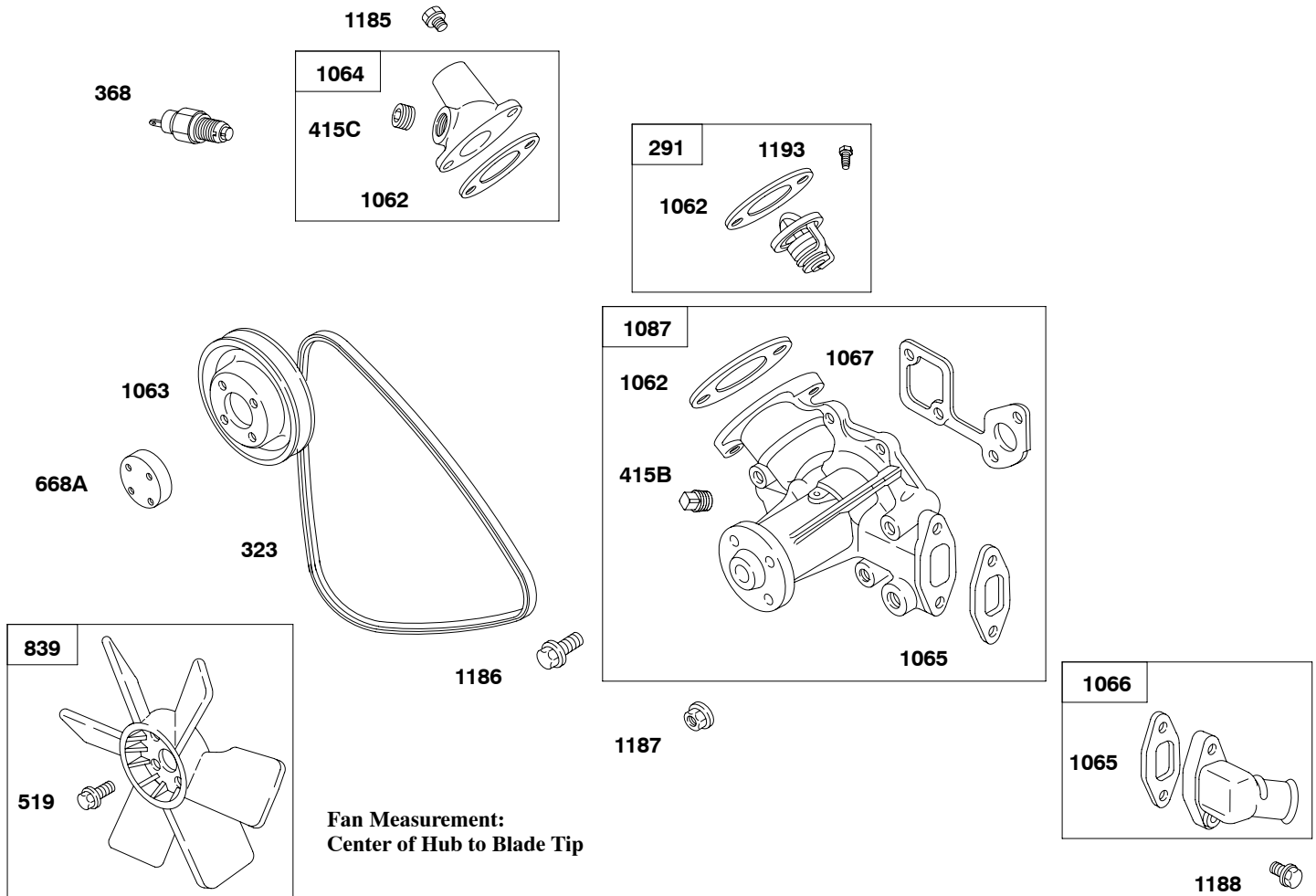
REF. NO.	PART NO.	DESCRIPTION	REF. NO.	PART NO.	DESCRIPTION	REF. NO.	PART NO.	DESCRIPTION
3	821071	Seal-Oil (Magneto Side)	527A	820047	Clamp-Tube	1173	820069	Nut (Gear Cover)
85	820425	Screw (Gear Cover)	718B	820061	Pin-Locating	1181	820029	Screw (Ignition Trigger)
85A	820029	Screw (Gear Cover)	1086	825009	Trigger-Ignition	1181A	820013	Screw (Ignition Trigger)
85B	820027	Screw (Gear Cover)						
86	825185	Cover-Gear						
88	820377	Gasket-Gear Reduction Cover						

Engine Gasket Set - Reference 358  
 Valve Gasket Set - Reference 1095



REF. NO.	PART NO.	DESCRIPTION	REF. NO.	PART NO.	DESCRIPTION	REF. NO.	PART NO.	DESCRIPTION
88	820377	Gasket-Gear Reduction Cover	743A	820615	Gear-Drive (Oil Pump) (Right Helix) (Used After Code Date 99063000).	1024		Pump-Oil (Sold in Gear Housing Only, Reference 115)
88A	820155	Gasket-Gear Reduction Cover			----- <b>Note</b> -----	1189	820156	Stud (Gear Housing)
115	825186	Housing-Gear			<b>820615</b> Gear-Drive (Oil Pump) (Right Helix) (Used After Code Date 98123100 and Before Code Date 99070100). Used on Type No(s). 0105, 0125, 0130, 0131, 0205, 0230, 0231.	1190	820180	Screw (Drive Gear)
249	825032	Valve-Pressure Relief			<b>820121</b> Gear-Drive (Oil Pump) (Left Helix) (Used Before Code Date 99010100).	1191	820030	Screw (Gear Housing)
						1191A	820033	Screw (Gear Housing)
						1199	820426	Stud (Injector Pump)

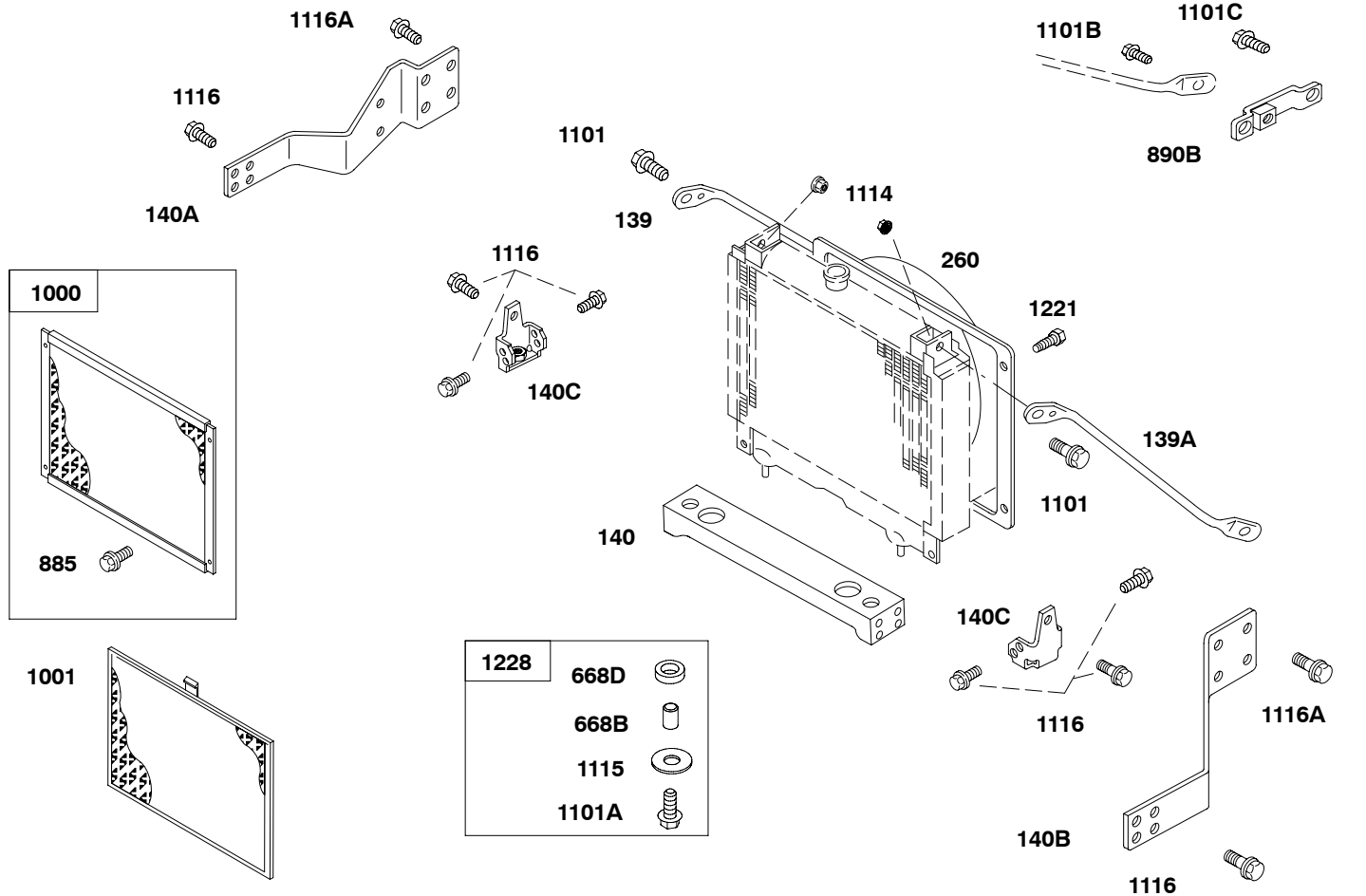
Engine Gasket Set - Reference 358  
 Valve Gasket Set - Reference 1095



REF. NO.	PART NO.	DESCRIPTION	REF. NO.	PART NO.	DESCRIPTION	REF. NO.	PART NO.	DESCRIPTION
<b>291</b>	<b>825064</b>	Thermostat	<b>839</b>	<b>825454</b>	Fan-Radiator (340mm)	<b>1062</b>	<b>820093</b>	Gasket-Outlet Housing
<b>323</b>	<b>821075</b>	Belt-Vee (940mm)			----- <b>Note</b> -----	<b>1063</b>	<b>820095</b>	Pulley-Pump
		----- <b>Note</b> -----			<b>825136</b> Fan-Radiator (320mm, Puller) (Includes Spacer, Reference 668A) Used on Type No(s). 0130, 0131, 0224, 0231.	<b>1064</b>	<b>825074</b>	Housing-Outlet
<b>368</b>	<b>820208</b>	Switch-Water Temperature			<b>825223</b> Fan-Radiator (290mm, Puller) Used on Type No(s). 0105, 0125.	<b>1065</b>	<b>820098</b>	Gasket-Inlet Housing
<b>415B</b>	<b>820182</b>	Plug (Water Pump)			<b>821013</b> Fan-Radiator Used on Type No(s). 0235.	<b>1066</b>	<b>825051</b>	Housing-Inlet
<b>415C</b>	<b>820052</b>	Plug (Outlet Housing)			<b>825538</b> Fan-Radiator (310mm, Puller) Used on Type No(s). 0376, 0377, 0381.	<b>1067</b>	<b>820100</b>	Gasket-Water Pump
<b>519</b>	<b>820034</b>	Screw (Radiator Fan)				<b>1087</b>	<b>825265</b>	Pump-Water
		----- <b>Note</b> -----						----- <b>Note</b> -----
<b>668A</b>	<b>820218</b>	Spacer (Radiator Fan)						<b>825565</b> Pump-Water Used on Type No(s). 0211, 0381.
						<b>1185</b>	<b>820031</b>	Screw (Outlet Housing)
						<b>1186</b>	<b>820022</b>	Screw (Water Pump)
						<b>1187</b>	<b>820181</b>	Nut (Water Pump)
						<b>1188</b>	<b>820031</b>	Screw (Inlet Housing)
						<b>1193</b>	<b>820185</b>	Screw (Thermostat)

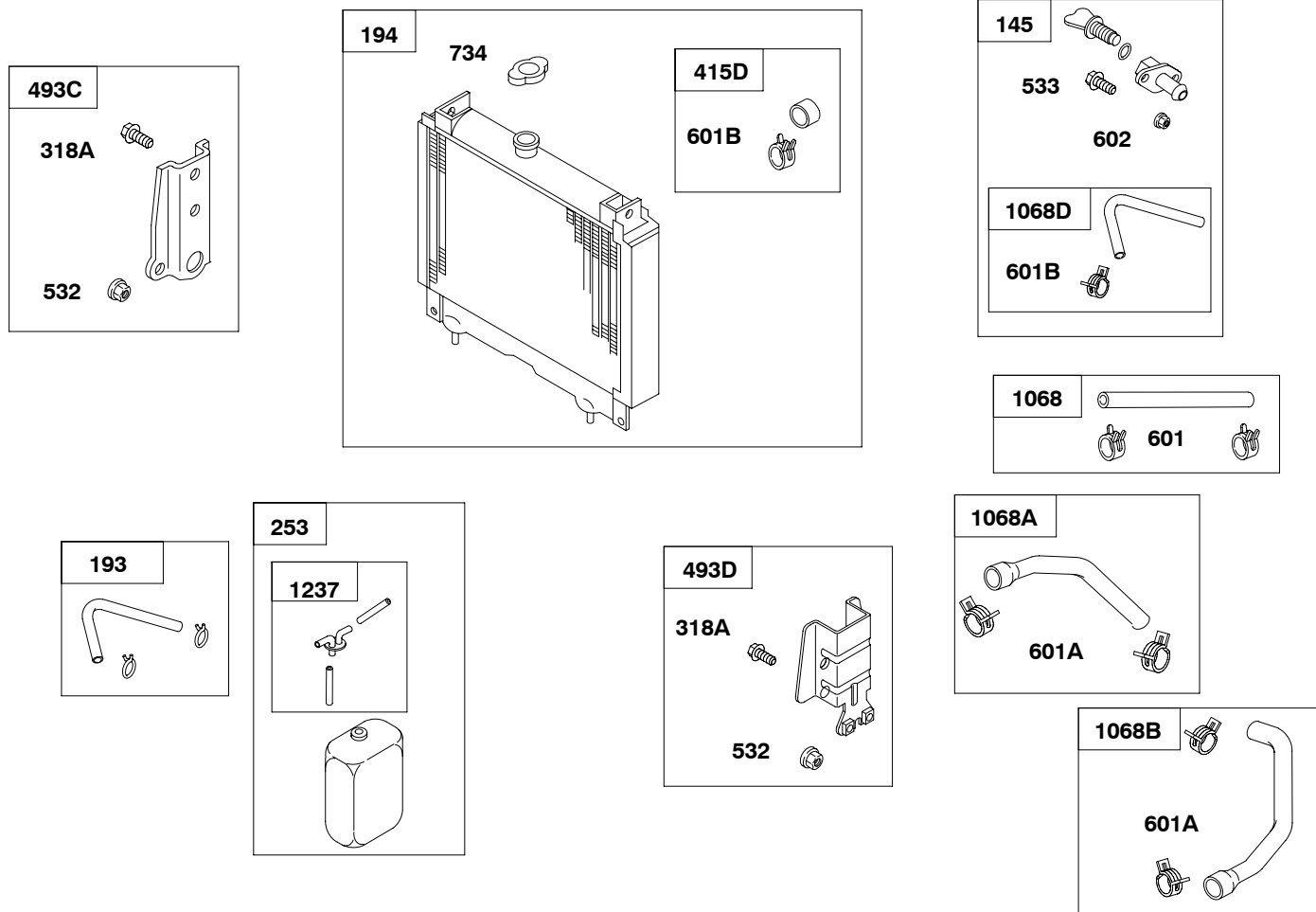
Engine Gasket Set - Reference 358  
Valve Gasket Set - Reference 1095

# 582400



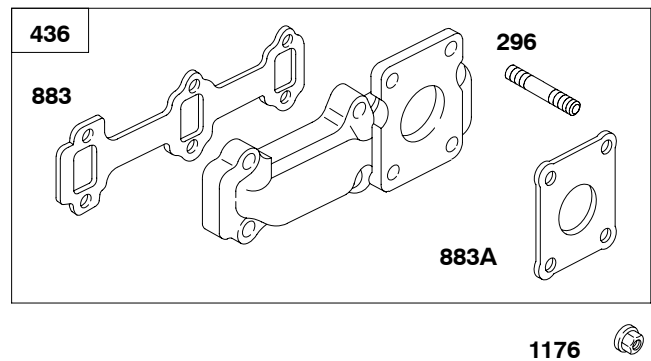
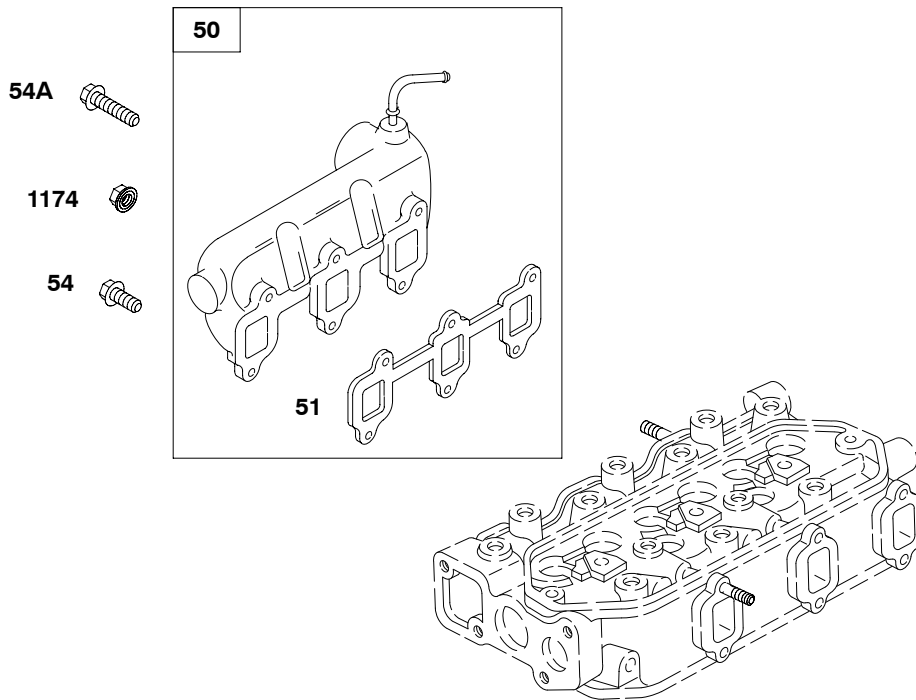
REF. NO.	PART NO.	DESCRIPTION	REF. NO.	PART NO.	DESCRIPTION	REF. NO.	PART NO.	DESCRIPTION
139	820617	Support-Radiator (Right Hand)	890B	820194	Bracket-Support (Radiator)	1116	820878	Screw (Radiator Bracket)
139A	820191	Support-Radiator (Left Hand)	1000	825103	Guard-Radiator	1116A	820024	Screw (Radiator Bracket) (Used With Engine Mounts Only)
140	820255	Bracket-Radiator (Front)	1001	820259	Screen-Radiator	----- <b>Note</b> -----		
140A	820192	Bracket-Radiator (Right Hand)	1101	820272	Screw (Radiator Support)	820023	820023	Screw (Radiator Bracket) (Used With Engine Mounts And Radiator Brackets)
140B	820193	Bracket-Radiator (Left Hand)	1101A	820309	Screw (Radiator Support)	1221	820636	Screw (Fan Shroud) (320 mm Fan)
140C	820294	Bracket-Radiator	1101B	820273	Screw (Radiator Support)	----- <b>Note</b> -----		
260	820220	Shroud-Fan (320 mm)	1101C	820452	Screw (Radiator Support)	820865	820865	Screw (Fan Shroud) (340 mm Fan)
		----- <b>Note</b> -----	1114	820070	Nut (Radiator Support)	1228	825135	Mount-Radiator (Contains 2 Sets)
		820863 Shroud-Fan (340 mm)	1115	820296	Washer (Radiator Support)			
668B	820307	Spacer (Radiator Mount)						
668D	820198	Spacer						
885	820636	Screw (Radiator Guard)						

Engine Gasket Set - Reference 358  
 Valve Gasket Set - Reference 1095



REF. NO.	PART NO.	DESCRIPTION	REF. NO.	PART NO.	DESCRIPTION	REF. NO.	PART NO.	DESCRIPTION
145	825072	Valve-Drain	253	825462	Tank-Reserve	602	820011	Nut (Drain Valve)
193	825697	Hose-Reserve Tank	318A	820034	Screw (Mounting Bracket)	734	820258	Cap-Radiator
194	825068	Radiator (Copper) Used on Type No(s). 0219, 0225. ----- <b>Note</b> ----- <b>825645</b> Radiator (Aluminum) Used on Type No(s). 0235. <b>825574</b> Radiator (Aluminum) (Used After Code Date 04043000). Used on Type No(s). 0219, 0233.	415D	825075	Plug Used on Type No(s). 0219, 0225.	1068	825045	Hose/Clamp Assembly
			493C	825106	Bracket-Mounting (Reserve Tank)	1068A	825134	Hose/Clamp Assembly
			493D	825314	Bracket-Mounting (Reserve Tank) Used on Type No(s). 0222.	1068B	825133	Hose/Clamp Assembly
			532	820011	Nut (Mounting Bracket)	1068D	825696	Hose/Clamp Assembly
			533	820034	Screw (Drain Valve)	1237	825461	Cap/Hose-Reserve
			601	820045	Clamp-Hose			
			601A	820256	Clamp-Hose			
			601B	820201	Clamp-Hose			

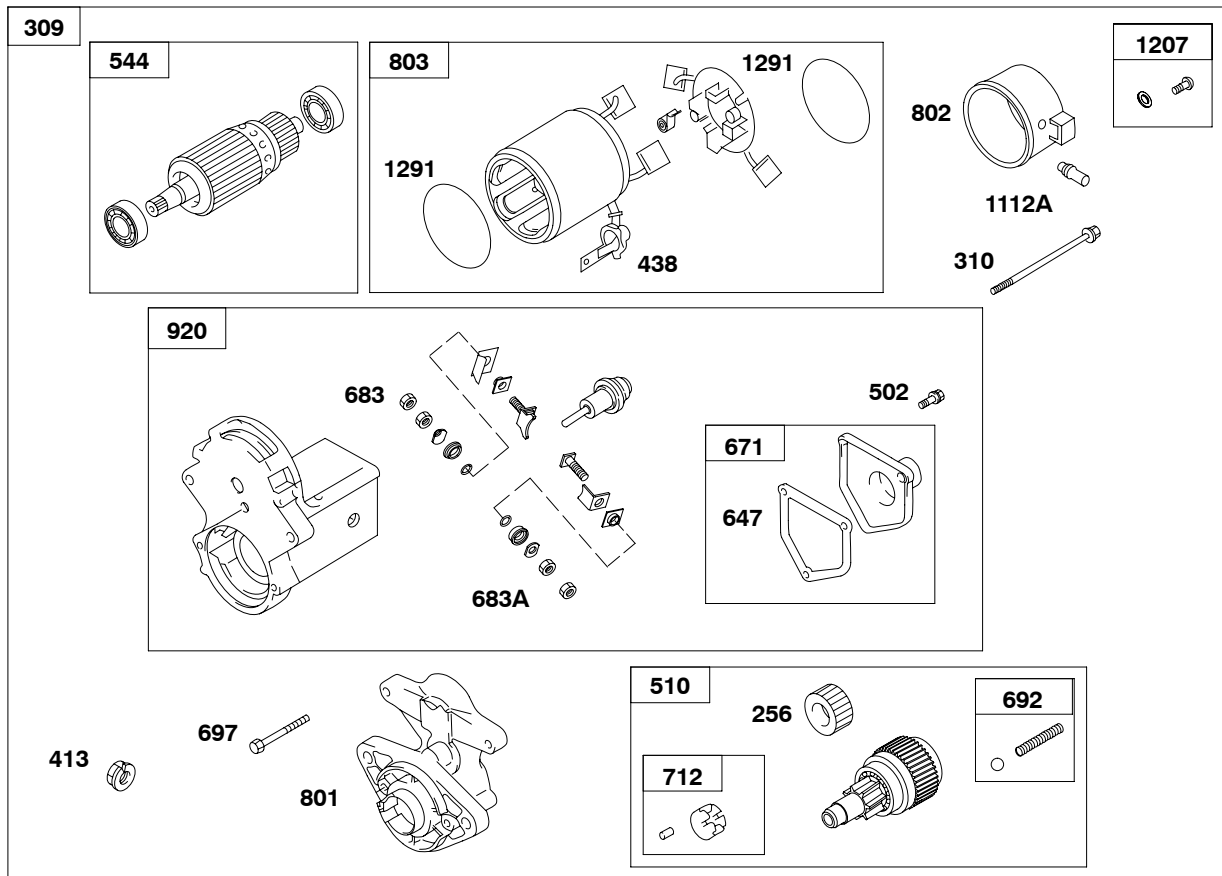
Engine Gasket Set - Reference 358  
Valve Gasket Set - Reference 1095



REF. NO.	PART NO.	DESCRIPTION	REF. NO.	PART NO.	DESCRIPTION	REF. NO.	PART NO.	DESCRIPTION
50	825175	Manifold-Intake	296	820553	Stud (Muffler)	1174	820069	Nut (Intake Manifold)
51	820407	Gasket-Intake (Intake Manifold)	436	825055	Manifold-Exhaust	1176	820010	Nut (Exhaust Manifold)
54	820031	Screw (Intake Manifold)	883	820817	Gasket-Exhaust (Manifold)			
54A	820408	Screw (Intake Manifold)	883A	821001	Gasket-Exhaust (Muffler)			

Engine Gasket Set - Reference 358  
 Valve Gasket Set - Reference 1095

1.2KW PURPLE/BROWN LABEL

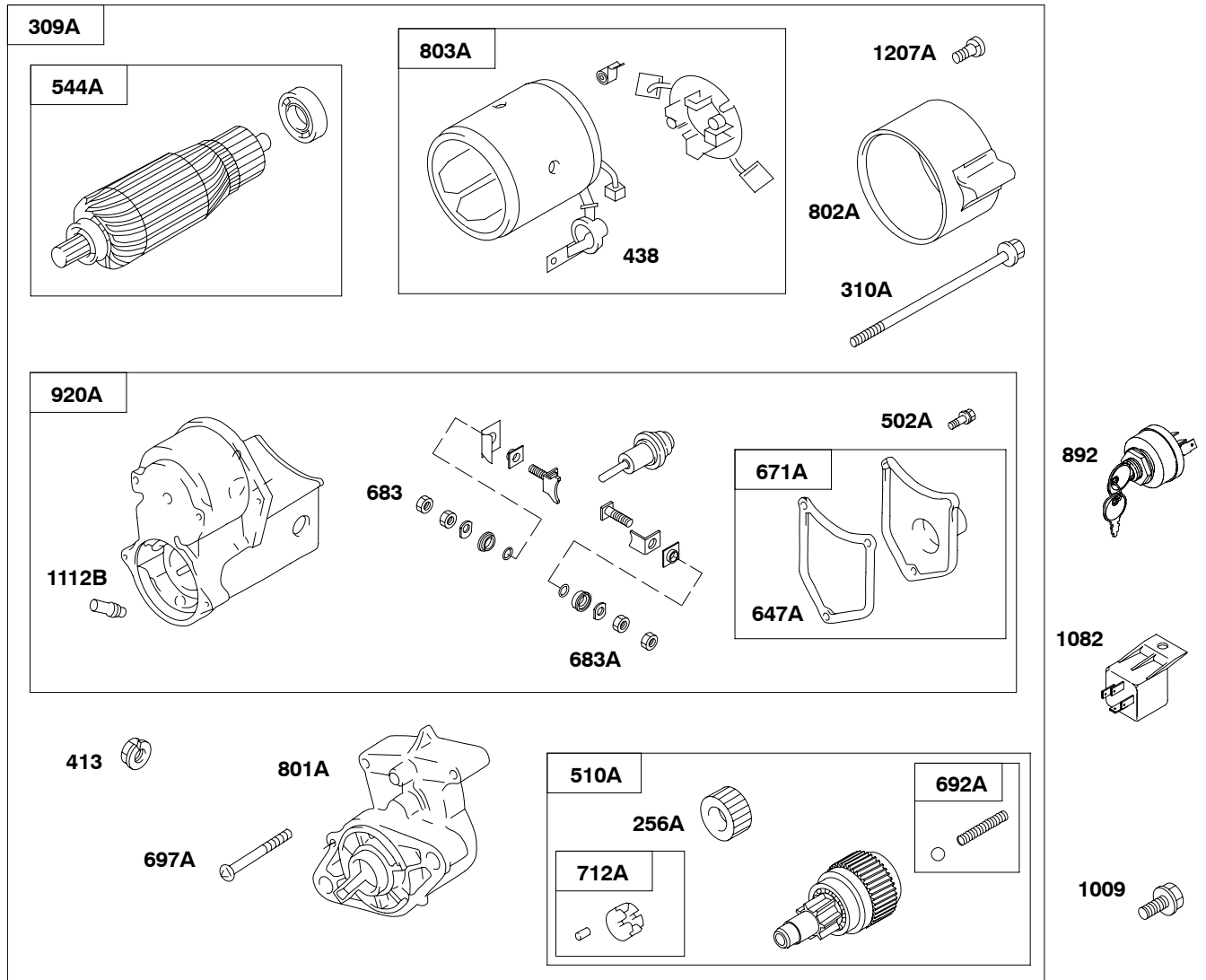


REF. NO.	PART NO.	DESCRIPTION	REF. NO.	PART NO.	DESCRIPTION	REF. NO.	PART NO.	DESCRIPTION
256	820767	Gear-Starter Drive	683	820723	Nut (Starter Solenoid) (Terminal)	802	821231	Cap-End (Used After Code Date 05022800).
309	825700	Motor-Starter	683A	820721	Nut (Starter Solenoid) (Terminal)			----- <b>Note</b> -----
310	820773	Screw (Starter Motor)	692	825402	Detent-Spring			<b>820771</b> Cap-End (Used Before Code Date 05030100).
413	820067	Nut (Starter Motor)	697	820777	Screw (Drive Cap)	803	825423	Housing-Starter
438	820725	Boot-Terminal	712	825401	Roller-Clutch	920	825702	Solenoid-Starter (Used After Code Date 05022800).
502	820763	Screw (Solenoid Cover)	801	821228	Cap-Drive (Used After Code Date 05022800).			----- <b>Note</b> -----
510	825406	Drive-Starter			----- <b>Note</b> -----			<b>825410</b> Solenoid-Starter (Used Before Code Date 05030100).
544	825404	Armature-Starter			<b>825408</b> Cap-Drive (Used Before Code Date 05030100).	1009	820019	Screw (Starter Motor)
647	820719	Gasket-Solenoid Cover				1112A	820779	Plug-Vent
671	825703	Cover-Solenoid (Used After Code Date 05022800).				1207	820775	Screw (End Cap)
		----- <b>Note</b> -----				1291	820769	Seal-O Ring (Starter Housing)
		<b>825422</b> Cover-Solenoid (Used Before Code Date 05030100).						

Engine Gasket Set - Reference 358  
 Valve Gasket Set - Reference 1095

1.0KW

BLUE/GREEN LABEL

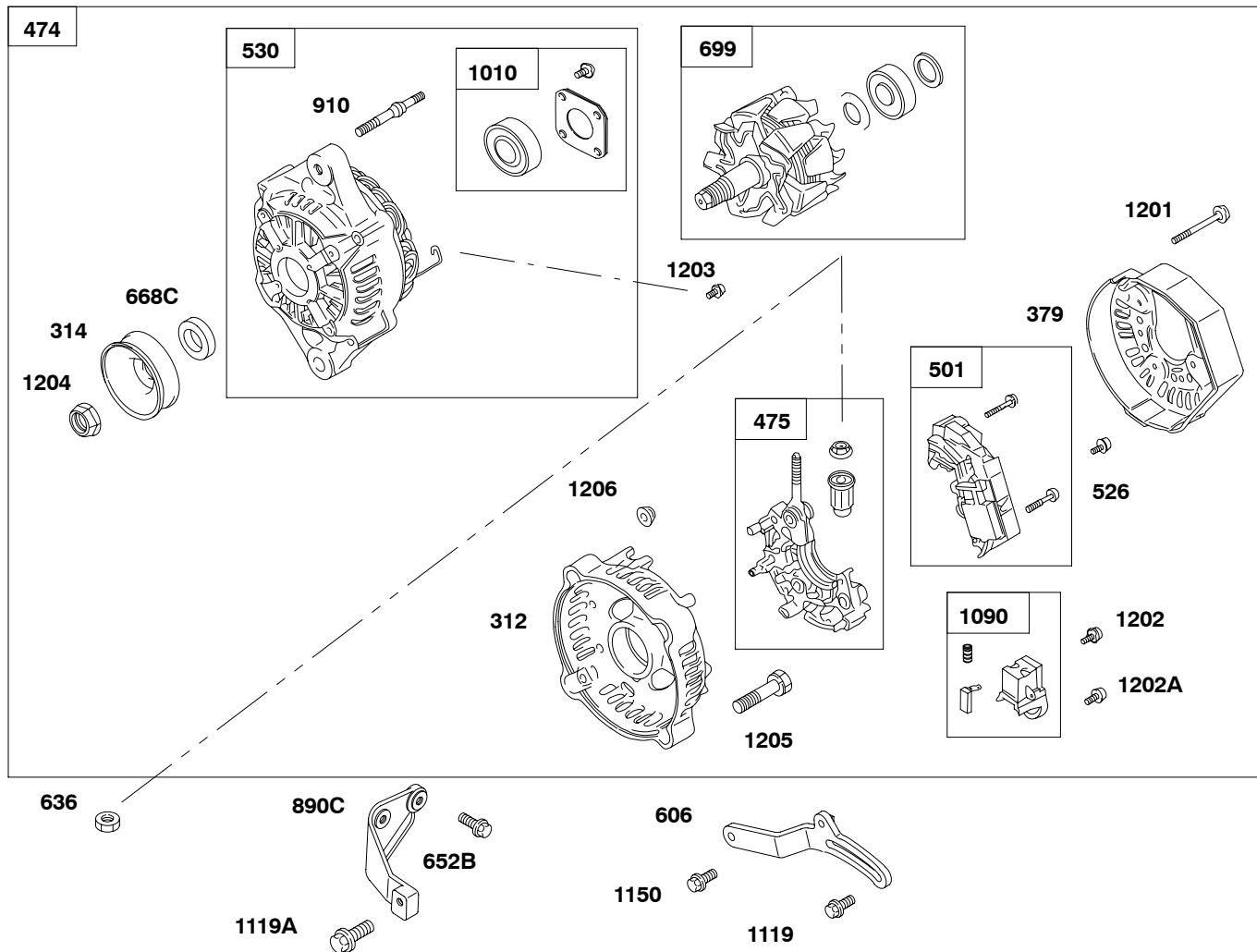


REF. NO.	PART NO.	DESCRIPTION	REF. NO.	PART NO.	DESCRIPTION	REF. NO.	PART NO.	DESCRIPTION
256A	820745	Gear-Starter Drive	647A	820733	Gasket-Solenoid	802A	820743	Cap-End
309A		Motor-Starter (For Replacement Starter Motor, Order Reference 309)	671A	825400	Cover-Solenoid	803A	825399	Housing-Starter (Includes Brushes, Springs and Brush Retainer)
310A	820755	Screw (Starter Motor)	683	820723	Nut (Starter Solenoid) (Terminal)	892	692318	Switch-Key
413	820067	Nut (Starter Motor)	683A	820721	Nut (Starter Solenoid) (Terminal)	920A	825398	Solenoid-Starter
438	820725	Boot-Terminal	692A	825425	Detent-Spring	1009	820019	Screw (Starter Motor)
502A	820739	Screw (Solenoid Cover)	697A	820751	Screw (Drive Cap)	1082	820455	Relay-Starter
510A	825394	Drive-Starter	712A	825424	Roller-Clutch	1112B	820737	Plug-Vent
544A	825392	Armature-Starter	801A	825396	Cap-Drive	1207A	820754	Screw (End Cap)

Engine Gasket Set - Reference 358  
Valve Gasket Set - Reference 1095



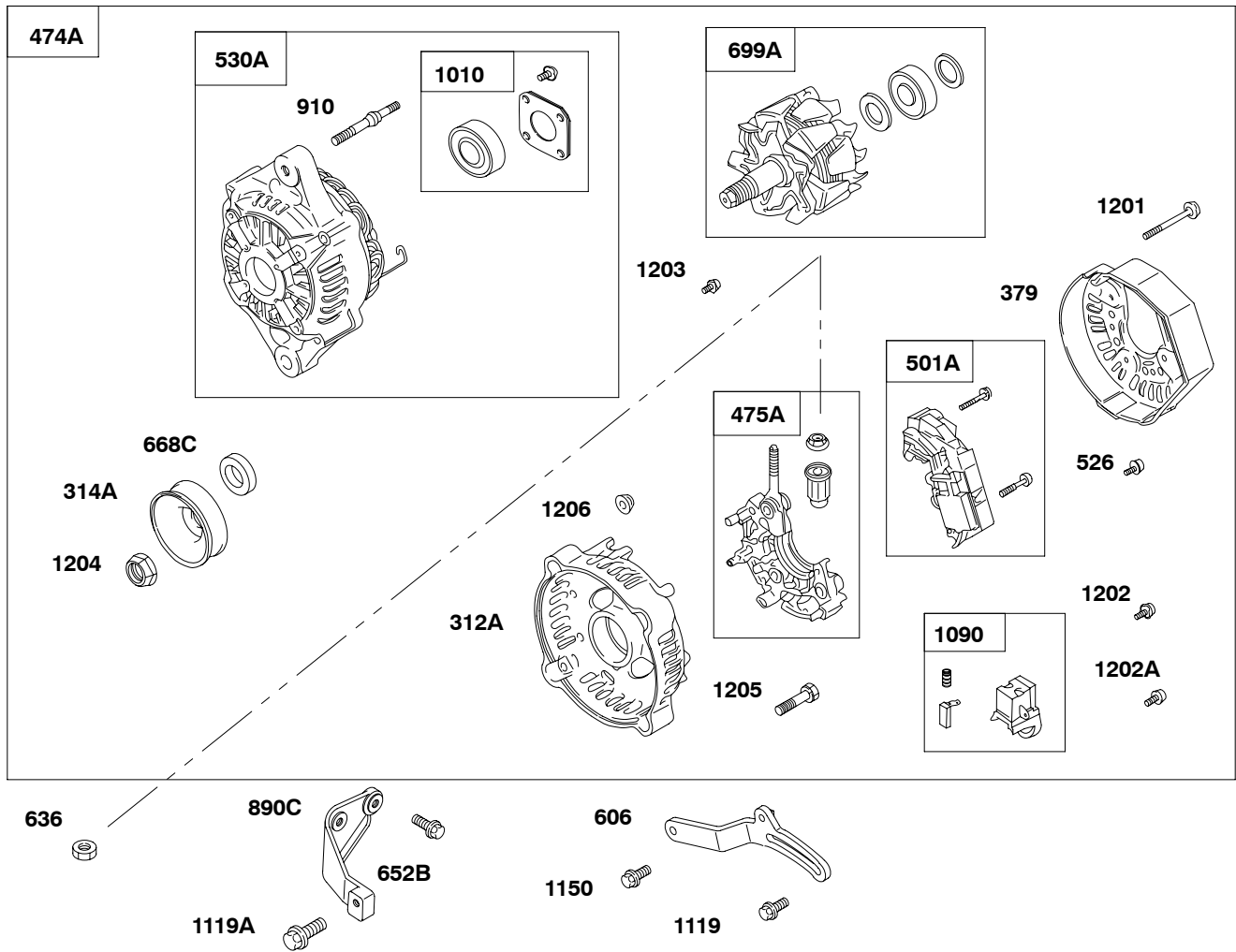
40 AMP



REF. NO.	PART NO.	DESCRIPTION	REF. NO.	PART NO.	DESCRIPTION	REF. NO.	PART NO.	DESCRIPTION
312	820692	Housing-Brush End	652B	820275	Screw (Support Bracket)	1201	820715	Screw (Brush Cover)
314	820711	Pulley-Alternator	668C	820713	Spacer (Alternator)	1202	820701	Screw (Brush Retainer)
379	820703	Cover-Brush	699	825390	Rotor Assembly	1202A	820702	Screw (Brush Retainer)
474	825084	Alternator	890C	820213	Bracket-Support	1203	820702	Screw (Stator Wire)
475	825385	Rectifier	910	820690	Stud (Alternator)	1204	820705	Nut (Alternator Pulley)
501	825388	Regulator	1010	825384	Retainer-Bearing	1205	820707	Screw (Brush End Housing)
526	820702	Screw (Rectifier)	1090	825387	Retainer-Brush	1206	820709	Nut (Brush End Housing)
530	825383	Housing-Drive End	1119A	820270	Screw (Alternator)			
606	820819	Strap-Adjusting	1150	820023	Screw (Adjusting Strap)			
636	820069	Nut (Starting Switch)						

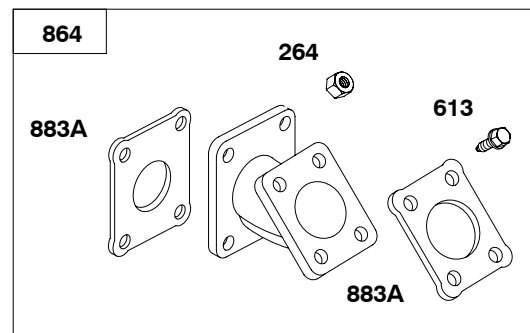
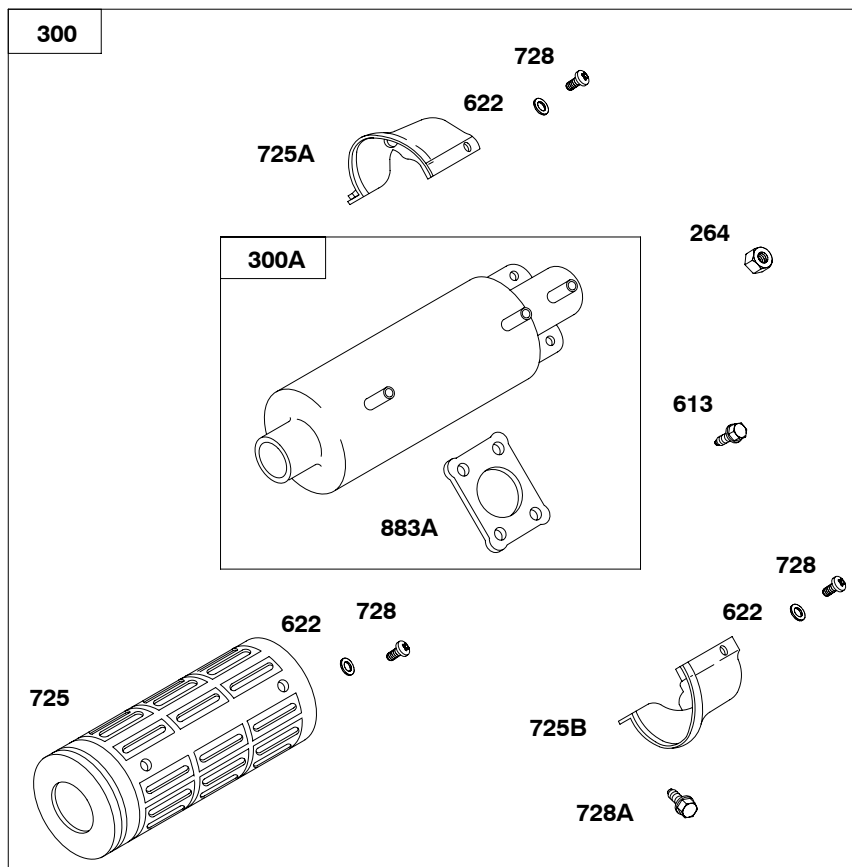
Engine Gasket Set - Reference 358  
 Valve Gasket Set - Reference 1095

60 AMP



REF. NO.	PART NO.	DESCRIPTION	REF. NO.	PART NO.	DESCRIPTION	REF. NO.	PART NO.	DESCRIPTION
312A	820904	Housing—Brush End	668C	820713	Spacer	1201	820715	Screw (Brush Cover)
314A	820900	Pulley—Alternator	699A	825486	Rotor Assembly	1202	820701	Screw (Brush Retainer)
379	820703	Cover—Brush	890C	820213	Bracket—Support	1202A	820702	Screw (Brush Retainer)
474A	825577	Alternator	910	820690	Stud (Alternator)	1203	820702	Screw (Stator Wire)
475A	825580	Rectifier	1010	825384	Retainer—Bearing	1204	820705	Nut (Alternator Pulley)
501A	825481	Regulator	1090	825387	Retainer—Brush	1205	820707	Screw (Brush End Housing)
526	820702	Screw (Rectifier)	1119	820483	Screw (Alternator)	1206	820709	Nut (Brush End Housing)
530A	825484	Housing—Drive End	1119A	820270	Screw (Alternator)			
606	820819	Strap—Adjusting	1150	820023	Screw (Adjusting Strap)			
636	820069	Nut (Starting Switch)						
652B	820275	Screw (Support Bracket)						

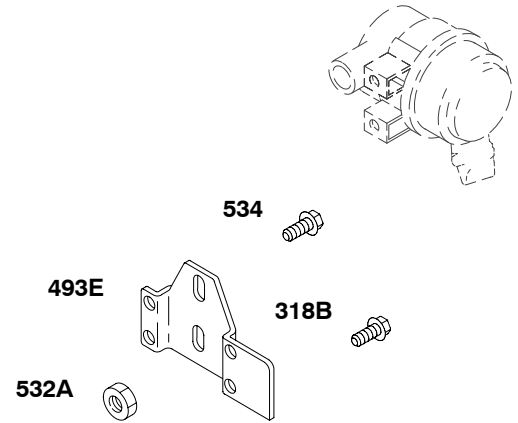
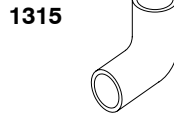
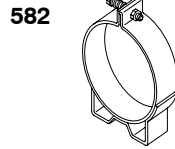
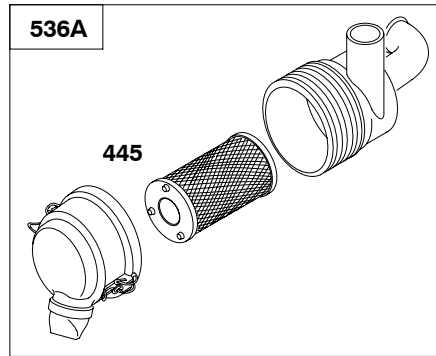
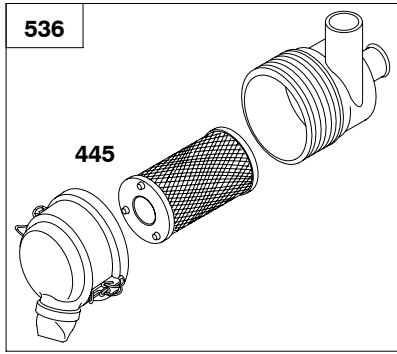
Engine Gasket Set – Reference 358  
 Valve Gasket Set – Reference 1095



REF. NO.	PART NO.	DESCRIPTION	REF. NO.	PART NO.	DESCRIPTION	REF. NO.	PART NO.	DESCRIPTION
264	820178	Nut (Muffler Adapter)	622	820631	Washer (Heat Shield)	728	821011	Screw (Heat Shield)
300	825200	Muffler	725	820628	Shield-Heat	728A	820431	Screw (Heat Shield)
300A	825550	Muffler	725A	820630	Shield-Heat	864	825358	Adapter-Muffler
613	820023	Screw (Muffler)	725B	820629	Shield-Heat	883A	821001	Gasket-Exhaust

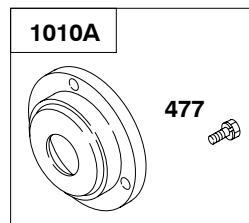
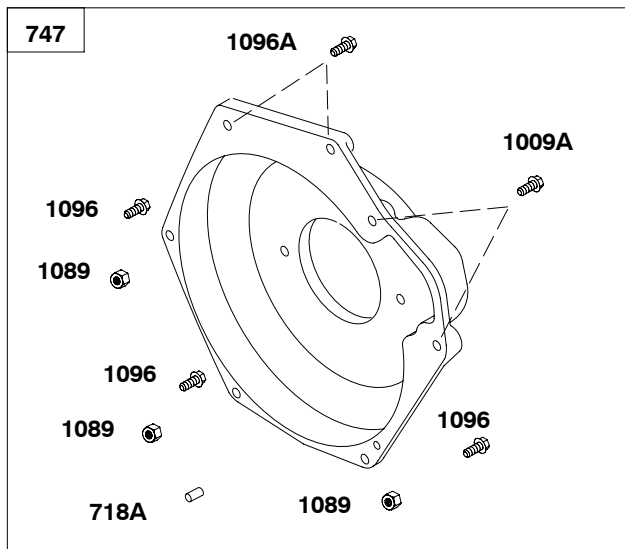
Engine Gasket Set - Reference 358  
 Valve Gasket Set - Reference 1095

# 582400

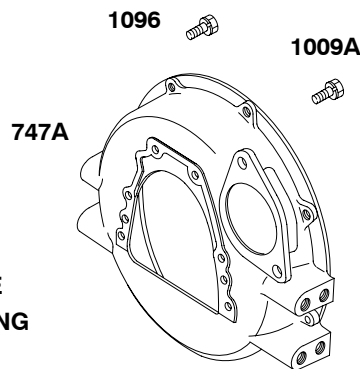
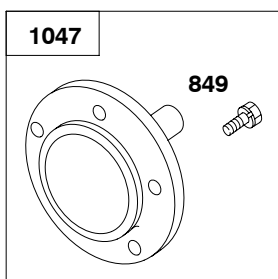
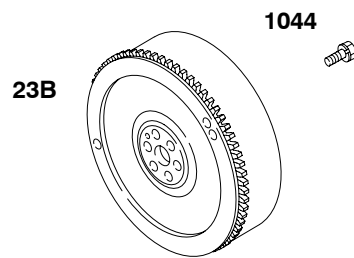


REF. NO.	PART NO.	DESCRIPTION	REF. NO.	PART NO.	DESCRIPTION	REF. NO.	PART NO.	DESCRIPTION
318B	820212	Screw (Mounting Bracket)	534	820273	Screw (Air Cleaner)	1315	820554	Hose-Air Cleaner
445	820263	Filter-Air Cleaner Cartridge	536	825117	Cleaner-Air (With Vacuum Adapter)	1315A	820555	Hose-Air Cleaner
493E	820195	Bracket-Mounting (Air Cleaner)	536A	825118	Cleaner-Air (90 Degree Elbow With Vacuum Adapter)	1315B	820556	Hose-Air Cleaner
532A	820070	Nut (Mounting Bracket)	582	820230	Clamp-Air Cleaner			

Engine Gasket Set - Reference 358  
Valve Gasket Set - Reference 1095



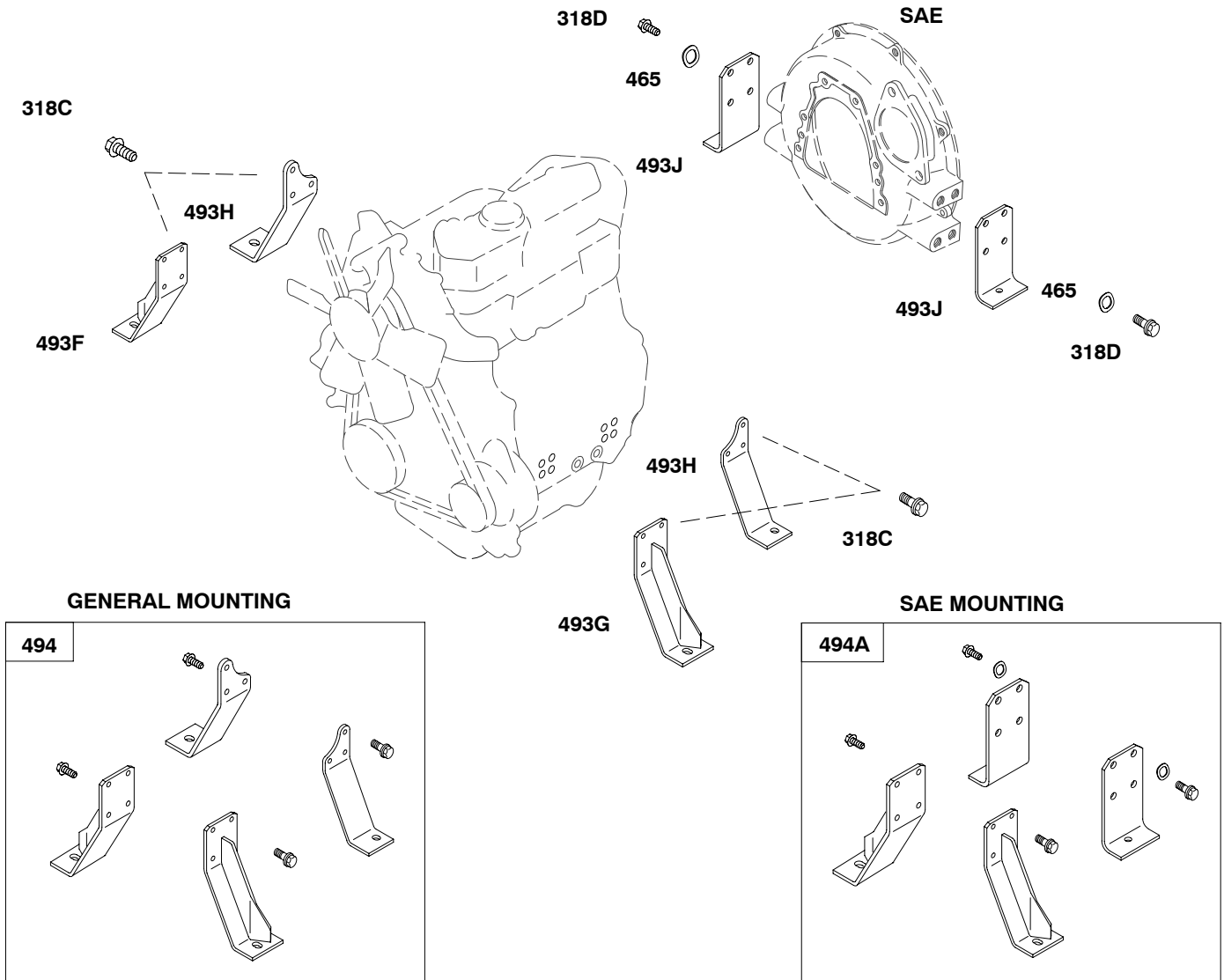
SAE  
FLYWHEEL



SAE  
HOUSING

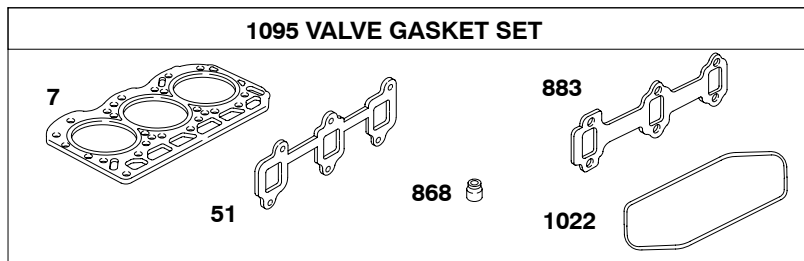
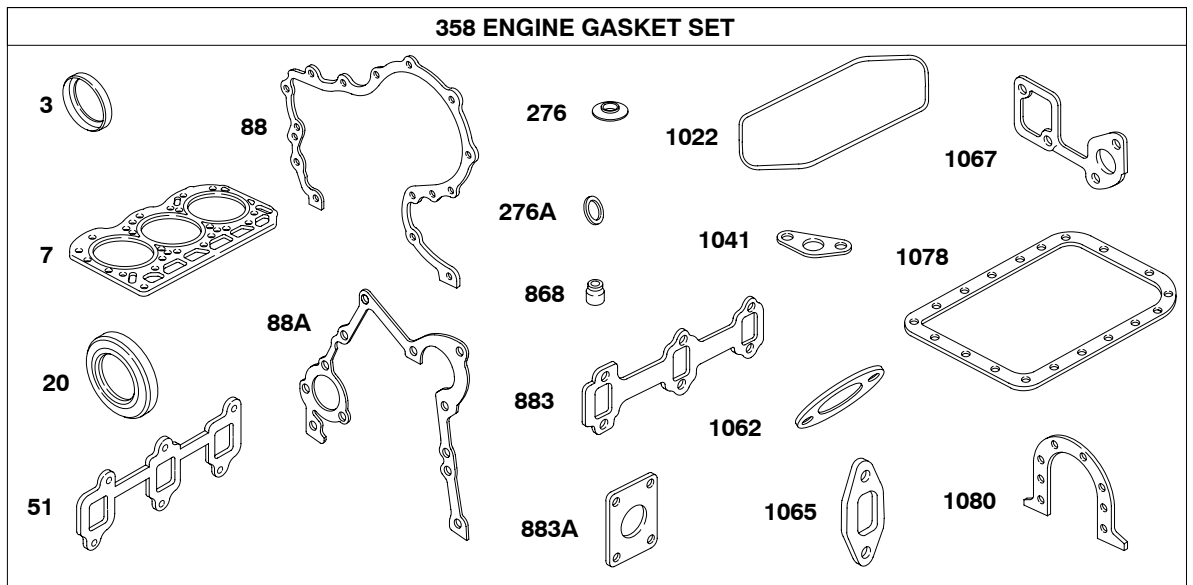
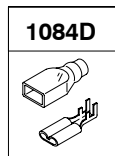
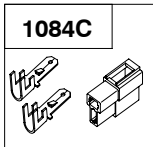
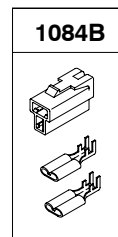
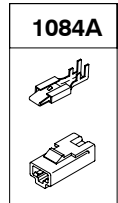
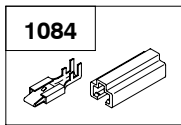
REF. NO.	PART NO.	DESCRIPTION	REF. NO.	PART NO.	DESCRIPTION	REF. NO.	PART NO.	DESCRIPTION
23B	825071	Flywheel	849	820199	Screw (Stub Shaft)	1047	825268	Shaft-Stub (1 1/8" Diameter Shaft) (3 3/4" Length)
477	820199	Screw (Bearing Retainer)	1009A	820451	Screw (Starter Motor) (SAE Housings)			----- <b>Note</b> -----
718A	820062	Pin-Locating						<b>825078</b> Shaft-Stub (1 7/16" Diameter Shaft)
747	825098	Housing-Flywheel (KTR®) (Small Pilot, 2 Holes)						<b>825123</b> Shaft-Stub (1" Diameter Shaft)
		----- <b>Note</b> -----						<b>825269</b> Shaft-Stub (1 1/8" Diameter Shaft) (4 1/5" Length)
		<b>825113</b> Housing-Flywheel (KTR®)	1010A	825079	Retainer-Bearing	1089	820070	Nut (Flywheel Housing)
747A	820248	Housing-Flywheel (SAE)	1044	820080	Screw (Flywheel)	1096	820241	Screw (Flywheel Housing)
						1096A	820450	Screw (Flywheel Housing)

Engine Gasket Set - Reference 358  
Valve Gasket Set - Reference 1095



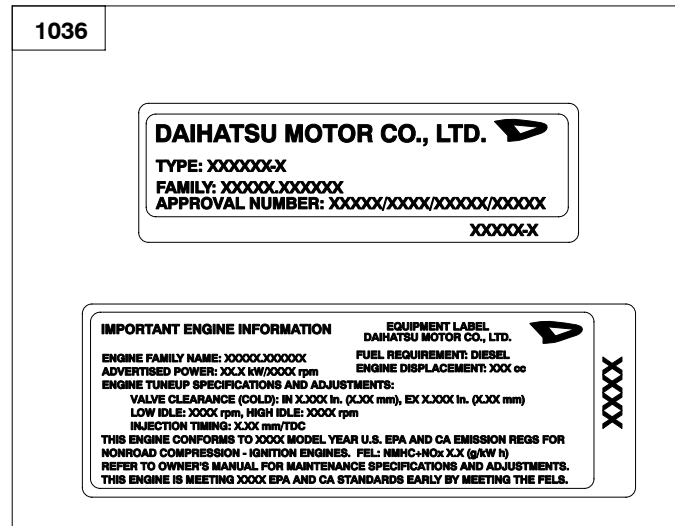
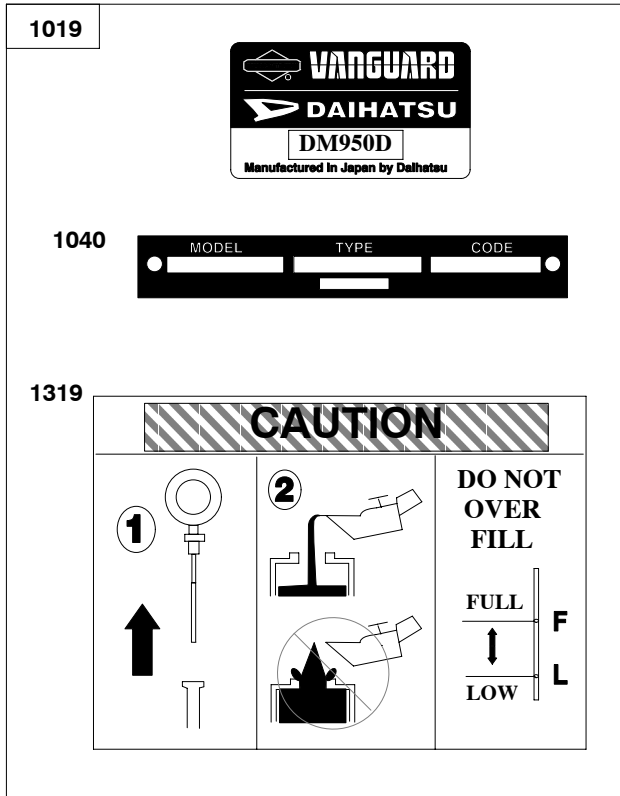
REF. NO.	PART NO.	DESCRIPTION	REF. NO.	PART NO.	DESCRIPTION	REF. NO.	PART NO.	DESCRIPTION
318C	820024	Screw (Mounting Bracket) (Used With Engine Mounts Only) ----- <b>Note</b> ----- 820023 Screw (Mounting Bracket) (Use Only When Front Engine Mounts And Radiator Brackets Are Installed)	465	820449	Washer (Mounting Bracket)	494	825214	Mount-Engine (General Mounting)
318D	820306	Screw (Mounting Bracket)	493F	820835	Bracket-Mounting (Right Front) (General and SAE)	494A	825215	Mount-Engine (SAE Mounting)
			493G	820832	Bracket-Mounting (Left Front) (General and SAE)			
			493H	820833	Bracket-Mounting (Rear General)			
			493J	820834	Bracket-Mounting (Rear SAE)			

Engine Gasket Set - Reference 358  
Valve Gasket Set - Reference 1095



REF. NO.	PART NO.	DESCRIPTION	REF. NO.	PART NO.	DESCRIPTION	REF. NO.	PART NO.	DESCRIPTION
3	821071	Seal-Oil (PTO Side)	276	820064	Washer-Sealing (Rocker Cover)	1022	820150	Gasket-Rocker Cover
7	820660	Gasket-Cylinder Head (Used After Code Date 98123100). ----- <b>Note</b> ----- 820351 Gasket-Cylinder Head (Used Before Code Date 99010100).	276A	820582	Washer-Sealing (Oil Drain Plug) (16mm)	1041	820104	Gasket-Oil Pump Screen
20	821073	Seal-Oil (Magneto Side)	358	825380	Gasket Set-Engine (Used After Code Date 98123100). ----- <b>Note</b> ----- 825212 Gasket Set-Engine (Used Before Code Date 99010100).	1062	820093	Gasket-Outlet Housing
51	820407	Gasket-Intake (Intake Manifold)	868	820405	Seal-Valve	1065	820098	Gasket-Inlet Housing
88	820377	Gasket-Gear Reduction Cover	883	820817	Gasket-Exhaust	1067	820100	Gasket-Water Pump
88A	820155	Gasket-Gear Reduction Cover	883A	821001	Gasket-Exhaust	1078	820137	Gasket-Oil Pan
						1080	820145	Gasket-Retainer
						1084	825154	Connector-Terminal
						1084A	825266	Connector-Terminal
						1084B	825157	Connector-Terminal
						1084C	825156	Connector-Terminal
						1084D	825160	Connector-Terminal
						1095	825381	Gasket Set-Valve (Used After Code Date 98123100). ----- <b>Note</b> ----- 825213 Gasket Set-Valve (Used Before Code Date 99010100).

Engine Gasket Set - Reference 358  
Valve Gasket Set - Reference 1095



**1058 OPERATOR'S MANUAL**

**1330 REPAIR MANUAL**

REF. NO.	PART NO.	DESCRIPTION	REF. NO.	PART NO.	DESCRIPTION	REF. NO.	PART NO.	DESCRIPTION
1019	825649	Kit-Label	1036		Label-Emissions (Available from Authorized Briggs & Stratton Dealer)	1040	820290	Plate-Trim
						1058	820853	Operator's Manual
						1319	821160	Label-Warning
						1330	MS1055	Repair Manual (Refer to Repair Manual For Assembly and Torque Requirements)

Engine Gasket Set - Reference 358  
Valve Gasket Set - Reference 1095