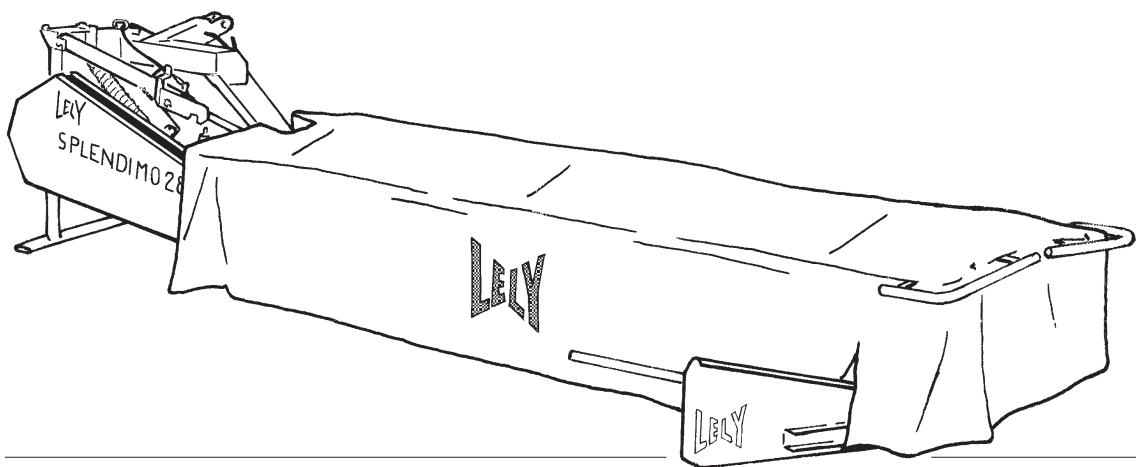


LELY

HIGH - TECH
IN AGRICULTURE

ONDERDELENLIJST PARTS LIST LISTE DE PIECES DE RECHANGE ERSATZTEILLISTE

SPLENDIMO L



SPLENDIMO 280 L

SPLENDIMO L	type number type number numéro de type Typennummer	vanaf serienummer as from serial number après numéro serie ab Seriennummer	SPLENDIMO L	type number type number numéro de type Typennummer	vanaf serienummer as from serial number après numéro serie ab Seriennummer
165	4.1257.0000.1	10711 - 0507	240	4.1230.0009.1	3000000
	4.1257.0001.1	3000292		4.1230.0011.1	10804 - 0546
205	4.1233.0010.1	10804 - 0535	4.1230.0012.1	10806 - 0834	
	4.1233.0011.1	10804 - 0553	4.1230.0013.1	3000000	
	4.1233.0012.1	10804 - 0535	4.1230.0014.1	3000915	
	4.1233.0013.1	3000000	4.1230.0015.1	3000000	
	4.1233.0014.1	10806 - 0511	280	4.1229.0010.1	3001230
	4.1233.0015.1	3000000		4.1229.0011.1	10803- 0702
205 PROFI	4.1233.0030.1	3003491	4.1229.0012.1	3000000	
			4.1229.0013.1	3000000	
			4.1229.0014.1	3000000	
			320	4.1225.0020.1	3000751
				4.1225.0021.1	10805 - 0688
				4.1225.0022.1	3000000



LELY INDUSTRIES NV

ONDERDELEN

Bij het bestellen van onderdelen is het belangrijk dat u het type- en serienummer van uw machine opgeeft.

Gebruik alleen originele LELY-onderdelen.

SPARE PARTS

When ordering spare parts, it is important that you indicate the type and serial number of your machine.

Use only genuine LELY parts.

PIECES DE RECHANGE

En commandant des pièces de rechange il importe que vous indiquiez les numéros de type et de série de votre machine.

N'utiliser que des pièces d'origines LELY.

ERSATZTEILE

Beim Bestellen von Ersatzteilen ist es wichtig, daß Sie die Typ- und Seriennummer Ihrer Maschine angeben.

Nur Original-LELY-Ersatzteile verwenden.

Typ- und Seriennummer in nebenstehende Abbildung eintragen. Bei künftigen Bestellungen haben Sie die Nummer dann griffbereit.

Vul het type- en serienummer hieronder in.

Bij toekomstige onderdelenbestellingen heeft u de nummers dan bij de hand.

Complete the box below with the type and serial number.

This is an easy reference with a view to future spare parts ordering.

Veillez noter, ci-dessous, les numéros de type et de serie.

Ceci est important pour toutes commandes de pièces de rechange.

LELY	LELY INDUSTRIES NV		CE
	3147 PA MAASSLUIS THE NETHERLANDS		
		kg	
Type			
Ser.Nr.			

Verklaring van de in de onderdelenlijst gebruikte tekens.

Explanation of signs used in the parts list.

Explication des signes qui figurent dans la liste des pièces.

Erklärung der in der Ersatzteilliste verwendeten Zeichen.

[R] = RECHTSE UITVOERING
RH VERSION

[L] = LINKSE UITVOERING
LH VERSION

Onder rechtse of linkse uitvoering wordt de plaats van het onderdeel verstaan, gezien van de achterzijde van de machine.

By RH or LH version the position of the part is meant, seen from the rear of the machine

[RD] = RECHTSOM DRAAIENDE UITVOERING
RH ROTATING VERSION

[LD] = LINKSOM DRAAIENDE UITVOERING
LH ROTATING VERSION

Onder rechtsom of linksom draaiende uitvoering wordt de draairichting van het onderdeel verstaan, gezien van de bovenzijde van de machine.

By RH or LH rotating version the sense of rotating of the part is meant, seen from the top of the machine.

[x] = ONDERDEEL WORDT NIET GETOOND
PART IS NOT SHOWN

Bijvoorbeeld linkse uitvoering overeenkomstig de wel getekende rechtse uitvoering.

E.g. : LH version is similar to the RH version, which is actually shown.

[#] = NIET LOS LEVERBAAR
NOT AVAILABLE SEPARATELY

~ = AANTAL (INDIEN NODIG) AFHANKELIJK VAN INBOUWMAAT
QUANTITY (IF APPLICABLE) DEPENDING UPON ASSEMBLY

[—] = SLUITRING

[—/—] = VEERRING

[H/H] = TANDVEERRING

[>|<] = OLIEKEERRING

[T+T] = TANDWIELSET

[D+D] = VULRINGSET

[A+A] = SET AFDICHTINGSRINGEN

WASHER

SPRING WASHER

SHAKE-PROOF WASHER

OIL SEAL

PAIR OF GEARS

SHIM SET

SET OF SEALING RINGS

VERSION DROITE
RECHTE AUSFÜHRUNG

VERSION GAUCHE
LINKE AUSFÜHRUNG

Par version droite ou gauche on entend la position de la pièce, vue de l'arrière de la machine.

Die Verweisungen "rechte Ausführung" oder "linke Ausführung" geben die Position des Teils, von der Hinterseite der Maschine aus gesehen, an.

VERSION ROTATION A DROITE
RECHTSUMDREHENDE AUSFÜHRUNG

VERSION ROTATION A GAUCHE
LINKSUMDREHENDE AUSFÜHRUNG

Version rotation à droit: ceci correspond au sens de rotation de la pièce, vue du dessus la machine.

Mit diesen Verweisungen wird die Drehrichtung des Teils von der Oberseite der Maschine aus gesehen, angegeben.

PIECE N'EST PAS MONTREE
TEIL WIRD NICHT GEZEIGT

Exemple : la version gauche est représentée. La version droite correspond à la version gauche, mais n'est pas représentée.

Beispiel : die linke Ausführung entspricht der effektiv gezeigten Rechten.

VENDU EN KIT UNIQUEMENT
NICHT SEPARAT LIEFERBAR

QUANTITE (SI NÉCESSAIRE) EN FONCTION DU MONTAGE
ANZAHL VOM EINBAUMASS ABHÄNGIG (WENN ERFORDERLICH)

RONDELLE PLATE

RONDELLE GROWER

RONDELLE EVENTAIL

ETANCHEITE

JEU D'ENGRENAGES

JEU D'ÉPAISSEURS

JEU D'ANNEAUX D'ETANCHEITE

UNTERLEGSCHEIBE

FEDERRING

RÄNDELFEDERRING

ÖLDICHTUNGSRING

ZAHNRÄDERSATZ

PASSSCHEIBENSATZ

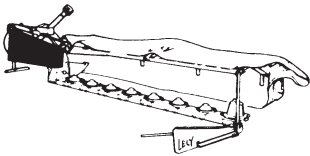
DICHTUNGSRINGENSATZ

LELY

**Inhoud
Contents
Index
Inhalt**

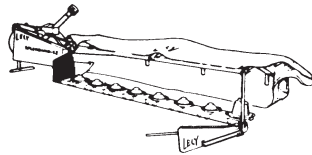
SPLENDIMO L

**pagina
page
page
Seite**



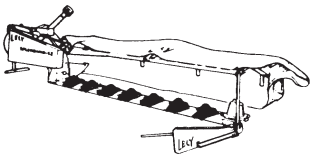
Snaaraandrijving
V-belt drive
Entraînement à courroies
Keilriemenantrieb

01-03



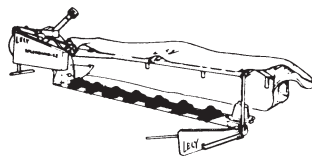
Tandwielkast
Gearbox
Boîte d'engrenages
Getriebe

04



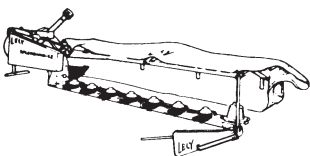
Maaielementen
Cutting units
Unités de fauchage
Mäh-Einheiten

05



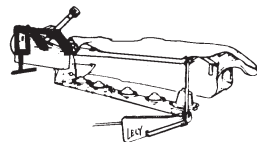
Maaibalk + slijtsloffen
Cutter bar + wear skids
Barre de coupe + patins d'usure
Mähbalken + Verschleißkufen

06-08



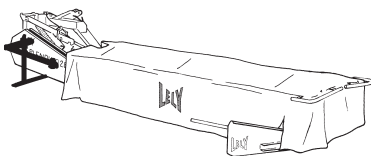
Glijtsloffen + maaibalkbescherming
Skids + cutter bar protection
Patins + protectio-barre
Kufen + Mähwerkschutz

09+10



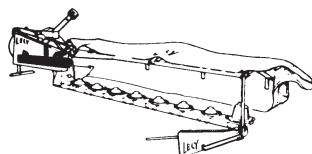
Driepuntsbok
Headstock
Tête d'attelage
Dreipunktturm

11+12



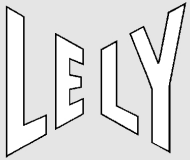
Trekhaak + bumper
Tow bar + bumper
Crochet d'attelage + pare-chocs
Zughaken + Stoßstange

13



Freem + uitslagbeveiliging
Frame + anti-shock device
Châssis + dispositif anto choc
Rahmen + Ausklinkvorrichtung

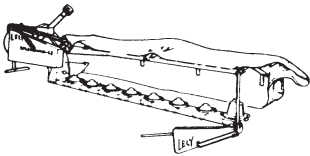
14-15



Inhoud
Contents
Index
Inhalt

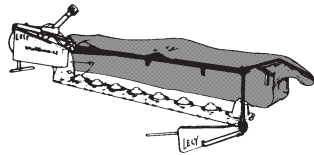
SPLENDIMO L

pagina
page
page
Seite



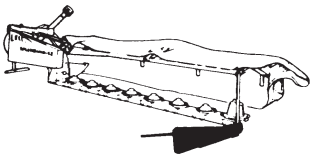
Hydraulische cilinder
Hydraulic ram
Vérin hydraulique
Hydraulikzylinder

16



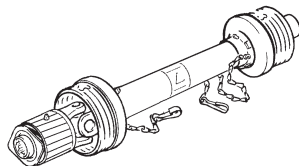
Beveiligingsframe
Protection frame
Châssis de protection
Schutzrahmen

17+18



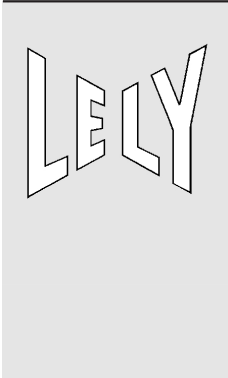
Zwadbord + eindsteun
Swathboard + end support
Planche à andain + support final
Schwadbrett + Endstütze

19-21

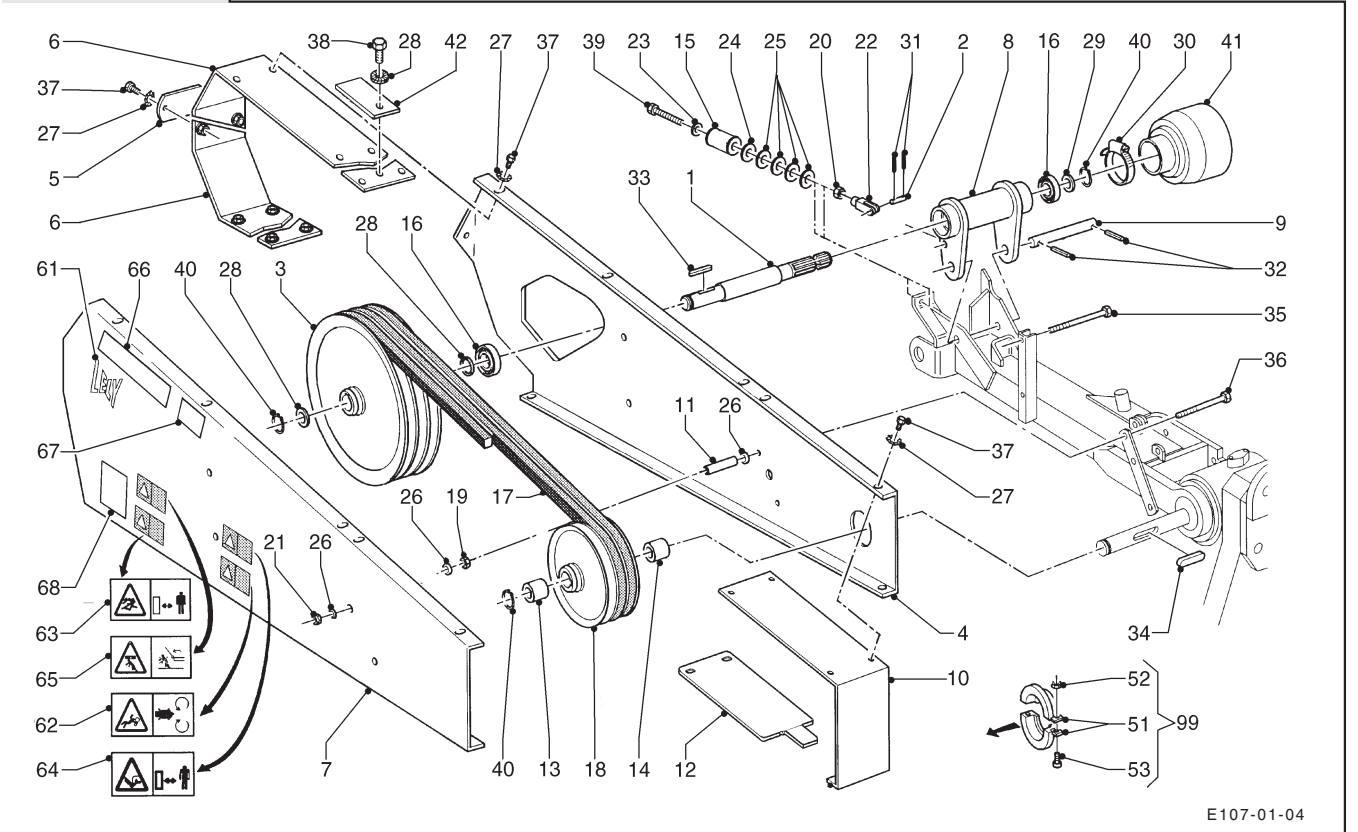


Koppelingsas
PTO-shaft
Arbre de transmission
Gelenkwelle

22-23



SPLENDIMO L	type nummer type number numéro de type Typnummer	vanaf serienummer as from serial number après numéro de serie ab Seriennummer	SPLENDIMO L	type nummer type number numéro de type Typnummer	vanaf serienummer as from serial number après numéro de serie ab Seriennummer
165	4.1257.0000.1 4.1257.0001.1	10711 - 0507 3000292	205 PROFI B	4.1233.0030.1	3003491
205	4.1233.0010.1 4.1233.0011.1 4.1233.0012.1 4.1233.0013.1 4.1233.0014.1 4.1233.0015.1	10804 - 0535 10804 - 0553 10804 - 0535 3000000 10806 - 0511 3000000			



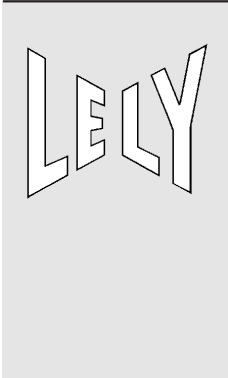
E107-01-04

REF.	ONDERDEELNR. PART NUMBER REFERENCE TEILNUMMER	AANTAL QUANTITY QUANTITE ANZAHL
------	--	--

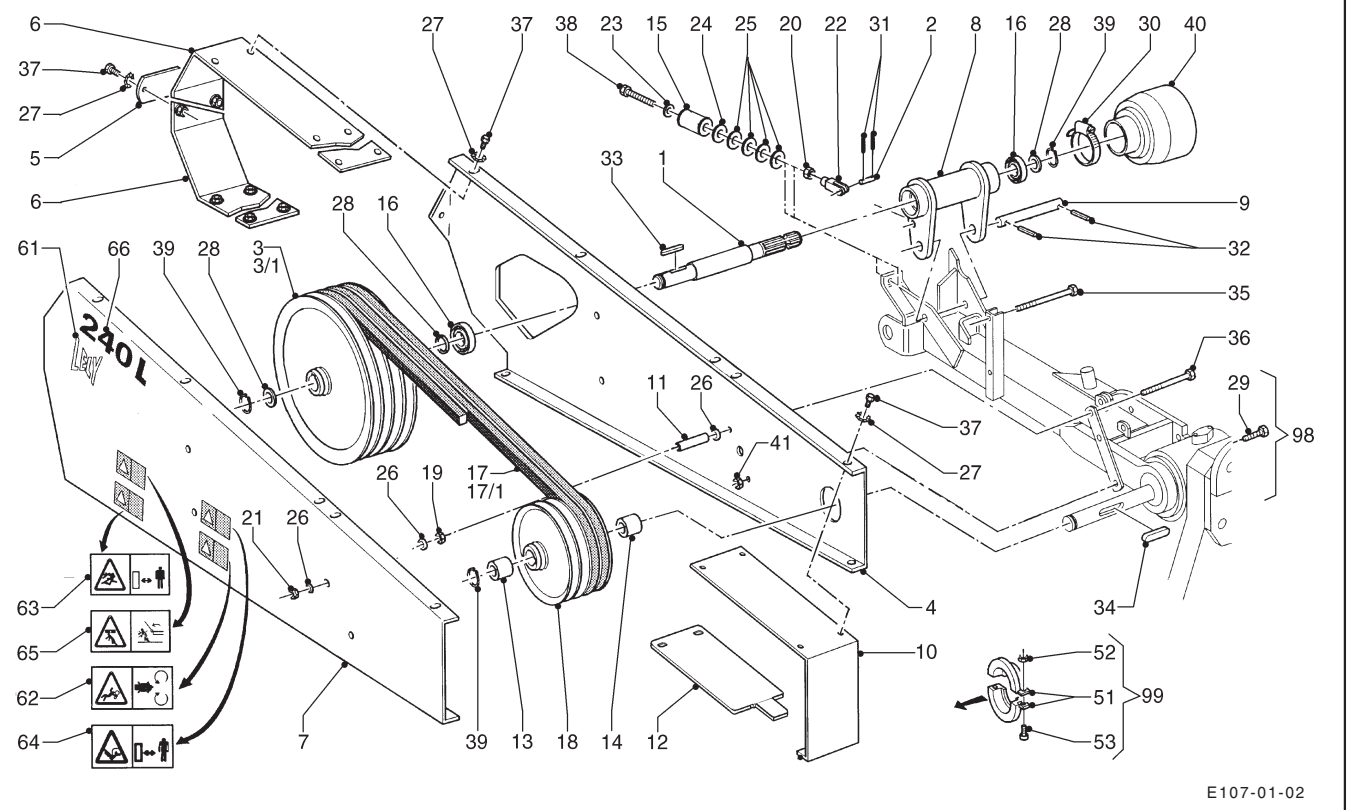
1	4.1201.0498.0	1	
2	4.1201.1471.0	1	
3	4.1201.0519.0	1	
4	4.1207.0623.0	1	
5	4.1207.0624.0	1	
6	4.1207.0660.0	2	
7	4.1210.1488.0	1	
8	4.1225.0420.0	1	
9	4.1225.1494.0	1	
10	4.1229.0170.0	1	
11	4.1229.1498.0	4	L= 112mm
12	4.1240.1462.0	1	
13	4.1233.1493.0	1	L= 34mm
14	4.1233.1494.0	1	L= 16mm
15	4.1251.1483.0	1	L= 50mm
16	9.1001.0087.2	2	6207 2RS1-C3
17	9.1075.0003.5	3	SPB Lw= 2650 SC
18	9.1075.0107.4	1	
19	9.1029.0005*4	4	M10 DIN 934-8
20	9.1029.0008*0	1	M12 DIN 934-8
21	9.1030.0004*2	4	M10 DIN 985-8
22	9.1038.0006*3	1	M12x48 DIN 71752
23	9.1048.0012*6	1	A13 DIN 125
24	9.1048.0041*0	1	A13 DIN 9021
25	9.1048.0067.5	4	A13 DIN 9021 Nylon
26	9.1049.0018.4	12	Nylon
27	9.1051.0001.6	20	A8,2 DIN 6798
28	9.1051.0001.6	2	A8,2 DIN 6798
29	9.1052.0006*3	3	35x45x2,5 DIN 988
30	9.1066.0010*0	1	Ø70-90

REF.	ONDERDEELNR. PART NUMBER REFERENCE TEILNUMMER	AANTAL QUANTITY QUANTITE ANZAHL
------	--	--

31	9.1070.0018.4	2	Ø6x40 DIN 1481
32	9.1070.0023.2	2	Ø8x50 DIN 1481
33	9.1071.0037.1	1	A10x8x80 DIN 6885
34	9.1071.0016.1	1	A10x8x40 DIN 6885
35	9.1113.0143*2	2	M10x150 931-8.8
36	9.1113.0292*4	2	M10x160 931-8.8
37	9.1113.0341*1	20	M8x20 DIN 933-10.9
38	9.1113.0341*1	2	M8x20 DIN 933-10.9
39	9.1113.0360*1	1	M12x50 DIN 933-10.9
40	9.1119.0019.5	3	35x2,50 DIN 471
41	9.1161.0014.0	1	
42	4.1233.0688.0	2	
51	4.1201.2310.0	2	
52	9.1029.0004*3	2	M8 DIN 934-8
53	9.1057.0003.2	2	M8x20 DIN 912-8.8
61	9.1170.0200.2	1	"LELY"
62	9.1170.0407.6	1	
63	9.1170.0410.2	1	
64	9.1170.0419.4	1	
65	9.1170.0420.5	1	
66	9.1170.0523.3	1	"205L"
	9.1170.0544.6	1	"165L" [x]
67	9.1170.0564.2	1	"HD"
	9.1170.0604.0	1	"PROFI" [x]
68	9.1170.0579.3	1	"Max 75 kg - Max 750 kg"
99	4.1201.2300.0	(1)	= REF. 51-53



SPLENDIMO L	type number type number numéro de type Typnummer	vanaf serienummer as from serial number après numéro de serie ab Seriennummer	SPLENDIMO L	type number type number numéro de type Typnummer	vanaf serienummer as from serial number après numéro de serie ab Seriennummer
240	4.1230.0009.1	3000000	280	4.1229.0010.1	3001230
	4.1230.0011.1	10804 - 0546		4.1229.0011.1	10803 - 0702
	4.1230.0012.1	10806 - 0834		4.1229.0012.1	3000000
	4.1230.0013.1	3000000		4.1229.0013.1	3000000
	4.1230.0014.1	3000915		4.1229.0014.1	3000000
	4.1230.0015.1	3000000			



E107-01-02

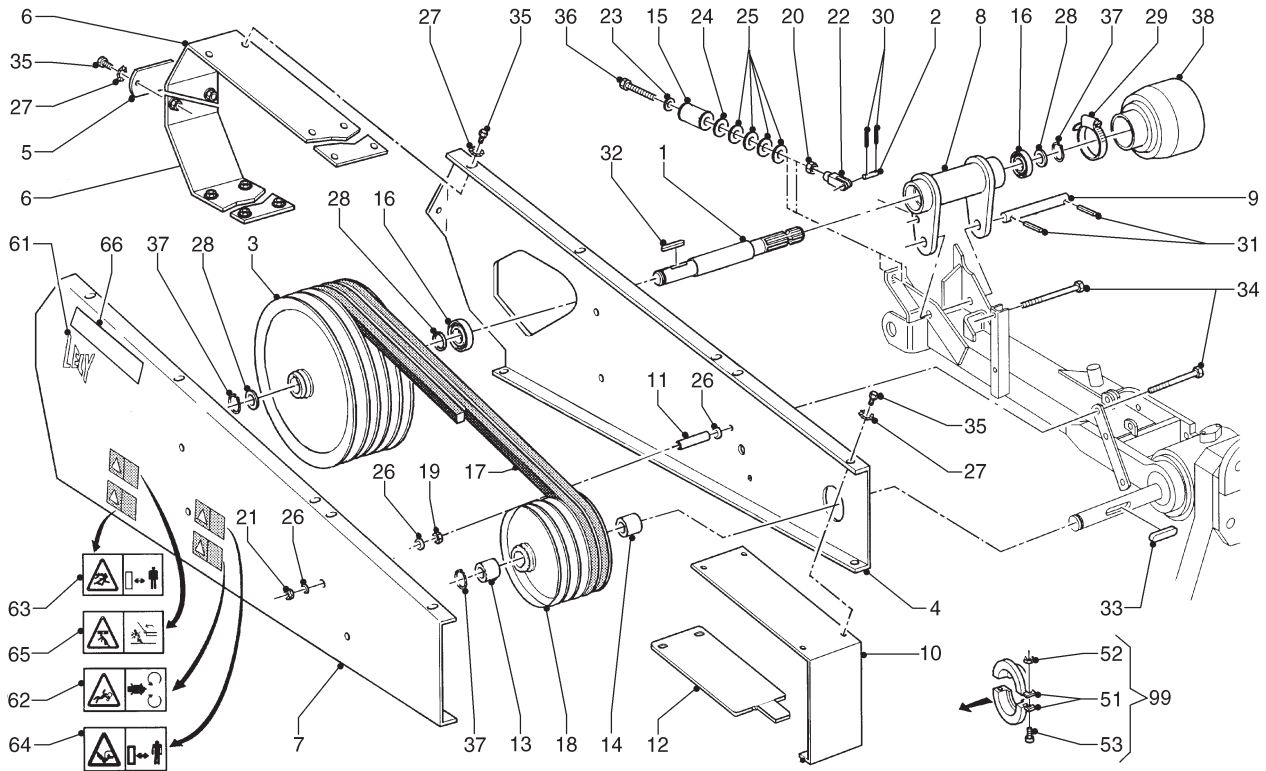
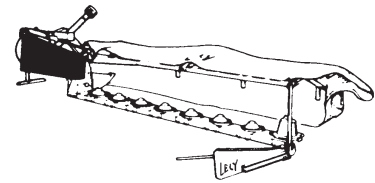
REF.	ONDERDEELNR. PART NUMBER REFERENCE TEILNUMMER	AANTAL QUANTITY QUANTITE ANZAHL		
1	4.1201.0498.0	1		
2	4.1201.1471.0	1		
3	4.1203.0527.0	1		
3/1	4.1220.1490.0	(1)	1000/min	[x]
4	4.1207.0623.0	1		
5	4.1207.0624.0	1		
6	4.1207.0660.0	2		
7	4.1210.1488.0	1		
8	4.1225.0420.0	1		
9	4.1225.1494.0	1		
10	4.1229.0170.0	1		
11	4.1229.1498.0	4	L= 112mm	
12	4.1240.1462.0	1		
13	4.1251.1487.0	1	L= 29mm	
14	4.1251.1488.0	1	L= 21mm	
15	4.1251.1483.0	1	L= 50mm	
16	9.1001.0087.2	2	6207 2RS1-C3	
17	9.1075.0003.5	4	SPB Lw= 2650 SC	
17/1	9.1075.0002.4	(4)	SPB Lw= 2360SC 1000/min	[x]
18	9.1075.0105.2	1	180SPB4	
19	9.1029.0005*4	4	M10 DIN 934-8	
20	9.1029.0008*0	1	M12 DIN 934-8	
21	9.1030.0004*2	4	M10 DIN 985-8	
22	9.1038.0006*3	1	M12x48 DIN 71752	
23	9.1048.0012*6	1	A13 DIN 125	[]
24	9.1048.0041*0	1	A13 DIN 9021	[]
25	9.1048.0067.5	4	A13 DIN 9021 Nylon	[]
26	9.1049.0018.4	12	Nylon	[]
27	9.1051.0001.6	20	A8,2 DIN 6798	[####]

REF.	ONDERDEELNR. PART NUMBER REFERENCE TEILNUMMER	AANTAL QUANTITY QUANTITE ANZAHL		
28	9.1052.0006*3	3	35x45x2,5 DIN 988	
29	9.1058.0045*1	(1)	M10x25 DIN 603-8.8	
30	9.1066.0010*0	1	Ø70-90	
31	9.1070.0018.4	2	Ø6x40 DIN 1481	
32	9.1070.0023.2	2	Ø8x50 DIN 1481	
33	9.1071.0037.1	1	A10x8x80 DIN 6885	
34	9.1071.0055.5	1	A10x8x45 DIN 6885	
35	9.1113.0143*2	2	M10x150 931-8.8	
36	9.1113.0292*4	2	M10x160 931-8.8	
37	9.1113.0341*1	20	M8x20 DIN 933-10.9	
38	9.1113.0360*1	1	M12x50 DIN 933-10.9	
39	9.1119.0019.5	3	35x2,50 DIN 471	
40	9.1161.0014.0	1		
41	9.1030.0004*2	(1)	M10 DIN 985-8	
51	4.1201.2310.0	2		
52	9.1029.0004*3	2	M8 DIN 934-8	
53	9.1057.0003.2	2	M8x20 DIN 912-8.8	
61	9.1170.0200.2	1	"LELY"	
62	9.1170.0407.6	1		
63	9.1170.0410.2	1		
64	9.1170.0419.4	1		
65	9.1170.0420.5	1		
66	9.1170.0524.4	1	"240L"	
	9.1170.0525.5	1	"280L"	[x]
98	4.1203.0150.0	(1)	540 → 1000/min = REF. 3/1+17/1+29+41	
99	4.1201.2300.0	(1)	= REF. 51-53	

LELY

SPLENDIMO L

SPLENDIMO L	type number type number numéro de type Typnummer	vanaf serienummer as from serial number après numéro de serie ab Seriennummer
320	4.1225.0020.1 4.1225.0021.1 4.1225.0022.1	3000751 10805 - 0688 3000000



E107-01-03

REF.	ONDERDEELNR. PART NUMBER REFERENCE TEILNUMMER	AANTAL QUANTITY QUANTITE ANZAHL
------	--	--

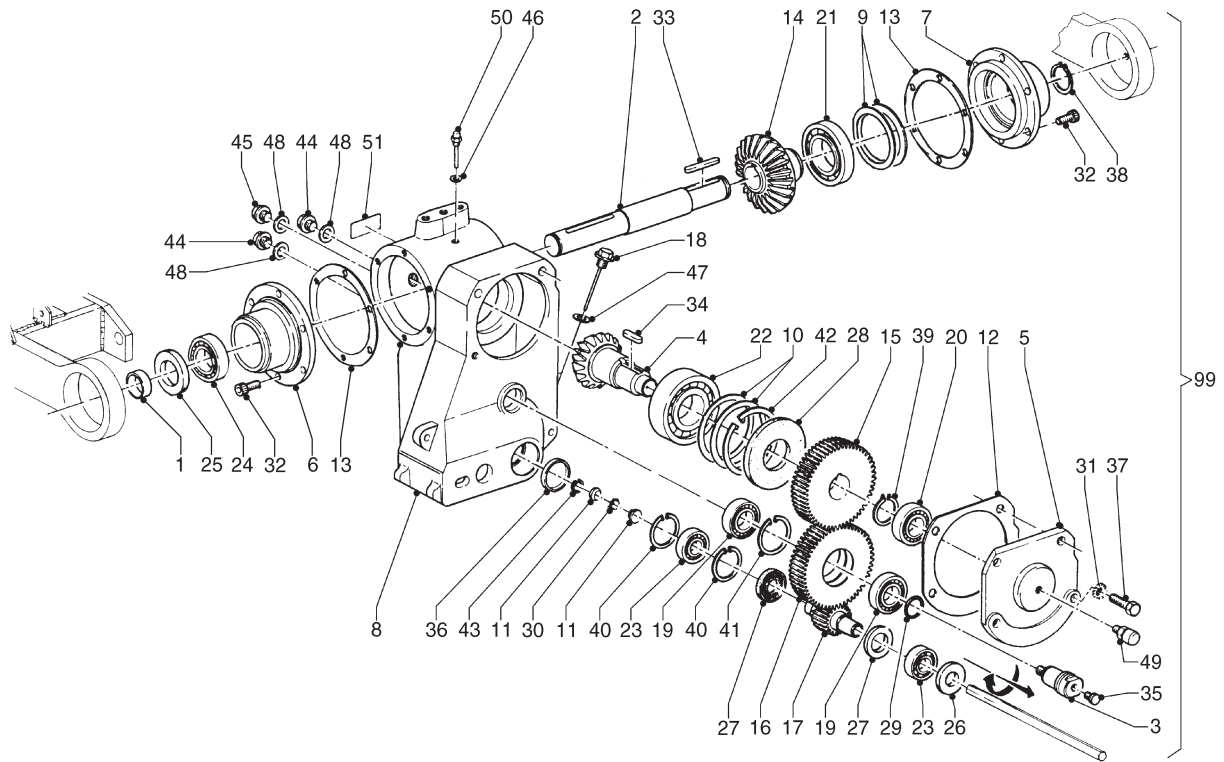
1	4.1201.0498.0	1
2	4.1201.1471.0	1
3	4.1225.0319.0	1
4	4.1207.0623.0	1
5	4.1225.1487.0	1
6	4.1225.0511.0	2
7	4.1210.1488.0	1
8	4.1225.0420.0	1
9	4.1225.1494.0	1
10	4.1225.0290.0	1
11	4.1225.1497.0	4 L= 127mm
12	4.1225.1484.0	1
13	4.1225.1482.0	1 L= 18,5mm
14	4.1225.1481.0	1 L= 25,5mm
15	4.1251.1483.0	1 L= 50mm
16	9.1001.0087.2	2 6207 2RS1-C3
17	9.1075.0003.5	5 SPB Lw= 2650 SC
	9.1075.0025.6	5 SPB Lw= 2650 [x]
18	9.1075.0109.6	1 180SPB5
19	9.1029.0005*4	4 M10 DIN 934-8
20	9.1029.0008*0	1 M12 DIN 934-8
21	9.1030.0004*2	4 M10 DIN 985-8
22	9.1038.0006*3	1 M12x48 DIN 71752
23	9.1048.0012*6	1 A13 DIN 125 [—]
24	9.1048.0041*0	1 A13 DIN 9021 [—]
25	9.1048.0067.5	4 A13 DIN 9021 Nylon [—]

REF.	ONDERDEELNR. PART NUMBER REFERENCE TEILNUMMER	AANTAL QUANTITY QUANTITE ANZAHL
------	--	--

26	9.1049.0018.4	12 Nylon [—]
27	9.1051.0001.6	20 A8,2 DIN 6798 [####]
28	9.1052.0006*3	3 35x45x2,5 DIN 988
29	9.1066.0010*0	1 Ø70-90
30	9.1070.0018.4	2 Ø6x40 DIN 1481
31	9.1070.0023.2	2 Ø8x50 DIN 1481
32	9.1071.0037.1	1 A10x8x80 DIN 6885
33	9.1071.0055.5	1 A10x8x45 DIN 6885
34	9.1113.0293*5	4 M10x170 DIN 931-8.8
35	9.1113.0341*1	20 M8x20 DIN 933-10.9
36	9.1113.0360*1	1 M12x50 DIN 933-10.9
37	9.1119.0019.5	3 35x2,50 DIN 471
38	9.1161.0014.0	1
51	4.1201.2310.0	2
52	9.1029.0004*3	2 M8 DIN 934-8
53	9.1057.0003.2	2 M8x20 DIN 912-8.8
61	9.1170.0200.2	1 "LELY"
62	9.1170.0407.6	1
63	9.1170.0410.2	1
64	9.1170.0419.4	1
65	9.1170.0420.5	1
66	9.1170.0526.6	1 "320L"
99	4.1201.2300.0	(1) = REF. 51-53

LELY

SPLENDIMO L	type number type number numéro de type Typnummer	vanaf serienummer as from serial number après numéro de serie ab Seriennummer	SPLENDIMO L	type number type number numéro de type Typnummer	vanaf serienummer as from serial number après numéro de serie ab Seriennummer
165	4.1257.0000.1	10711 - 0507	240	4.1230.0009.1	3000000
	4.1257.0001.1	3000292		4.1230.0011.1	10804 - 0546
205	4.1233.0010.1	10804 - 0535	4.1230.0012.1	10806 - 0834	
	4.1233.0011.1	10804 - 0553	4.1230.0013.1	3000000	
	4.1233.0012.1	10804 - 0535	4.1230.0014.1	3000915	
	4.1233.0013.1	3000000	4.1230.0015.1	3000000	
	4.1233.0014.1	10806 - 0511			
205 PROF	4.1233.0015.1	3000000	280	4.1229.0010.1	3001230
	4.1233.0030.1	3003491	320	4.1229.0011.1	10803 - 0702
				4.1229.0012.1	3000000
				4.1229.0013.1	3000000
				4.1229.0014.1	3000000
				4.1225.0020.1	3000751
				4.1225.0021.1	10805 - 0688
				4.1225.0022.1	3000000



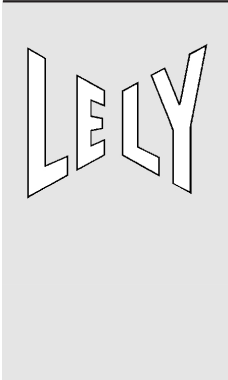
E078-05-11

REF.	ONDERDEELNR. PART NUMBER REFERENCE TEILNUMMER	AANTAL QUANTITY QUANTITE ANZAHL		
------	--	--	--	--

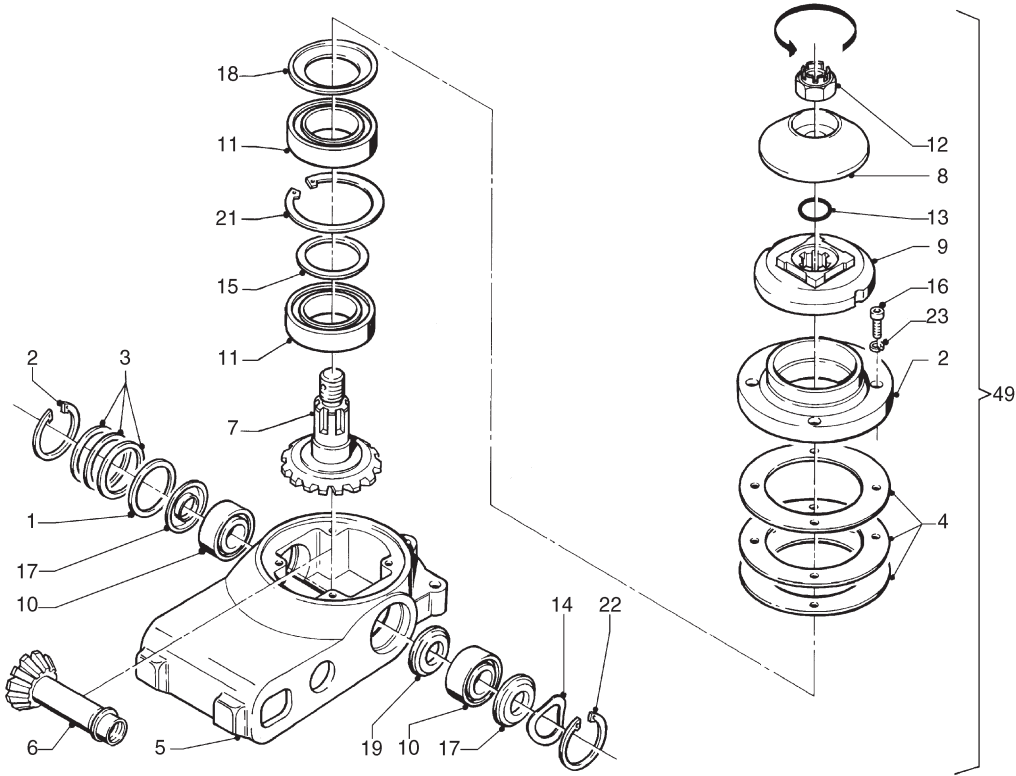
1	4.1220.0122.0	1		
2	4.1225.0135.0	1		
3	4.1225.0137.0	1		
4	4.1225.0136.0	1	M14-L	
5	4.1225.0138.0	1		
6	4.1225.0139.0	1		
7	4.1225.0140.0	1		
8	4.1225.0141.0	1		
	9.1171.0042.4	(0,4+0,4L)	1L GX85W-140	
9	4.1225.0142.0	(1)	[D+D]	[]
10	4.1225.0143.0	(1)	[D+D]	[]
11	4.1225.0144.0	2		
12	4.1225.0145.0	1		
13	4.1225.0148.0	2	0,5 mm	
14	4.1225.0151.0	1		
15	4.1225.0153.0	1		
16	4.1225.0154.0	1		
17	4.1225.0155.0	1		
18	4.1225.0231.0	1		
19	9.1001.0063.6	2	6305 C4	
20	9.1001.0107.1	1	6207 C3	
21	9.1001.0114.1	1	6211 C3	
22	9.1001.0127.0	1	6212 C3	
23	9.1001.0129.2	2	6205 C5	
	#	(10gr+20gr)	Unirex N3 Esso (0,4 kg= 9.1171.0050.5)	

REF.	ONDERDEELNR. PART NUMBER REFERENCE TEILNUMMER	AANTAL QUANTITY QUANTITE ANZAHL		
------	--	--	--	--

24	9.1001.0130.3	1	6207 ETN9-C3	
25	9.1042.0066.3	1	40x72x10 CC NBR	[> <]
26	9.1042.0074.4	1	25x52x7 CB	[> <]
27	9.1042.0075.5	2	30x52x7 CB	[> <]
28	9.1042.0080.3	1	60x110x13 CB	[> <]
29	9.1043.0044.1	1	Ø29,2x3,0	
30	9.1043.0045.2	1	Ø14x2,0	
31	9.1051.0005*3	2	A14,5 DIN 6798	[####]
32	9.1057.0010.2	12	M10x25 DIN 912-12.9	
33	9.1071.0021.6	1	A10x8x63 DIN 6885	
34	9.1071.0049.6	1	B12x8x30 DIN 6885	
35	9.1108.0034.3	1	G1/8"	
36	9.1108.0079.0	1	Ø52x6,5	
37	9.1113.0142*1	2	M14x40 DIN 933-8.8	
38	9.1119.0019.5	1	35x2,50 DIN 471	
39	9.1119.0020.6	1	42x1,75 DIN 471	
40	9.1120.0003.2	2	52x2,00 DIN 472	
41	9.1120.0005.4	1	62x2,00 DIN 472	
42	9.1120.0016.1	1	110x4,00 DIN 472	
43	9.1120.0028.6	1	18x1,00 DIN 472	
44	9.1131.0013.1	2	R1/2" DIN 910	
45	9.1137.0012.0	1	R1/2" DIN 910	
46	9.1137.0401.5	1	Ø14x20x1,5 Cu	[]
47	9.1137.0406.3	1	Ø12,5x19x1,5 Cu	[]
48	9.1137.0411.1	3	NBR-2C 21,54x28,58x2,34	
49	9.1150.0011.1	1	G1/4"	
50	9.1150.0015.5	1	G1/4"	
51	9.1170.0352.0	1	"GX85W-140"	
99	4.1225.0111.2	1	= REF. 1-51	



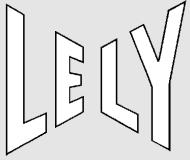
SPLENDIMO L	type number type number numéro de type Typnummer	vanaf serienummer as from serial number après numéro de serie ab Seriennummer	SPLENDIMO L	type number type number numéro de type Typnummer	vanaf serienummer as from serial number après numéro de serie ab Seriennummer
165	4.1257.0000.1	10711 - 0507 3000292	240	4.1230.0009.1	3000000 10804 - 0546 10806 - 0834
	4.1257.0001.1			4.1230.0011.1	
205	4.1233.0010.1	10804 - 0535 10804 - 0553 10804 - 0535 3000000 10806 - 0511 3000000	280	4.1230.0012.1	3000000 3000915 3000000
	4.1233.0011.1			4.1230.0013.1	
	4.1233.0012.1			4.1230.0014.1	
	4.1233.0013.1			4.1230.0015.1	
	4.1233.0014.1				
205 PROFI	4.1233.0015.1	3003491	320	4.1229.0010.1	3001230 10803 - 0702 3000000
	4.1233.0030.1			4.1229.0011.1	
				4.1229.0012.1	3000000
				4.1229.0013.1	3000000
				4.1229.0014.1	3000000
				4.1225.0020.1	3000751
				4.1225.0021.1	10805 - 0688
				4.1225.0022.1	3000000



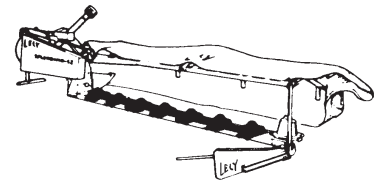
E063-05-01

REF.	ONDERDEELNR. PART NUMBER REFERENCE TEILNUMMER	AANTAL QUANTITY QUANTITE ANZAHL	
1	4.1201.0061.0	1	
2	4.1220.0061.0	1	
3	4.1220.0078.0	(1)	[D+D]
4	4.1220.0079.0	(1)	[D+D]
5	4.1220.0287.0	1	
	9.1171.0038.0	1	0,095 kg ALVANIA WR-0 SHELL
	9.1171.0039.1	(0,095 kg)	1 kg ALVANIA WR-0 SHELL
	9.1171.0040.2	(0,095 kg)	5 kg ALVANIA WR-0 SHELL
	9.1171.0041.3	(0,095 kg)	10 kg ALVANIA WR-0 SHELL
6	4.1220.0288.0	1	
7	4.1220.0289.0	1	
8	4.1220.1467.0	1	
9	4.1225.0189.0	1	
10	9.1001.0064.0	2	6005 2RS1-C4
11	9.1001.0065.1	2	6009 2RS1-C5L
12	9.1031.0014.4	1	M22x1,5 DIN 937-22H
13	9.1043.0061.4	1	Ø23x2
14	9.1049.0013.6	1	46,5x40-G 6005
15	9.1052.0004.1	1	45x55x3 DIN 988
16	9.1057.0089.4	4	M8x25 DIN 912-12.9
17	9.1107.0007.5	2	6005 ZJV
18	9.1107.0008.6	1	6009 ZAV
19	9.1107.0014.5	1	6005 ZAV
20	9.1120.0002.1	1	47x1,75 DIN 472
21	9.1120.0026.4	1	75x3,00 DIN 472
22	9.1120.0027.5	1	47x1,75 V
23	9.1121.0024*1	4	8 DIN 7980 [—/—]

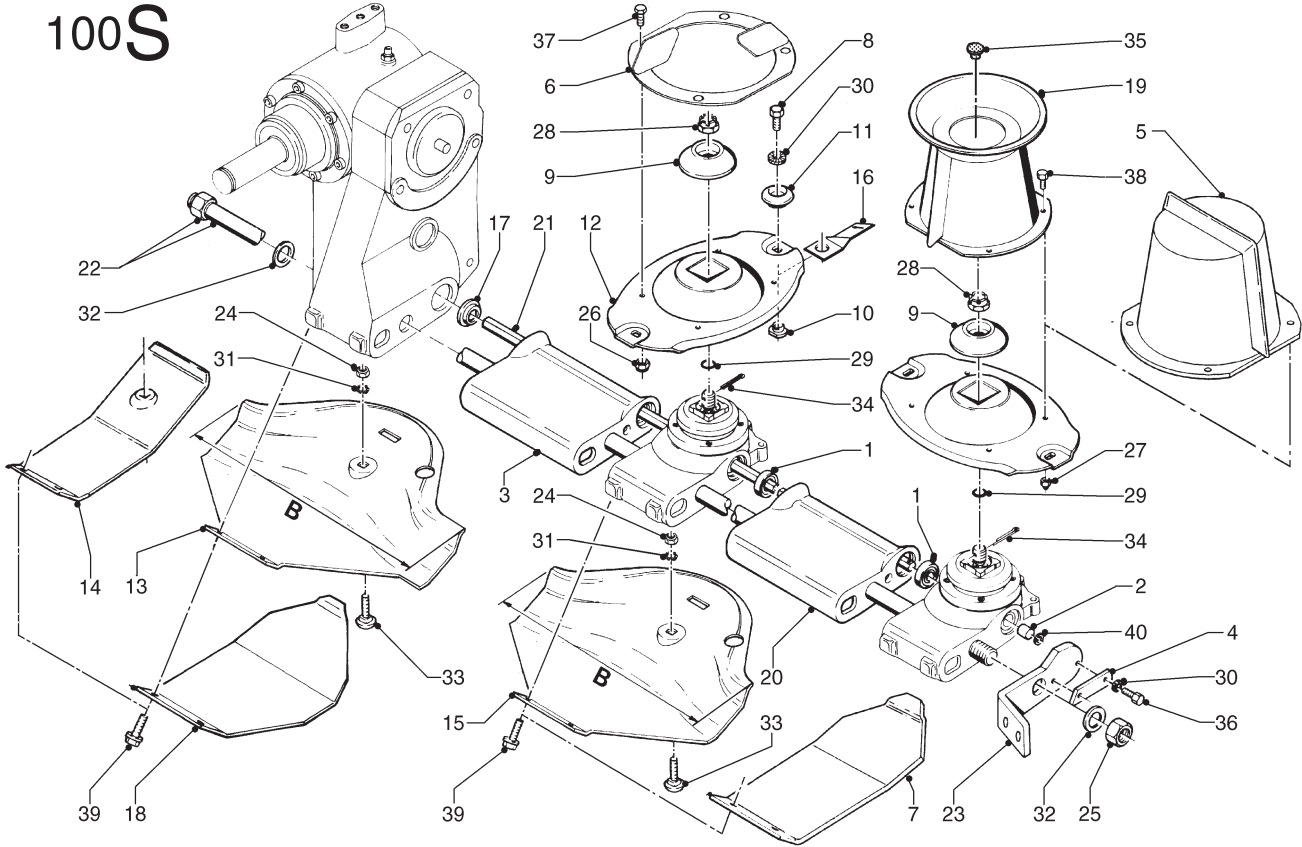
REF.	ONDERDEELNR. PART NUMBER REFERENCE TEILNUMMER	AANTAL QUANTITY QUANTITE ANZAHL	
		165 205 240 280 320	
49	4.1220.0290.1	2 2 3 3 4	= REF. 1-23 [LD]
49	4.1220.0270.1	2 3 3 4 4	= REF. 1-23[x] [RD]



SPLENDIMO L	type nummer type number número de type Typnummer	vanaf serienummer as from serial number après numéro de serie ab Seriennummer
205	4.1233.0015.1	3000000
240	4.1230.0015.1	3000000
280	4.1229.0014.1	3000000



100S



E079-03-12

REF.	ONDERDEELNR. PART NUMBER REFERENCE TEILNUMMER	AANTAL QUANTITY QUANTITE ANZAHL
------	--	--

205 240 280

1	4.1201.0145.0	9 11 13
2	4.1201.0329.0	- 1 -
	4.1225.0108.0	1 - 1
3	4.1220.0033.0	4 6 6
4	4.1220.0034.0	1 1 1
5	4.1220.0360.0	(1) (1) -
6	4.1220.0510.0	(3) (3) (4)
	4.1220.0440.0	(1) (2) (2)
7	4.1220.1329.0	(5) (6) (7)
8	4.1220.1465.0	10 12 14
9	4.1220.1467.0	5 6 7
10	4.1220.1474.0	10 12 14
11	4.1220.1493.0	10 12 14
12	4.1220.1499.0	5 6 7
13	4.1220.1961.0	2 1 2
14	4.1220.1962.0	(5) (6) (7)
15	4.1220.1963.0	3 5 5
16	4.1220.1996.0	6 6 8
	4.1220.1995.0	4 6 6
17	4.1225.0109.0	1 1 1
18	4.1225.0569.0	1 1 1
	4.1225.0689.0	- (1) (1)
19	4.1228.0100.0	1 1 1
20	4.1229.0109.0	1 - 1

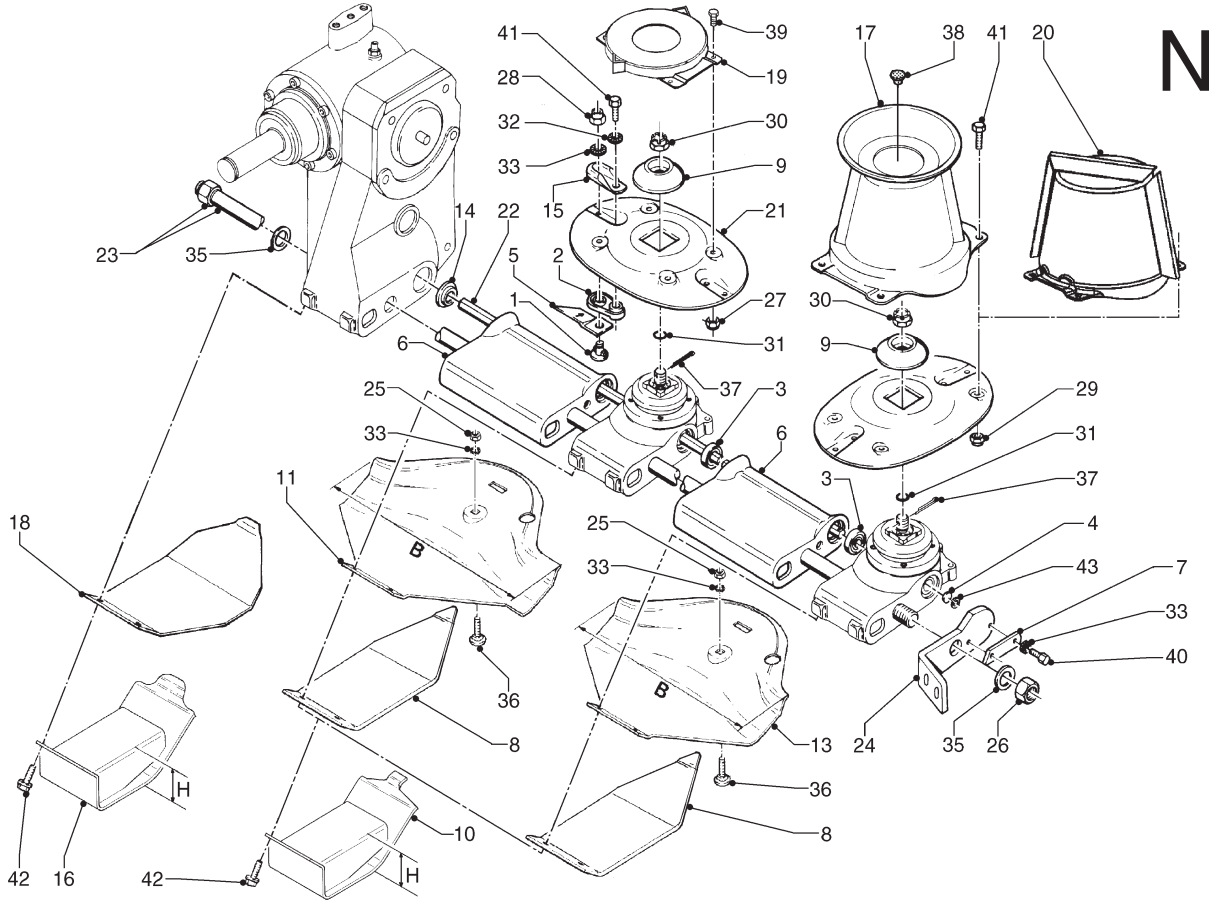
REF.	ONDERDEELNR. PART NUMBER REFERENCE TEILNUMMER	AANTAL QUANTITY QUANTITE ANZAHL
------	--	--

205 240 280

21	4.1230.0129.0	- 1 -	L= 2349mm
	4.1233.0129.0	1 - -	L= 1992mm
	4.1229.0148.0	- - 1	L= 1203mm
	4.1225.0179.0	- - 1	L= 1547mm
22	4.1240.0120.0	- 1 -	
	4.1233.0111.0	1 - -	
	4.1242.0120.0	- - 1	
23	4.1273.0150.0	1 1 1	
24	9.1029.0005*4	5 6 7	M10 DIN 934-8
25	9.1029.0024.2	1 1 1	M30x1,5 DIN 934-10
26	9.1030.0040*3	(16) (20) (24)	M8 DIN 985-10
27	9.1030.0040*3	4 4 4	M8 DIN 985-10
28	9.1031.0014.4	5 6 7	= REF. 12 Pag. 05
29	9.1043.0061.4	5 6 7	= REF. 13 Pag. 05
30	9.1051.0002.0	12 14 16	A10,5 DIN 6798 [####]
31	9.1051.0002.0	5 6 7	A10,5 DIN 6798 [####]
32	9.1052.0011.1	2 2 2	30x42x2,5 DIN 988 [———]
33	9.1058.0015*6	5 6 7	M10x35 DIN 603-8.8
34	9.1072.0030.0	5 6 7	3,2x36 DIN 94
35	9.1108.0063.5	1 1 1	Ø9,3
36	9.1113.0027*5	2 2 2	M10x20 DIN 933-8.8
37	9.1113.0341*0	(16) (20) (24)	M8x20 DIN 933-10.9
38	9.1113.0341*3	4 4 4	M8x20 DIN 933-10.9
39	9.1114.0009*0	10 12 14	M10x30 8.8
40	9.1120.0028.6	1 1 1	18x1,00 DIN 472



SPLENDIMO L			type nummer type number número de type Typnummer	vanaf serienummer as from serial number après numéro de serie ab Serienummer	SPLENDIMO L			type nummer type number número de type Typnummer	vanaf serienummer as from serial number après numéro de serie ab Serienummer
165			4.1257.0000.1	10711 - 0507	205	A-G F-G	4.1233.0013.1	3000000	
			4.1257.0001.1	3000292			4.1233.0014.1	10806 - 0511	
205	F-G C-E-F F-G		4.1233.0010.1	10804 - 0535	205 PROFI		4.1233.0030.1	3003491	
			4.1233.0011.1	10804 - 0553					
			4.1233.0012.1	10804 - 0535					



E087-03-04

REF.	ONDERDEELNR. PART NUMBER REFERENCE TEILNUMMER	AANTAL QUANTITY QUANTITE ANZAHL
------	--	--

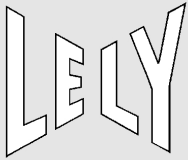
165 205 205 PROFI

1	4.1201.0141.0	8 10 10
2	4.1201.0142.0	8 10 10
3	4.1201.0145.0	7 9 9
4	4.1201.0329.0	1 - - L= 5mm
	4.1225.0108.0	- 1 1 L= 18mm
5	4.1201.1474.0	4 6 6 L= 120mm [RD]
	4.1201.1473.0	4 4 4 L= 120mm [LD]
6	4.1220.0033.0	4 4 4 L= 250mm
	4.1229.0109.0	- 1 1 L= 285mm
7	4.1220.0034.0	1 1 1
8	C 4.1220.1329.0	(4) (5) - 4mm
	C 4.1220.1911.0	(4) (5) (5) 8mm
	4.1225.0359.0	(4) (5) - 10mm
	4.1225.0499.0	- (5) - 8mm
9	4.1220.1467.0	4 5 5 = REF. 8 Pag. 05
10	4.1220.1930Z0	(2-4)(3-5)(3-5) H= 75mm
11	G 4.1220.1961.0	1 2 2 B= 378mm
13	4.1220.1963.0	3 3 3 B= 378mm
14	4.1225.0109.0	1 1 1
15	4.1225.0449.0	8 10 10
16	4.1225.0670Z0	(1) (1) (1) H= 75mm
17	F 4.1225.0480.0	1 1 1
18	4.1225.0569.0	1 - - 4mm
	4.1225.0569.0	1 (1) - 4mm
E	4.1225.0689.0	(1) (1) (1) 8mm

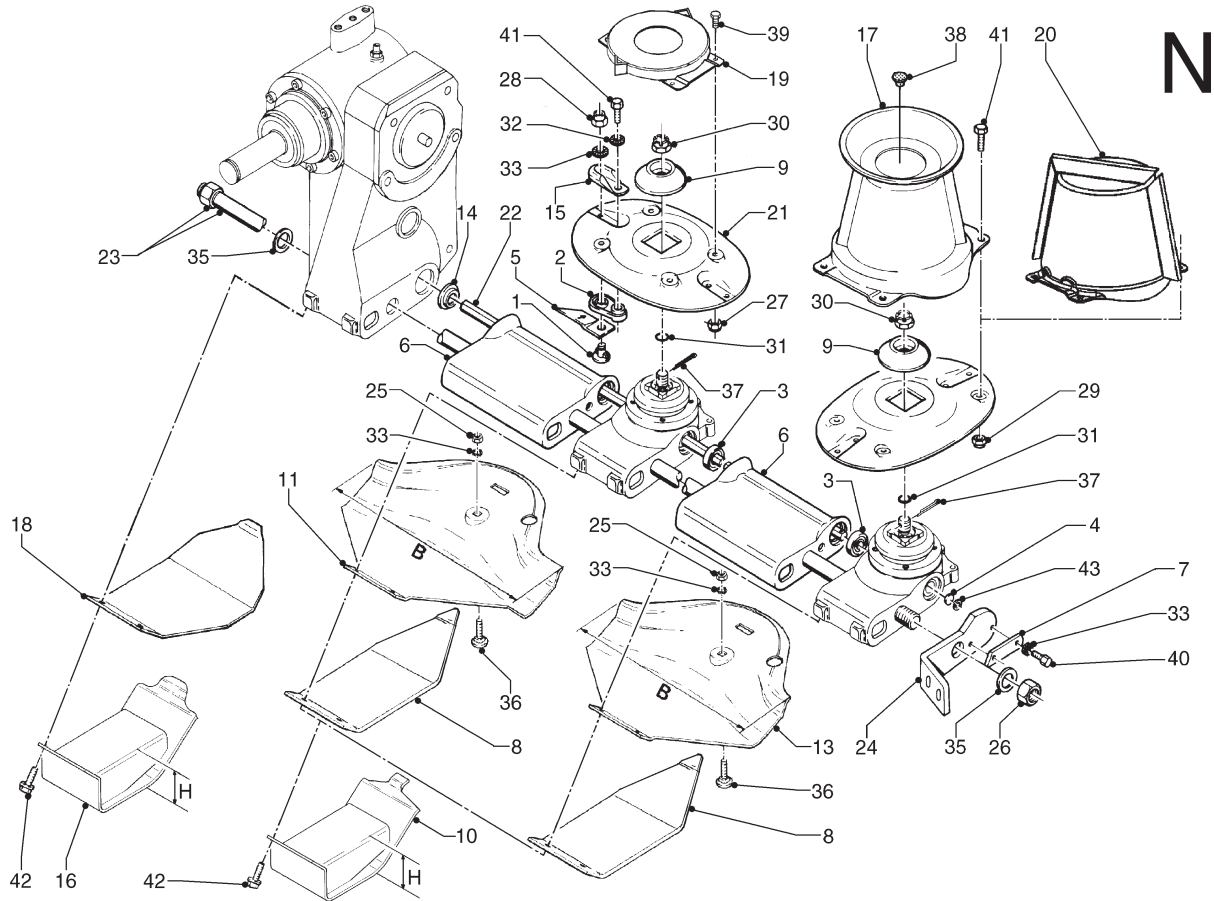
REF.	ONDERDEELNR. PART NUMBER REFERENCE TEILNUMMER	AANTAL QUANTITY QUANTITE ANZAHL
------	--	--

165 205 205 PROFI

19	4.1225.0620.0	(3) (4) (4)
20	A 4.1225.0640.0	(1) 1 1
	4.1225.1489.0	4 5 5
22	4.1257.1480.0	1 - - L= 1585mm
	4.1233.0129.0	- 1 - L= 1992mm
	4.1233.0648.0	- 1 1 L= 408mm
	C 4.1233.0649.0	- 2 2 L= 792mm
23	4.1257.0110.0	1 - -
	4.1233.0111.0	- 1 1
24	4.1273.0150.0	1 1 1
25	9.1029.0005*4	4 5 5 M10 DIN 934-8
26	9.1029.0024.2	1 1 1 M30x1,5 DIN 934-10
27	9.1030.0012*3	(12) (16) (16) M8 DIN 985-8
28	9.1030.0018*2	8 10 10 M10 DIN 985-10
29	9.1030.0040*3	4 4 4 M8 DIN 985-10
30	9.1031.0014.4	4 5 5 = REF. 12 Pag. 05
31	9.1043.0061.4	4 5 5 = REF. 13 Pag. 05
32	9.1051.0001.6	8 10 10 A8,2 DIN 6798
33	9.1051.0002.0	14 17 17 A10,5 DIN 6798
35	9.1052.0011.1	2 2 2 30x42x2,5 DIN 988
36	9.1058.0015*6	4 5 5 M10x35 DIN 603-8.8
37	9.1072.0030.0	4 5 5 3,2x36 DIN 94
38	9.1108.0063.5	1 1 1 Ø9,3
39	9.1113.0014*6	(12) (16) (16) M8x20 DIN 933-8.8
40	9.1113.0027*5	2 2 2 M10x20 DIN 933-8.8
41	9.1113.0341*3	12 14 14 M8x20 DIN 933-10.9
42	9.1114.0009*0	8 10 10 M10x30 8.8
43	9.1120.0028.6	1 1 1 18x1,00 DIN 472



SPLENDIMO L		type nummer type number número de type Typnummer	vanaf serienummer as from serial number après numéro de serie ab Seriennummer	SPLENDIMO L		type nummer type number número de type Typnummer	vanaf serienummer as from serial number après numéro de serie ab Seriennummer	
240	B-F	4.1230.0009.1	3000000	280	A-C-E	4.1229.0012.1	3000000	
	E-F	4.1230.0011.1	10804 - 0546		A-D-F	4.1229.0013.1	3000000	
	C-E-F	4.1230.0012.1	10806 - 0834		320	E-F	4.1225.0020.1	3000751
	A-C-E	4.1230.0013.1	3000000			C-D-E-F	4.1225.0021.1	10805 - 0688
	D-F	4.1230.0014.1	3000915			A-C-D-E	4.1225.0022.1	3000000
280	E-F	4.1229.0010.1	3001230					
	C-E-F	4.1229.0011.1	10803 - 0702					



E087-03-04

REF.	ONDERDEELNR. PART NUMBER REFERENCE TEILNUMMER	AANTAL QUANTITY QUANTITE ANZAHL
------	--	--

240 280 320

1	4.1201.0141.0	12 14 16	
2	4.1201.0142.0	12 14 16	
3	4.1201.0145.0	11 13 15	
4	4.1201.0329.0 4.1225.0108.0	1 - - - 1 1	L= 5mm L= 18mm [x]
5	4.1201.1474.0 4.1201.1473.0	6 8 8 6 6 8	L= 120mm [RD] L= 120mm [LD] [x]
6	4.1220.0033.0 4.1229.0109.0	6 6 8 - 1 -	L= 250mm L= 285mm
7	4.1220.0034.0	1 1 1	
8	C 4.1220.1329.0 D 4.1220.1911.0 B 4.1225.0359.0 B 4.1225.0499.0	(6) (7) (8) (6) (7) (8) 6 (7) (78) (6) (7) (8)	4mm 8mm [x] 10mm [x] 4mm [x]
9	4.1220.1467.0	6 7 8	= REF. 8 Pag. 05
10	4.1220.1930Z0	(3-6)(4-7)(4-8)	H= 75mm
11	4.1220.1961.0	1 2 1	B= 378mm
13	4.1220.1963.0	5 5 (7)	B= 378mm
14	4.1225.0109.0	1 1 1	
15	4.1225.0449.0	12 14 16	
16	4.1225.0670Z0	(1) (1) (1)	H= 75mm
17	F 4.1225.0480.0	1 1 1	
18	E 4.1225.0569.0 B 4.1225.0509.0 E 4.1225.0689.0	1 1 (1) (1) (1) (1) (1) (1) (1)	4mm 4mm [x] 8mm [x]

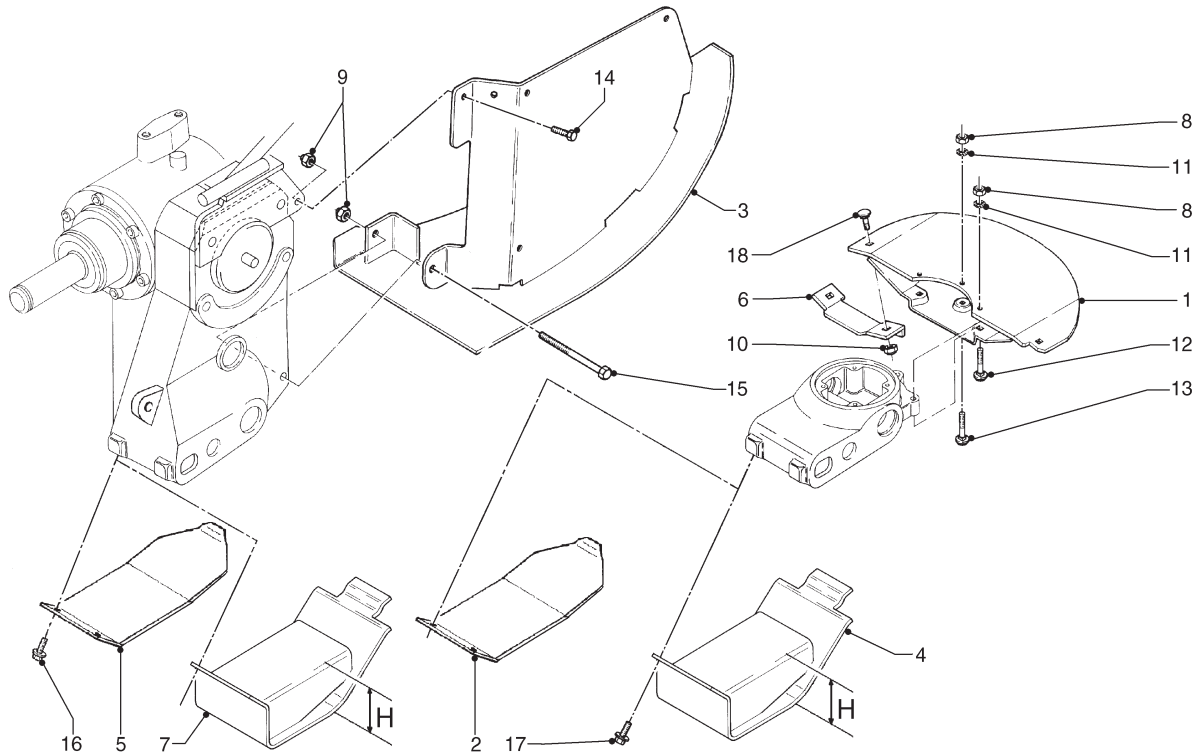
REF.	ONDERDEELNR. PART NUMBER REFERENCE TEILNUMMER	AANTAL QUANTITY QUANTITE ANZAHL
------	--	--

240 280 320

19	4.1225.0620.0	(4) (6) -	
20	A 4.1225.0640.0	(1) 1 (1)	
21	4.1225.1489.0	6 7 8	
22	4.1230.0129.0 4.1229.0148.0 4.1225.0179.0	1 - - - 1 - - 1 2	L= 2349mm L= 1203mm [x] L= 1547mm [x]
23	4.1240.0120.0 4.1242.0120.0 4.1225.0161.0	1 - - - 1 - - - 1	[x] [x]
24	4.1273.0150.0	1 1 1	
25	9.1029.0005*4	6 7 8	M10 DIN 934-8
26	9.1029.0024.2	1 1 1	M30x1,5 DIN 934-10
27	9.1030.0012*3	(16) (24) -	M8 DIN 985-8
28	9.1030.0018*2	12 14 16	M10 DIN 985-10
29	9.1030.0040*3	4 4 4	M8 DIN 985-10
30	9.1031.0014.4	6 7 8	= REF. 12 Pag. 05
31	9.1043.0061.4	6 7 8	= REF. 13 Pag. 05
32	9.1051.0001.6	12 14 16	A8,2 DIN 6798 [####]
33	9.1051.0002.0	20 23 26	A10,5 DIN 6798 [####]
35	9.1052.0011.1	2 2 2	30x42x2,5 DIN 988 []
36	9.1058.0015*6	6 7 8	M10x35 DIN 603-8.8
37	9.1072.0030.0	6 7 8	3,2x36 DIN 94
38	9.1108.0063.5	1 1 1	Ø9,3
39	9.1113.0014*6	(16) (24) -	M8x20 DIN 933-8.8
40	9.1113.0027*5	2 2 2	M10x20 DIN 933-8.8
41	9.1113.0341*3	16 18 20	M8x20 DIN 933-10.9
42	9.1114.0009*0	12 14 16	M10x30 8.8
43	9.1120.0028.6	1 1 1	18x1,00 DIN 472

LELY

SPLENDIMO L	type number type number numéro de type Typnummer	vanaf serienummer as from serial number après numéro de serie ab Seriennummer	SPLENDIMO L	type number type number numéro de type Typnummer	vanaf serienummer as from serial number après numéro de serie ab Seriennummer
165	4.1257.0000.1 4.1257.0001.1	10711 - 0507 3000292	280	4.1229.0010.1 4.1229.0011.1 4.1229.0012.1 4.1229.0013.1 4.1229.0014.1	3001230 10803 - 0702 3000000 3000000 3000000
205	4.1233.0010.1 4.1233.0011.1 4.1233.0012.1 4.1233.0013.1 4.1233.0014.1 4.1233.0015.1	10804 - 0535 10804 - 0553 10804 - 0535 3000000 10806 - 0511 3000000	320	4.1225.0020.1 4.1225.0021.1 4.1225.0022.1	3000751 10805 - 0688 3000000
205 HD	4.1233.0030.1	3003491			
240	4.1230.0009.1 4.1230.0011.1 4.1230.0012.1 4.1230.0013.1 4.1230.0014.1 4.1230.0015.1	3000000 10804 - 0546 10806 - 0834 3000000 3000915 3000000			



E083-04-04

REF.	ONDERDEELNR. PART NUMBER REFERENCE TEILNUMMER	AANTAL QUANTITY QUANTITE ANZAHL		
------	--	--	--	--

165 205 205 HD

1	4.1220.0341.0	(4) (5) -		
2	4.1225.0499.0	(4) (5) -	4mm	
	4.1225.0359.0	(4) (5) -	8mm	[x]
3	4.1225.0251.0	1 1 1		
4	4.1225.0400.0	(2-4)(3-5) -	H=75mm	
5	4.1225.0509.0	(1) (1) -	4mm	
	4.1225.0369.0	(1) (1) -	8mm	[x]
6	4.1225.0550.0	(1x2)(1x3) -	[←125→]	
	4.1229.0250.0	(1) (1) -	[←160→]	[x]
7	4.1225.0670Z0	(1) (1) (1)	H=75mm	
8	9.1029.0005*4	(12) (16) -	M10 DIN 934-8	
9	9.1030.0004*2	2 2 2	M10 DIN 985-8	
10	9.1030.0004*2	(2x2)(2x3) -	M10 DIN 985-8	
	9.1030.0004*2	(2x1)(2x1) -	M10 DIN 985-8 [←160→]	
11	9.1051.0002*0	(12) (16) -	A10,5 DIN 6798 [####]	
12	9.1058.0048*4	(4) (5) -	M10x40 DIN 603-8.8	
13	9.1058.0049*5	(8) (10) -	M10x45 DIN 603-8.8	
14	9.1113.0120*0	1 1 1	M10x30 DIN 933-8.8	
15	9.1113.0043*0	1 1 1	M10x110 DIN 931-8.8	
16	9.1114.0009*0	(2) (2) (2)	M10x30-8.8	
17	9.1114.0009*0	(4-8) -	M10x30-8.8	
	9.1114.0009*0	- (6-10) -	M10x30-8.8	
18	9.1058.0027*4	(2x2)(2x3) -	M10x25 DIN 603	
	9.1058.0027*4	(2x1)(2x1) -	M10x25 DIN 603 [←160→]	

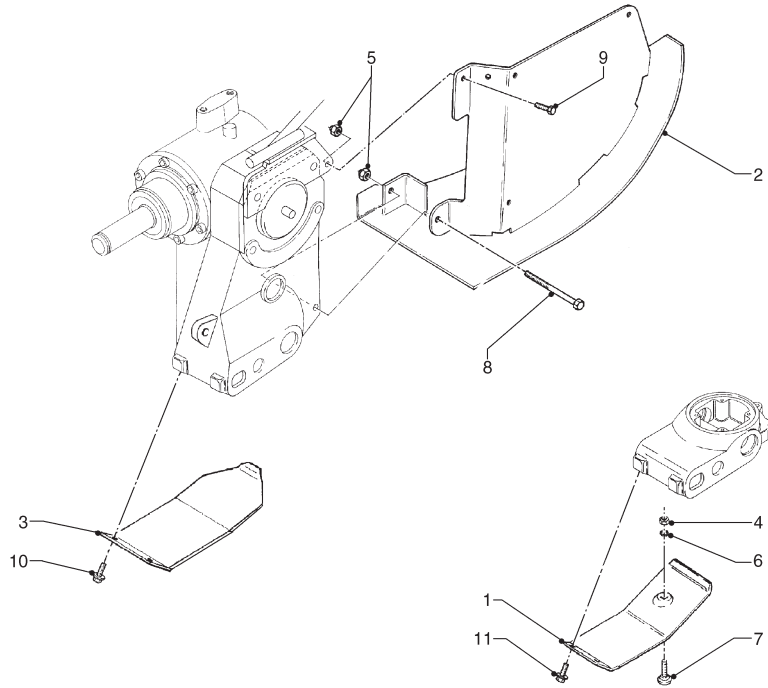
REF.	ONDERDEELNR. PART NUMBER REFERENCE TEILNUMMER	AANTAL QUANTITY QUANTITE ANZAHL		
------	--	--	--	--

240 280 320

1	4.1220.0341.0	6 (7) (8)		
2	4.1225.0499.0	(6) (7) (8)	4mm	
	4.1225.0359.0	(6) (7) (8)	8mm	[x]
3	4.1225.0251.0	1 1 1		
4	4.1225.0400.0	(3-6)(4-7)(4-8)	H=75mm	
5	4.1225.0509.0	(1) (1) (1)	4mm	
	4.1225.0369.0	(1) (1) (1)	8mm	[x]
6	4.1225.0550.0	(1x5)(1x5)(1x7)	[←125→]	
	4.1229.0250.0	- (1) -	[←160→]	[x]
7	4.1225.0670Z0	(1) (1) (1)	H=75mm	
8	9.1029.0005*4	20 (24) (28)	M10 DIN 934-8	
9	9.1030.0004*2	2 2 2	M10 DIN 985-8	
10	9.1030.0004*2	(2x5)(2x5)(2x7)	M10 DIN 985-8	
	9.1030.0004*2	- (2x1) -	M10 DIN 985-8 [←160→]	
11	9.1051.0002*0	20 (24) (28)	A10,5 DIN 6798 [####]	
12	9.1058.0048*4	6 (7) (8)	M10x40 DIN 603-8.8	
13	9.1058.0049*5	12 (14) (16)	M10x45 DIN 603-8.8	
14	9.1113.0120*0	1 1 1	M10x30 DIN 933-8.8	
15	9.1113.0043*0	1 1 1	M10x110 DIN 931-8.8	
16	9.1114.0009*0	(2) 2 2	M10x30-8.8	
17	9.1114.0009*0	(6-12) -	M10x30-8.8	
	9.1114.0009*0	- (8-14) -	M10x30-8.8	
18	9.1058.0027*4	(2x5)(2x5)(2x7)	M10x25 DIN 603	
	9.1058.0027*4	- (2x1) -	M10x25 DIN 603 [←160→]	

LELY

SPLENDIMO L	type number type number numéro de type Typnummer	vanaf serienummer as from serial number après numéro de serie ab Seriennummer	SPLENDIMO L	type number type number numéro de type Typnummer	vanaf serienummer as from serial number après numéro de serie ab Seriennummer
165	4.1257.0000.1 4.1257.0001.1	10711 - 0507 3000292	280	4.1229.0010.1 4.1229.0011.1 4.1229.0012.1 4.1229.0013.1 4.1229.0014.1	3001230 10803 -0702 3000000 3000000 3000000
205	4.1233.0010.1 4.1233.0011.1 4.1233.0012.1 4.1233.0013.1 4.1233.0014.1 4.1233.0015.1	10804 - 0535 10804 - 0553 10804 - 0535 3000000 10806 - 0511 3000000	320	4.1225.0020.1 4.1225.0021.1 4.1225.0022.1	3000751 10805 - 0688 3000000
205 HD	4.1233.0030.1	3003491			
240	4.1230.0009.1 4.1230.0011.1 4.1230.0012.1 4.1230.0013.1 4.1230.0014.1 4.1230.0015.1	3000000 10804 - 0546 10806 - 0834 3000000 3000915 3000000			



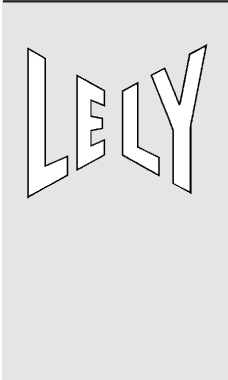
E083-04-03

REF.	ONDERDEELNR. PART NUMBER REFERENCE TEILNUMMER	AANTAL QUANTITY QUANTITE ANZAHL
------	--	--

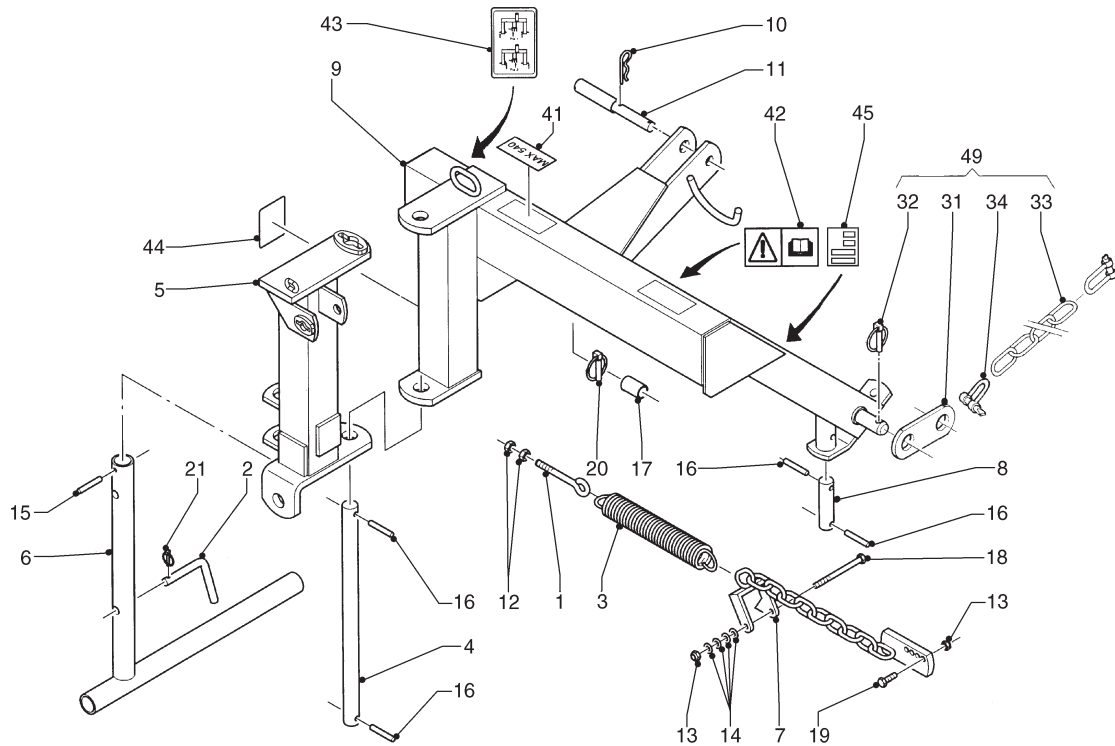
		205		
		165	205 HD	
1	4.1220.1962.0	(4)	(5)	- 4mm
2	4.1225.0251.0	1	1	1
3	4.1225.0509.0	(1)	(1)	- 4mm
4	9.1029.0005*4	(4)	(5)	-
5	9.1030.0004*2	2	2	2
6	9.1051.0002.0	(4)	(5)	-
7	9.1058.0015*6	(4)	(5)	- M10x35 DIN 603-8.8
8	9.1113.0043*0	1	1	1
9	9.1113.0120*0	1	1	1
10	9.1114.0009*0	(2)	(2)	-
11	9.1114.0009*0	(8)	(10)	-

REF.	ONDERDEELNR. PART NUMBER REFERENCE TEILNUMMER	AANTAL QUANTITY QUANTITE ANZAHL
------	--	--

		240	320	
		280		
1	4.1220.1962.0	(6)	(7)	(8) 4mm
2	4.1225.0251.0	1	1	1
3	4.1225.0509.0	(1)	(1)	(1) 4mm
4	9.1029.0005*4	(6)	(7)	(8)
5	9.1030.0004*2	2	2	2
6	9.1051.0002.0	(6)	(7)	(8)
7	9.1058.0015*6	(6)	(7)	(8) M10x35 DIN 603-8.8
8	9.1113.0043*0	1	1	1
9	9.1113.0120*0	1	1	1
10	9.1114.0009*0	(2)	(2)	(2)
11	9.1114.0009*0	(12)	(14)	(16)



SPLENDIMO L		type nummer type number numéro de type Typnummer	vanaf serienummer as from serial number après numéro de serie ab Seriennummer	SPLENDIMO L		type nummer type number numéro de type Typnummer	vanaf serienummer as from serial number après numéro de serie ab Seriennummer
165		4.1257.0000.1 4.1257.0001.1	10711 - 0507 3000000	205 PROFI		4.1233.0030.1	3003491
205		A 4.1233.0010.1 C 4.1233.0011.1 A 4.1233.0012.1 A 4.1233.0013.1 B 4.1233.0014.1 A 4.1233.0015.1	10804 - 0535 10804 - 0553 10804 - 0553 3000000 10806 - 0511 3000000				



E103-02-02

REF.	ONDERDEELNR. PART NUMBER REFERENCE TEILNUMMER	AANTAL QUANTITY QUANTITE ANZAHL
------	--	--

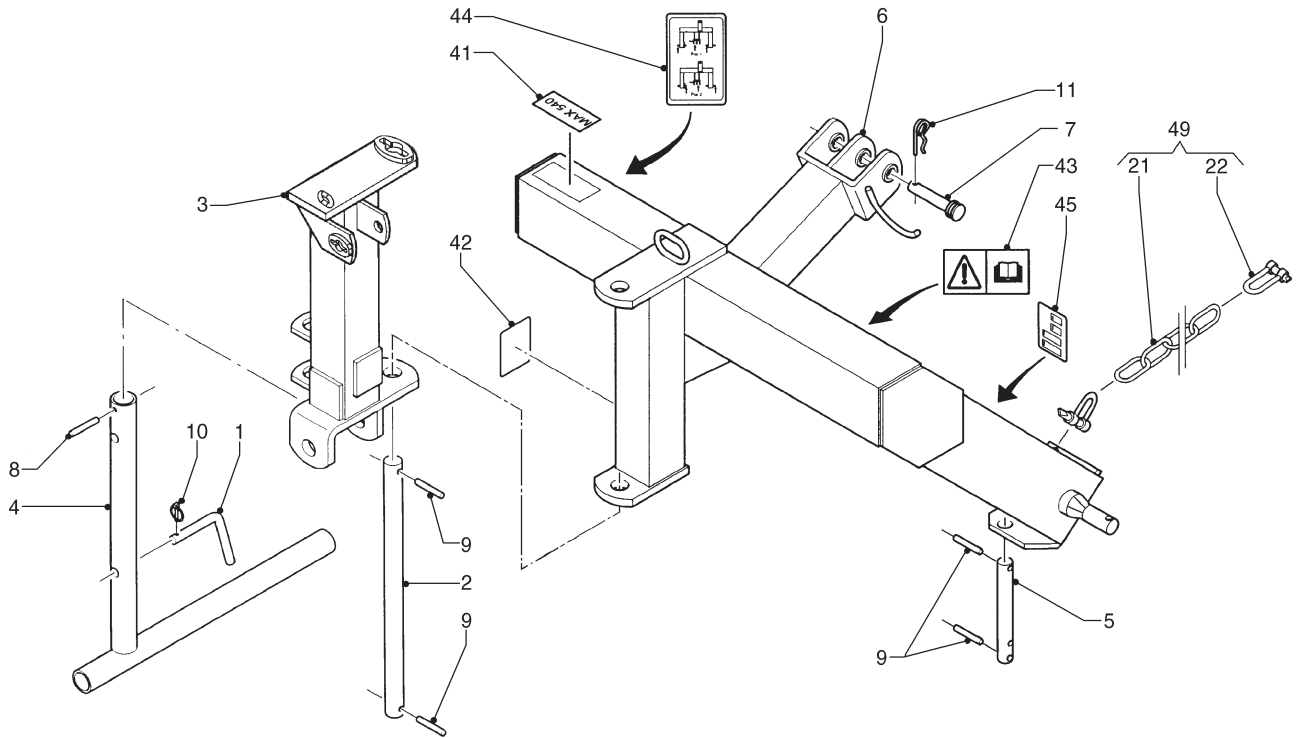
	165	205	205 PROFI	
1	1.1633.1495.0	1	1	1
2	4.1003.0142.0	1	1	-
3	4.1201.1481.0	1	1	1
4	4.1207.0611.0	1	1	1
5	4.1210.0591.0	1	1	1
6	4.1215.0600.0	1	1	-
7	4.1233.0170.0	1	1	1
8	B 4.1227.1479.0	1	1	-
	4.1220.1466.0	1	1	1
9	A 4.1233.0180.0	1	1	-
	B 4.1242.0370.0	(1)	1	1
	C 4.1220.1710.0	-	1	-
10	9.1124.0008*3	1	1	- Ø4
	B 9.1124.0004.6	1	1	1 Ø5
11	9.1088.0010*6	1	1	- Cat. I+II
	B 9.1088.0005.1	1	1	1 25-95
12	9.1029.0008*0	2	2	2 M12 DIN 934-8
13	9.1030.0004*2	3	3	3 M10 DIN 985-8
14	9.1048.0007*1	4	4	4 A10,5 DIN 125
15	9.1070.0023.2	1	1	1 Ø8x50 DIN 1481
16	9.1070.0028.0	4	4	4 Ø10x60 DIN 1481
17	9.1097.0001.2	1	1	1 Cat. II
18	9.1113.0044*1	1	1	1 M10x120 DIN 931-8.8
19	9.1113.0115*2	2	2	- M10x40 DIN 933-10.9
	9.1113.0272.5	-	-	2 M10x65 DIN 931-10.9
				= REF. 14 Pag. 14
20	9.1123.0002*5	2	2	- Ø11
21	9.1123.0003*6	1	1	- Ø6

REF.	ONDERDEELNR. PART NUMBER REFERENCE TEILNUMMER	AANTAL QUANTITY QUANTITE ANZAHL
------	--	--

	165	205	205 PROFI	
31	4.1201.2078.0	(1)	(1)	(1)
32	9.1123.0002*5	(1)	(1)	(1) Ø11
33	9.1144.0018*0	(2)	(2)	(1) 13x (10x65)
34	9.1146.0005*6	(2)	(2)	(2) 5/8"
41	B 9.1170.0125.4	1	1	1 "MAX. 540/min."
42	B 9.1170.0408.0	1	1	1
43	B 9.1170.0431.2	1	1	1 Pos. 1 - Pos. 2
44	9.1170.0281.6	1	1	1 "Maaihoogte 22" 55 cm"
				"Mowing height 22" 55 cm"
				"Hautr. de fauchage 22" 55 cm"
				"Mähhöhe 22" 55 cm"
45	9.1170.0573.4	1	1	1 "Maaimes 100 / 120 mm"
				"Knife 100 / 120 mm"
				"Couteau 100 / 120 mm"
				"Messer 100 / 120 mm"
45	C 9.1170.0430.1	-	1	- "Maaimes 83 / 120 mm"[x]
				"Knife 83 / 120 mm"[x]
				"Couteau 83 / 120 mm"[x]
				"Messer 83 / 120 mm"[x]
49	4.1201.2071.0	(1)	(1)	(1) = REF. 31-34

LELY

SPLENDIMO L	type number type number numéro de type Typnummer	vanaf serienummer as from serial number après numéro de serie ab Seriennummer	SPLENDIMO L	type number type number numéro de type Typnummer	vanaf serienummer as from serial number après numéro de serie ab Seriennummer
240	4.1230.0009.1	3000000	320	4.1225.0020.1	3000751
	4.1257.0001.1	3000292		4.1225.0021.1	10805 - 0688
	4.1230.0011.1	10804 - 0546		4.1225.0022.1	3000000
	4.1230.0012.1	10806 - 0834			
	4.1230.0013.1	3000000			
	4.1230.0014.1	3000915			
280	4.1230.0015.1	3000000			
	4.1229.0010.1	3001230			
	4.1229.0011.1	10803 - 0702			
	4.1229.0012.1	3000000			
	4.1229.0013.1	3000000			
	4.1229.0014.1	3000000			



E065-05-01

REF.	ONDERDEELNR. PART NUMBER REFERENCE TEILNUMMER	AANTAL QUANTITY QUANTITE ANZAHL
------	--	--

1	4.1003.0142.0	1	
2	4.1207.0611.0	1	
3	4.1210.0591.0	1	
4	4.1215.0600.0	1	
5	4.1220.1466.0	1	
6	4.1242.0370.0	1	
7	9.1088.0005.1	1	25-95
8	9.1070.0023.2	1	Ø8x50 DIN 1481
9	9.1070.0028.0	4	Ø10x60 DIN 1481
10	9.1123.0003*6	1	Ø6
11	9.1124.0004*6	1	Ø5
21	9.1144.0018*0	(1)	13x (10x65)
22	9.1146.0005*6	(2)	5/8"

REF.	ONDERDEELNR. PART NUMBER REFERENCE TEILNUMMER	AANTAL QUANTITY QUANTITE ANZAHL
------	--	--

41	9.1170.0125.4	1	"MAX. 540/min."
42	9.1170.0281.6	1	"Maaihoogte 22" 55 cm" "Mowing height 22" 55 cm" "Hautr. de fauchage" 55 cm" "Mähhöhe 22" 55 cm"
43	9.1170.0408.0	1	
44	9.1170.0431.2	1	"Pos.1 - Pos. 2"
45	9.1170.0573.4	1	"Maaiemes 100 / 120 mm" "Knife 100 / 120 mm" "Couteau 100 / 120 mm" "Messer 100 / 120 mm"
49	4.1203.2080.0	(1)	= REF. 21+22

LELY

SPLENDIMO L

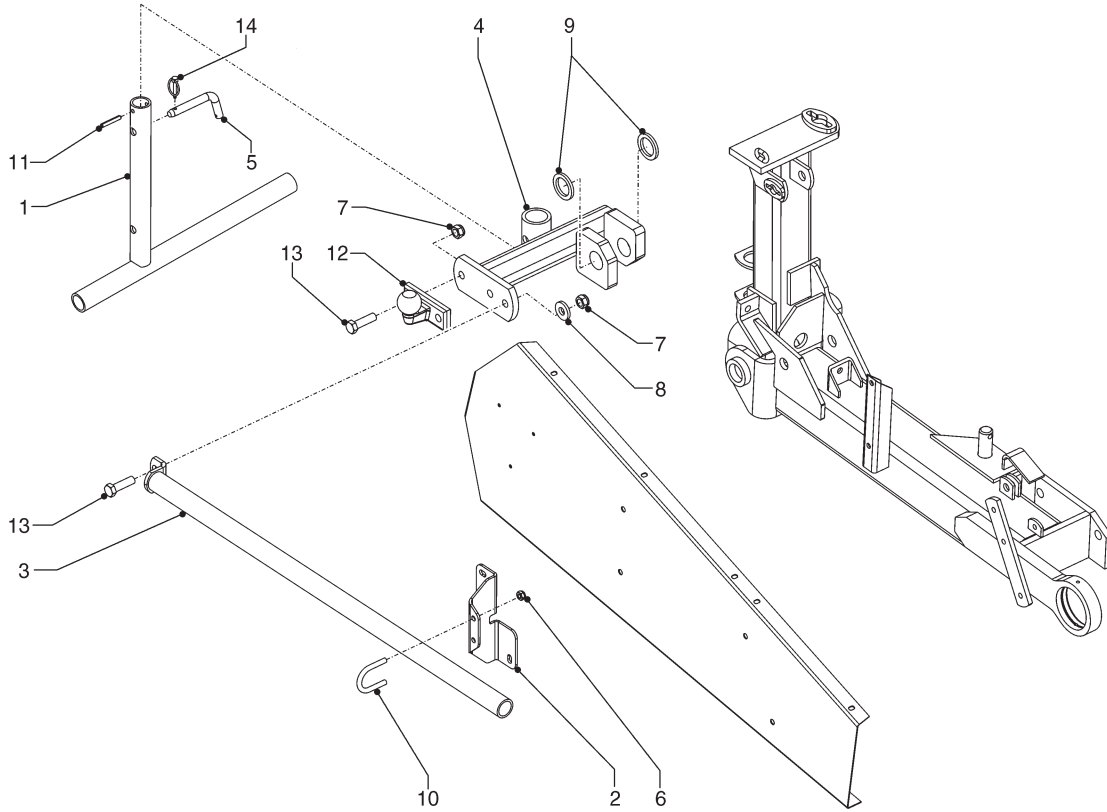
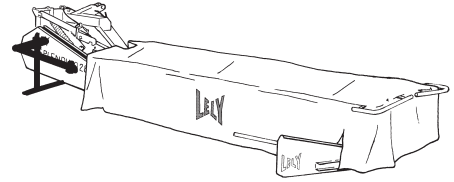
 type number
 type number
 numéro de type
 Typnummer

 vanaf serienummer
 as from serial number
 après numéro de serie
 ab Seriennummer

205 PROFI

4.1233.0030.1

3003491



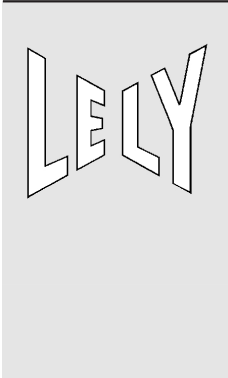
E137-01-00

REF.	ONDERDEELNR. PART NUMBER REFERENCE TEILNUMMER	AANTAL QUANTITY QUANTITE ANZAHL
------	--	--

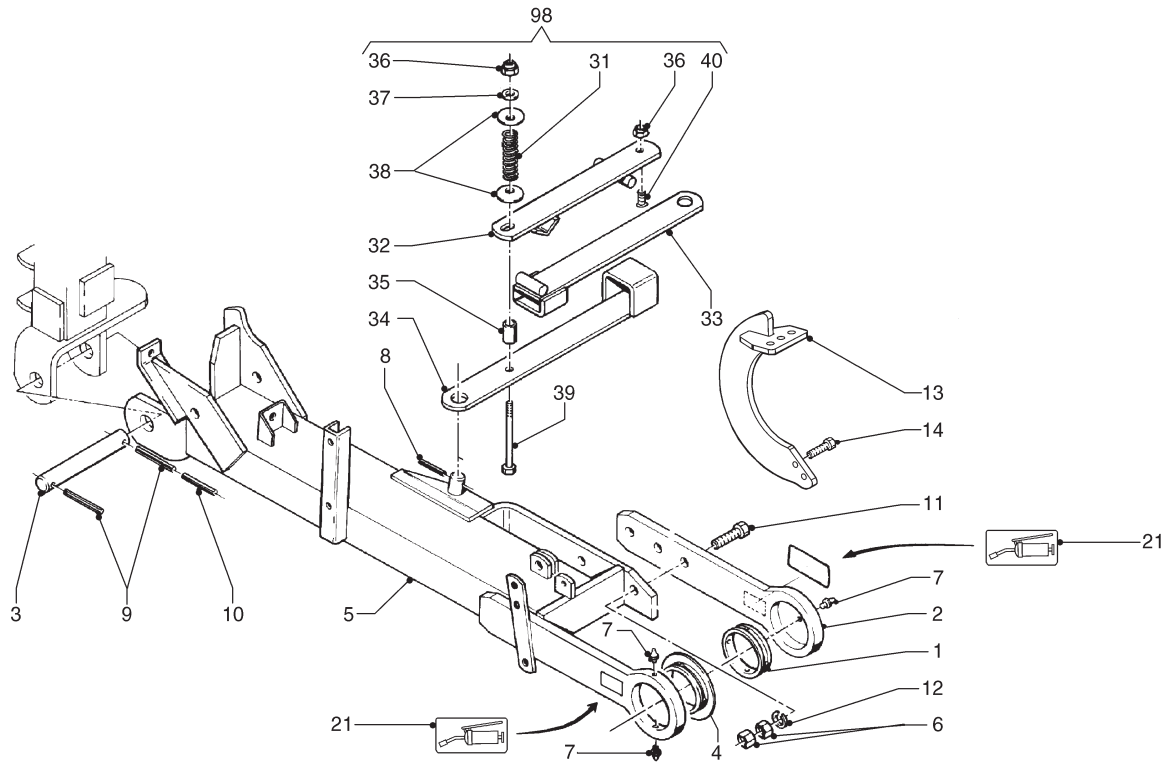
1	4.1220.0940.0	1
2	4.1233.0579.0	1
3	4.1233.0580.0	1
4	4.1233.0590.0	1
5	4.1241.1921.0	1

6	9.1030.0004*2	2	M10 DIN 985-8
7	9.1030.0045*1	3	M16 DIN 985-8
8	9.1048.0043.2	1	17 DIN 7349
9	9.1048.0063.1	2	41 DIN 1441
10	9.1066.0036.5	1	1 1/4" M10
11	9.1070.0023.2	1	Ø8x50 DIN 1481
12	9.1086.0007.5	1	
13	9.1113.0490*3	3	M16x55 DIN 931-10.9
14	9.1123.0003.6	1	6x6

REF.	ONDERDEELNR. PART NUMBER REFERENCE TEILNUMMER	AANTAL QUANTITY QUANTITE ANZAHL
------	--	--



SPLENDIMO L	type number type number numéro de type Typnummer	vanaf serienummer as from serial number après numéro de serie ab Seriennummer	SPLENDIMO L	type number type number numéro de type Typnummer	vanaf serienummer as from serial number après numéro de serie ab Seriennummer
165	4.1257.0000.1 4.1257.0001.1	10711 - 0507 3000000	205 PROFI	4.1233.0030.1	3003491
205	4.1233.0010.1 4.1233.0011.1 4.1233.0012.1 4.1233.0013.1 4.1233.0014.1 4.1233.0015.1	10804 - 0535 10804 - 0553 10804 - 0553 3000000 10806 - 0511 3000000			



E066-05-02

REF.	ONDERDEELNR. PART NUMBER REFERENCE TEILNUMMER	AANTAL QUANTITY QUANTITE ANZAHL
------	--	--

165 205 205 PROFI

1	4.1201.1482.0	1 1 1	
2	4.1207.0580.0	1 1 1	
3	4.1207.0610.0 4.1233.0679.0	1 1 - - - 1	[x]
4	4.1207.0620.0	1 1 1	
5	4.1225.0241.0 4.1242.0380.0	1 1 - - - 1	[x]
6	9.1029.0016*1	6 6 6	M20 DIN 934-8
7	9.1068.0007*2	3 3 3	AM8x1,25
8	9.1070.0028.0	1 1 1	Ø10x60 DIN 1481
9	9.1070.0038.3 9.1070.0031.3	2 2 - - - 2	Ø10x75 DIN 1481 Ø12x60 DIN 1481
10	9.1070.0062.6	1 1 1	Ø6x75 DIN 1481
11	9.1113.0094*2	3 3 3	M20x90 DIN 931-8.8
12	9.1121.0014.5	3 3 3	A20 DIN 127 [—/—]
13	4.1233.0600.0	- - 1	
14	9.1113.0272*5	- - 2	M10x65 DIN 931-10.9 = REF. 19 Pag. 11
21	9.1170.0205.0	2 2 2	"Smeerpunt" "Greasing point" "Point de graissage" "Schmierstelle"

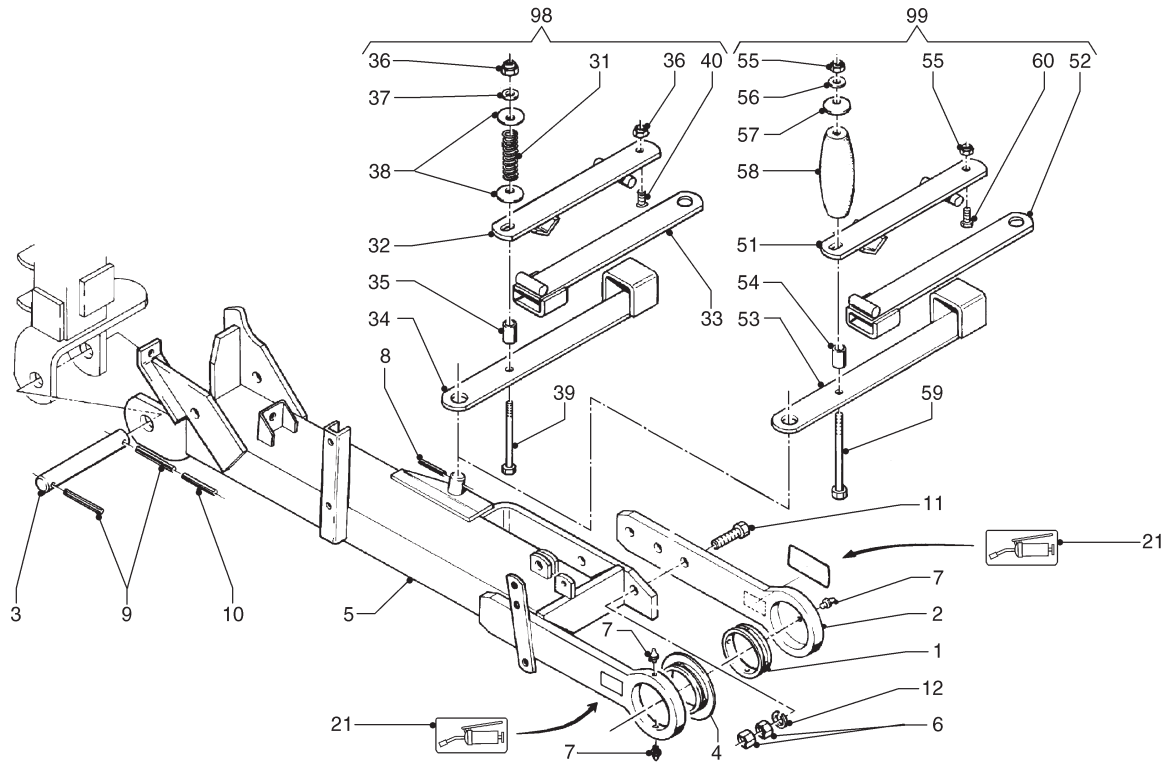
REF.	ONDERDEELNR. PART NUMBER REFERENCE TEILNUMMER	AANTAL QUANTITY QUANTITE ANZAHL
------	--	--

165 205 205 PROFI

31	4.1203.0219.0	1 1 1	
32	4.1219.0111.0	1 1 1	
33	4.1219.0122.0 4.1220.1380.0	1 1 1 - - 1	[x]
34	4.1219.0131.0 4.1253.0350.0	1 1 - - - 1	[x]
35	4.1220.0809.0	1 1 1	
36	9.1030.0015*6	2 2 2	M14 DIN 985-8
37	9.1048.0053*5	1 1 1	A15 DIN 125 [—]
38	9.1091.0008*1	2 2 2	40x14,3x1,5 DIN 2093
39	9.1113.0161*6	1 1 1	M14x260 DIN 931-8.8
40	9.1113.0178*2 9.1113.0119*6	1 1 - - - 1	M14x35 DIN 933-10.9 M14x30 DIN 933-10.9 [x]
98	4.1229.0191.0 4.1253.0340.0	1 1 - - - 1	= REF. 31-40 = REF. 31-40

LELY

SPLENDIMO L	type number type number numéro de type Typnummer	vanaf serienummer as from serial number après numéro de série ab Seriennummer	SPLENDIMO L	type number type number numéro de type Typnummer	vanaf serienummer as from serial number après numéro de série ab Seriennummer
240	4.1230.0009.1	3000000	320	4.1225.0020.1	3000751
	4.1257.0001.1	3000292		4.1225.0021.1	10805 - 0688
	4.1230.0011.1	10804 - 0546		4.1225.0022.1	3000000
	4.1230.0012.1	10806 - 0834			
	4.1230.0013.1	3000000			
	4.1230.0014.1	3000915			
	4.1230.0015.1	3000000			
280	4.1229.0010.1	3001230			
	4.1229.0011.1	10803 - 0702			
	4.1229.0012.1	3000000			
	4.1229.0013.1	3000000			
	4.1229.0014.1	3000000			



E066-05-01

REF.	ONDERDEELNR. PART NUMBER REFERENCE TEILNUMMER	AANTAL QUANTITY QUANTITE ANZAHL
------	--	--

1	4.1201.1482.0	1
2	4.1207.0580.0	1
3	4.1207.0610.0	1
4	4.1207.0620.0	1
5	4.1225.0241.0	1

6	9.1029.0016*1	6	M20 DIN 934-8
7	9.1068.0007*2	3	AM8x1,25
8	9.1070.0028.0	1	Ø10x60 DIN 1481
9	9.1070.0038.3	2	Ø10x75 DIN 1481
10	9.1070.0062.6	1	Ø6x75 DIN 1481
11	9.1113.0094*2	3	M20x90 DIN 931-8.8
12	9.1121.0014.5	3	A20 DIN 127 [—/—]

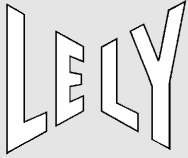
21	9.1170.0205.0	2	"Smeerpunt" "Greasing point" "Point de graissage" "Schmierstelle"
----	---------------	---	--

REF.	ONDERDEELNR. PART NUMBER REFERENCE TEILNUMMER	AANTAL QUANTITY QUANTITE ANZAHL
------	--	--

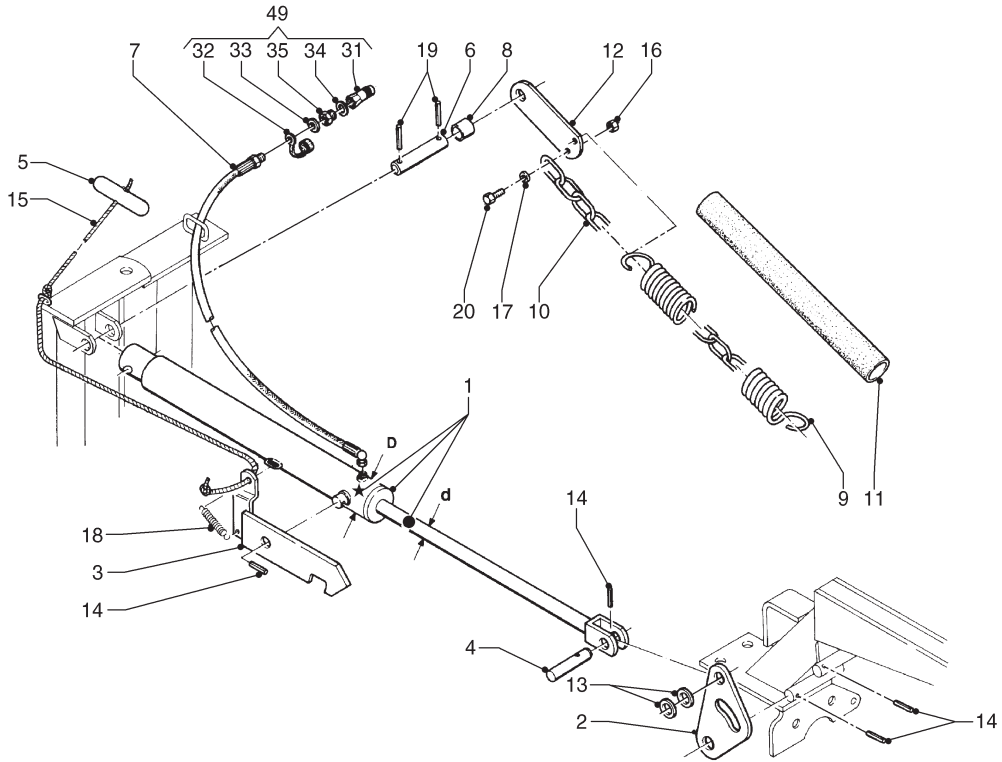
31	4.1203.0219.0	1	
32	4.1219.0111.0	1	
33	4.1219.0122.0	1	
34	4.1219.0131.0	1	
35	4.1220.0809.0	1	
36	9.1030.0015*6	2	M14 DIN 985-8
37	9.1048.0053*5	1	A15 DIN 125 [—/—]
38	9.1091.0008*1	2	40x14,3x1,5 DIN 2093
39	9.1113.0161*6	1	M14x260 DIN 931-8.8
40	9.1113.0178*2	1	M14x35 DIN 933-10.9

51	4.1219.0111.0	1	
52	4.1219.0122.0	1	
53	4.1219.0131.0	1	
54	4.1220.0809.0	1	
55	9.1030.0015*6	2	M14 DIN 985-8
56	9.1048.0053*5	1	A15 DIN 125 [—/—]
57	9.1091.0012*5	1	50x18,3x3 DIN 2093
58	9.1105.0009.2	1	
59	9.1113.0160*5	1	M14x200 DIN 931-8.8
60	9.1113.0178*2	1	M14x35 DIN 933-10.9

98	4.1229.0191.0	1	= REF. 31-40	240-280
99	4.1219.0091.0	1	= REF. 51-60	320



SPLENDIMO L	type nummer type number numéro de type Typnummer	vanaf serienummer as from serial number après numéro de serie ab Seriennummer	SPLENDIMO L	type nummer type number numéro de type Typnummer	vanaf serienummer as from serial number après numéro de serie ab Seriennummer
165	4.1257.0000.1	10711 - 0507 3000292	240	4.1230.0009.1	3000000 10804 - 0546 10806 - 0834
	4.1257.0001.1			4.1230.0011.1	
205	4.1233.0010.1	10804 - 0535 10804 - 0553 10804 - 0535 3000000 10806 - 0511 3000000	280	4.1230.0012.1	3000000 3000915 3000000
	4.1233.0011.1			4.1230.0013.1	
	4.1233.0012.1			4.1230.0014.1	
	4.1233.0013.1			4.1230.0015.1	
	4.1233.0014.1				
205 PROFI	4.1233.0015.1	3003491	320	4.1229.0010.1	3001230 10803 - 0702 3000000
	4.1233.0030.1			4.1229.0011.1	
				4.1229.0012.1	3000000
				4.1229.0013.1	3000000
				4.1229.0014.1	3000000
				4.1225.0020.1	3000751
				4.1225.0021.1	10805 - 0688
				4.1225.0022.1	3000000



E080-02-10

REF.	ONDERDEELNR. PART NUMBER REFERENCE TEILNUMMER	AANTAL QUANTITY QUANTITE ANZAHL
------	--	--

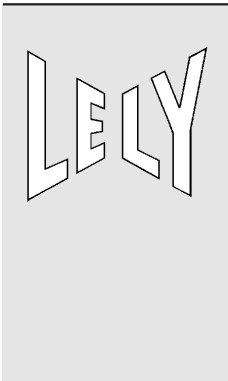
165 205 240 280 320

1	4.1210.0041.0	- - 1 1 1	(= 1 + ★ + ●)	
★	4.1207.0399.0	- - (1) (1) (1)	(d= Ø35) [A+A]	[x]
●	4.9000.0110.0	- - (1) (1) (1)	D= Ø60/70	[x]
1	4.1201.0192.0	1 1 - - -	(= 1 + ★ + ●)	[x]
★	4.1201.0193.0	(1) (1) - - -	(d= Ø25) [A+A]	[x]
●	4.9000.0109.0	(1) (1) - - -	D= Ø50/60	[x]
2	4.1229.1499.0	- - 1 - -		[x]
	4.1201.0136.0	1 1 - - -		[x]
	4.1223.0199.0	- - - 1 -		[x]
	4.1225.1488.0	- - - - 1		[x]
3	4.1225.0300.0	- - 1 1 1		
	4.1210.0520.0	1 1 - - -		[x]
4	4.1225.1498.0	- - 1 1 1		
	4.1210.1495.0	1 1 - - -		[x]
5	2.3201.0328.0	1 1 1 1 1		
6	4.1003.0048.0	1 1 1 1 1		
7	4.1016.0530.0	1 1 1 1 1	L= 2060 mm	
8	4.1210.1489.0	1 1 1 1 1		
9	4.1225.1490.0	1 1 1 1 1		
10	4.1225.1491.0	1 1 1 1 1	L= 805 (6x42)	
11	4.1225.1492.0	1 1 1 1 1		
12	4.1225.1493.0	1 1 1 1 1		

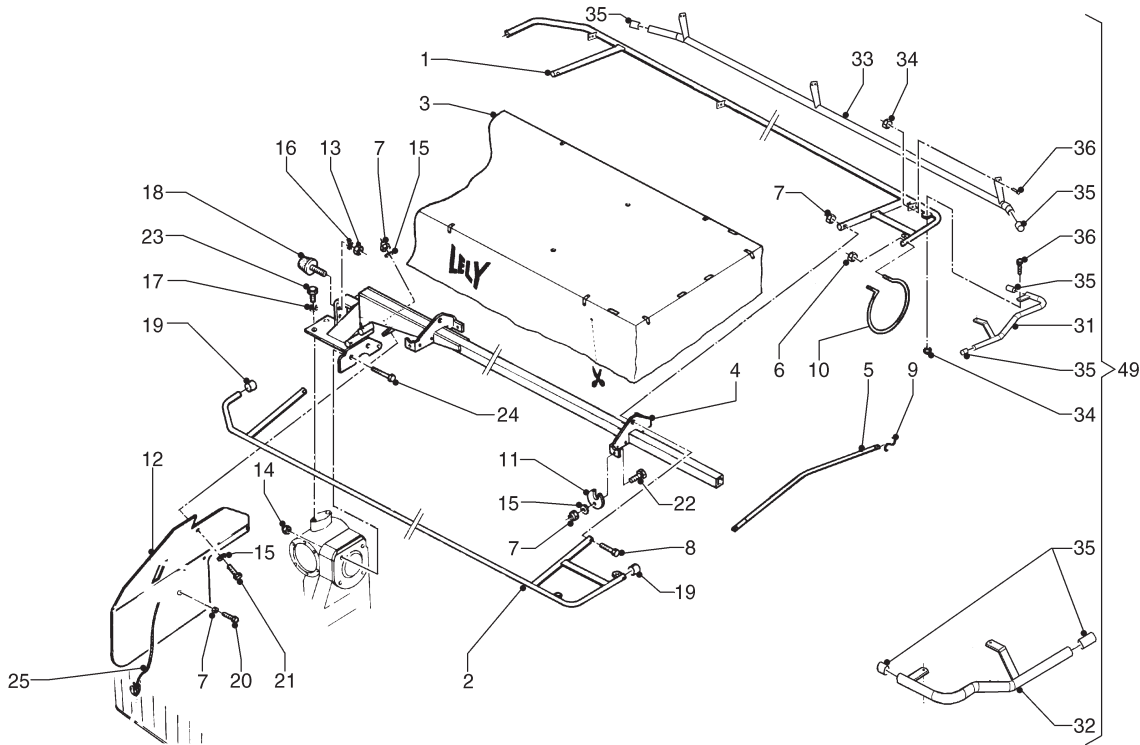
REF.	ONDERDEELNR. PART NUMBER REFERENCE TEILNUMMER	AANTAL QUANTITY QUANTITE ANZAHL
------	--	--

165 205 240 280 320

13	9.1048.0045*4	- - 2 2 2	A26 DIN 126 []	
	9.1048.0019*6	4 4 - - -	A21 DIN 125 []	[x]
14	9.1070.0023.2	- - 4 4 4	Ø8x50 DIN 1481	
	9.1070.0019.5	1 1 - - -	Ø6x50 DIN 1481	[x]
	9.1070.0023.2	3 3 - - -	Ø8x50 DIN 1481	[x]
15	#	1 1 1 1 1	Ø6	L= 4000 (1m= 9.1163.0004.2)
16	9.1030.0004*2	1 1 1 1 1	M10 DIN 985-8	
17	9.1048.0008*2	1 1 1 1 1	A10,5 DIN 9021 []	
18	9.1089.0014.2	1 1 1 1 1		
19	9.1070.0018.4	2 2 2 2 2	Ø6x40 DIN 1481	
20	9.1113.0117*4	1 1 1 1 1	M10x35 DIN 933-8.8	
31	9.1137.0302.4	1 1 1 1 1	1/2" G	
32	9.1137.0303.5	1 1 1 1 1	1/2" PVC	
33	9.1137.0409.6	1 1 1 1 1	Ø13,7x20,6x2,03 []	
34	9.1137.0411.1	1 1 1 1 1	Ø21,5x28,6x2,34 []	
35	9.1137.0603.4	1 1 1 1 1	1/2"-1/4"	
49	2.3201.2312.0	1 1 1 1 1	= REF. 31-35	



SPLENDIMO L	type nummer type number numéro de type Typnummer	vanaf serienummer as from serial number après numéro de serie ab Seriennummer	SPLENDIMO L	type nummer type number numéro de type Typnummer	vanaf serienummer as from serial number après numéro de serie ab Seriennummer
165	4.1257.0000.1 4.1257.0001.1	10711 - 0507 3000000	205 PROFI	4.1233.0030.1	3003491
205	4.1233.0010.1 4.1233.0011.1 4.1233.0012.1 4.1233.0013.1 4.1233.0014.1 4.1233.0015.1	10804 - 0535 10804 - 0553 10804 - 0553 3000000 10806 - 0511 3000000			



E081-04-02

REF.	ONDERDEELNR. PART NUMBER REFERENCE TEILNUMMER	AANTAL QUANTITY QUANTITE ANZAHL
------	--	--

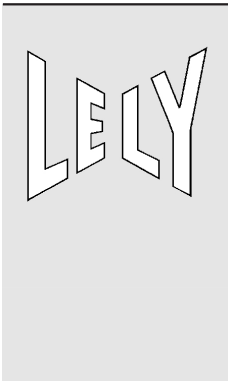
165 205 205 PROFI

1	4.1202.0544.0 4.1201.0622.0	- 1 1 1 - -	[x]
2	4.1202.0612.0 4.1201.0612.0	- 1 1 1 - -	[x]
3	4.1233.1498.0 4.1233.1499.0 4.1257.1498.0 4.1257.1499.0	- 1 - - 1 1 (1) - - (1) - -	PVC Aramide 205 HD Aramide 165 PVC [x] [x] [x]
4	4.1233.0161.0 4.1257.0160.0	- 1 1 1 -	[x]
5	4.1210.1498.0	2 2 2	
6	9.1030.0040*3	2 2 2	M8 DIN 985-10
7	9.1030.0004*2	8 8 8	M10 DIN 985-8
8	9.1113.0100*1	2 2 2	M10x90 DIN 931-8.8
9	9.1147.0005*5	4 4 4	No. 50
10	4.1210.1496.0	1 1 1	
11	4.1225.1486.0	2 2 2	
12	4.1249.1498.0	1 1 1	
13	9.1029.0005*4	2 2 2	M10 DIN 934-8
14	9.1030.0015*6	2 2 2	M14 DIN 985-8
15	9.1048.0007*1	4 4 4	A10,5 DIN 125 [—]
16	9.1051.0002*0	2 2 2	A10,5 DIN 6798 [####]
17	9.1051.0005*3	3 3 3	A14,5 DIN 6798 [####]

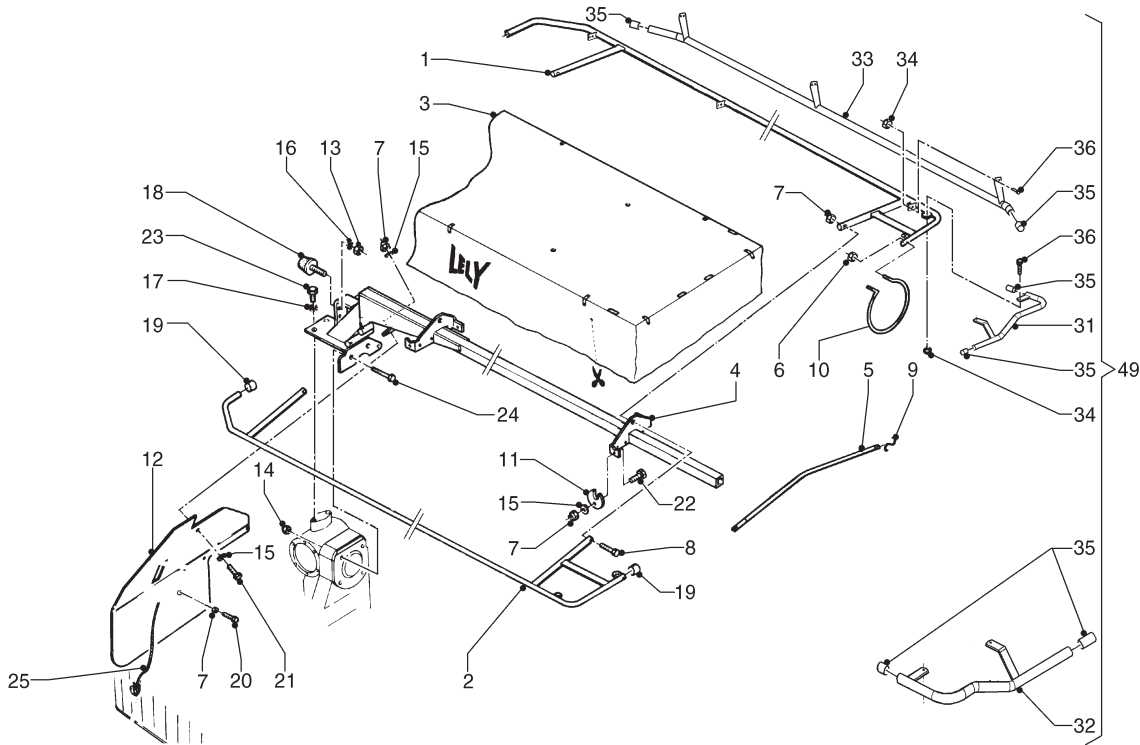
REF.	ONDERDEELNR. PART NUMBER REFERENCE TEILNUMMER	AANTAL QUANTITY QUANTITE ANZAHL
------	--	--

165 205 205 PROFI

18	9.1105.0011.4	2 2 2	M10x28
19	9.1108.0085.6	2 2 2	Ø32
20	9.1113.0027*5	3 3 3	M10x20 DIN 933-8.8
21	9.1113.0029*0	1 1 1	M10x25 DIN 933-8.8
22	9.1113.0117*4	2 2 2	M10x35 DIN 933-8.8
23	9.1113.0119*6	3 3 3	M14x30 DIN 933-10.9
24	9.1113.0280.6	2 2 2	M14x120 DIN 931-10.9
25	#	1 1 1	L= 4000 (1m= 9.1163.0004.2) Ø6
31	4.1201.0650.0	1 1 1	
32	4.1201.0660.0	1 1 1	
33	4.1233.0440.0 4.1201.0480.0	- 1 1 1 - -	[x]
34	9.1030.0012*3	8 10 10	M8 DIN 985-8
35	9.1108.0058.6	6 6 6	Ø32
36	9.1113.0128*1	8 8 8	M8x25 DIN 933-8.8
49	4.1233.0430.0 4.1201.0470.0	- 1 1 1 - -	= REF. 31-36 = REF. 31-36



SPLENDIMO L			type nummer type number numéro de type Typnummer	vanaf serienummer as from serial number après numéro de serie ab Seriennummer	SPLENDIMO L			type nummer type number numéro de type Typnummer	vanaf serienummer as from serial number après numéro de serie ab Seriennummer
240	A	4.1230.0009.1	3000000	320	4.1225.0020.1	3000751	4.1225.0021.1	10805 - 0688	
		4.1257.0001.1	3000292						
		4.1230.0011.1	10804 - 0546						
		4.1230.0012.1	10806 - 0834						
		4.1230.0013.1	3000000						
280	A	4.1230.0014.1	3000915	4.1225.0022.1	3000000				
		4.1230.0015.1	3000000						
280	B	4.1229.0010.1	3001230	4.1225.0022.1	3000000				
		4.1229.0011.1	10803 - 0702						
		4.1229.0012.1	3000000						
		4.1229.0013.1	3000000						
		4.1229.0014.1	3000000						



E081-04-02

REF.	ONDERDEELNR. PART NUMBER REFERENCE TEILNUMMER	AANTAL QUANTITY QUANTITE ANZAHL
------	--	--

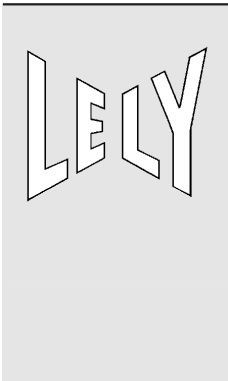
REF.	ONDERDEELNR. PART NUMBER REFERENCE TEILNUMMER	AANTAL QUANTITY QUANTITE ANZAHL
------	--	--

240 280 320

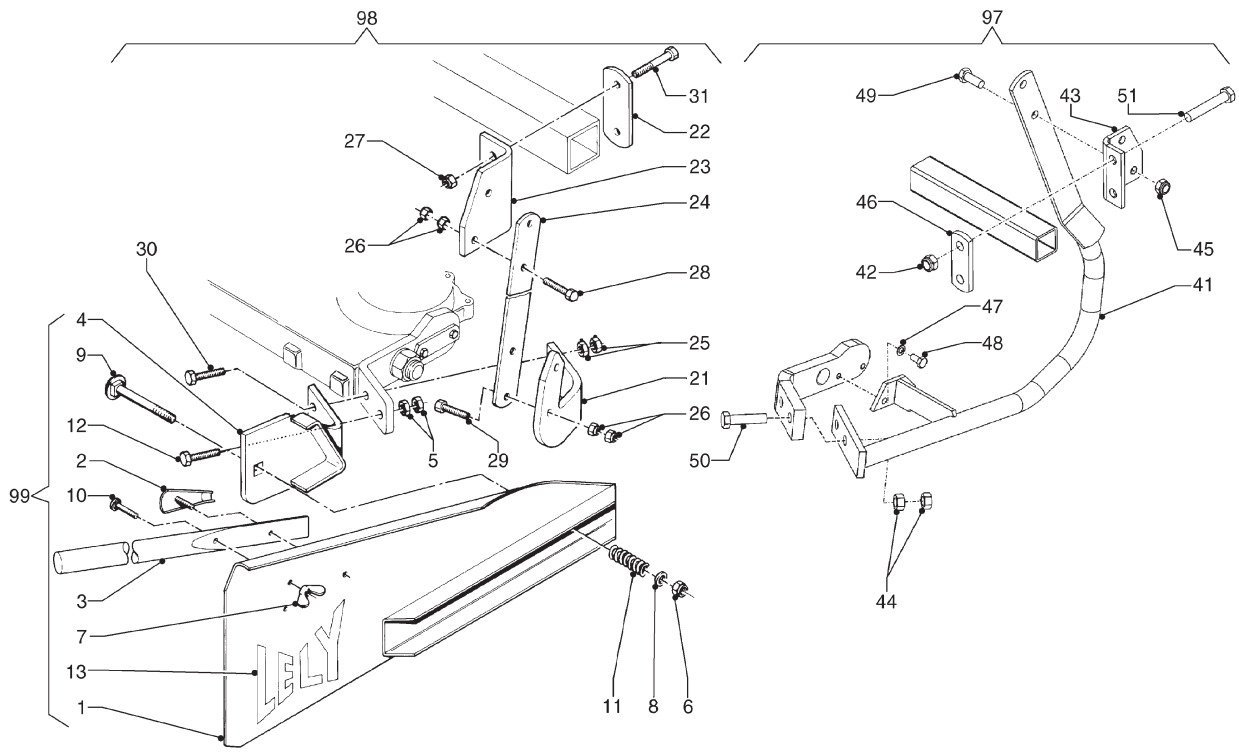
240 280 320

1	4.1203.0544.0	1 - -	
	4.1210.0600.0	- 1 -	[x]
	4.1219.0072.0	- - 1	[x]
2	4.1203.0612.0	1 - -	
	4.1210.0552.0	- 1 -	[x]
	4.1219.0081.0	- - 1	[x]
3	A 4.1203.1492.0	1 - -	Aramide 240 HD
	4.1230.1498.0	1 - -	PVC
	B 4.1210.1487.0	- 1 -	Aramide 280 HD
	4.1229.1496.0	- 1 -	PVC
	4.1225.1483.0	- - 1	PVC
4	4.1230.0132.0	1 - -	
	4.1229.0152.0	- 1 -	[x]
	4.1225.0212.0	- - 1	[x]
5	4.1210.1498.0	2 3 3	
6	9.1030.0040*3	2 2 2	M8 DIN 985-10
7	9.1030.0004*2	8 9 9	M10 DIN 985-8
8	9.1113.0100*1	2 3 3	M10x90 DIN 931-8.8
9	9.1147.0005*5	4 6 6	No. 50
10	4.1210.1496.0	1 1 1	
11	4.1225.1486.0	2 2 2	
12	4.1249.1498.0	1 1 1	
13	9.1029.0005*4	2 2 2	M10 DIN 934-8
14	9.1030.0015*6	2 2 2	M14 DIN 985-8

15	9.1048.0007*1	4 4 4	A10,5 DIN 125	[—]
16	9.1051.0002*0	2 2 2	A10,5 DIN 6798	[####]
17	9.1051.0005*3	3 3 3	A14,5 DIN 6798	[####]
18	9.1105.0011.4	2 2 2	M10x28	
19	9.1108.0085.6	2 2 2	Ø32	
20	9.1113.0027*5	3 3 3	M10x20 DIN 933-8.8	
21	9.1113.0029*0	1 1 1	M10x25 DIN 933-8.8	
22	9.1113.0117*4	2 2 2	M10x35 DIN 933-8.8	
23	9.1113.0119*6	3 3 3	M14x30 DIN 933-10.9	
24	9.1113.0280.6	2 2 2	M14x120 DIN 931-10.9	
25	#	1 1 1	L= 4000 (1m= 9.1163.0004.2)	
			Ø6	
31	4.1201.0650.0	1 1 1		
32	4.1201.0660.0	1 1 1		
33	4.1230.0220.0	1 - -		
	4.1229.0280.0	- 1 -	[x]	
	4.1219.0250.0	- - 1	[x]	
34	9.1030.0012*3	10 10 10	M8 DIN 985-8	
35	9.1108.0058.6	6 6 6	Ø32	
36	9.1113.0128*1	10 10 10	M8x25 DIN 933-8.8	
49	4.1230.0210.0	1 - -	= REF. 31-36	
	4.1229.0270.0	- 1 -	= REF. 31-36	
	4.1219.0240.0	- - 1	= REF. 31-36	



SPLENDIMO L	type nummer type number numéro de type Typnummer	vanaf serienummer as from serial number après numéro de serie ab Seriennummer	SPLENDIMO L	type nummer type number numéro de type Typnummer	vanaf serienummer as from serial number après numéro de serie ab Seriennummer
165	4.1257.0000.1	10711 - 0507 3000292	240	4.1230.0009.1	3000000 10804 - 0546 10806 - 0834
	4.1257.0001.1			4.1230.0011.1	
205	4.1233.0010.1	10804 - 0535 10804 - 0553 10804 - 0535 3000000 10806 - 0511 3000000	280	4.1230.0012.1	3000000 3000915 3000000
	4.1233.0011.1			4.1230.0013.1	
	4.1233.0012.1			4.1230.0014.1	
	4.1233.0013.1			4.1230.0015.1	
	4.1233.0014.1				
205 PROF	4.1233.0015.1	3003491	320	4.1229.0010.1	3001230 10803 - 0702 3000000
	4.1233.0030.1			4.1225.0020.1	
				4.1225.0021.1	3000751
				4.1225.0022.1	10805 - 0688 3000000



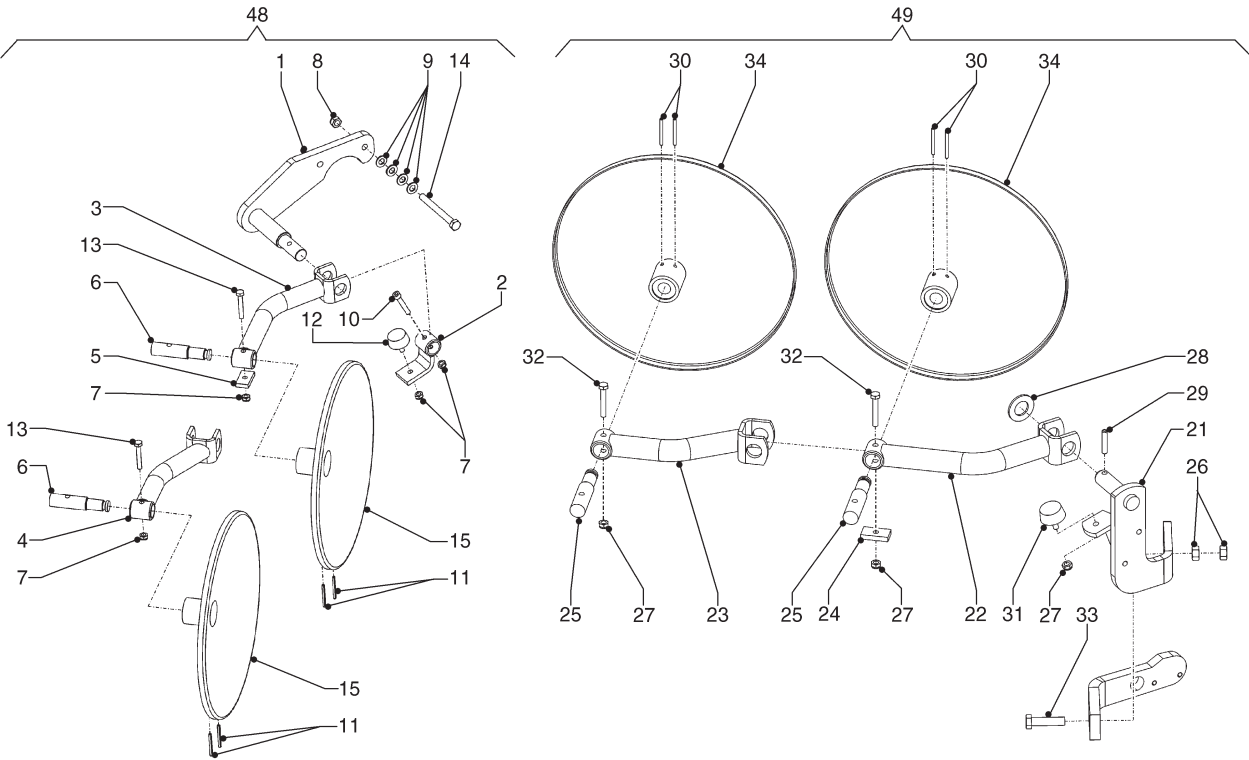
E082-03-11

REF.	ONDERDEELNR. PART NUMBER REFERENCE TEILNUMMER	AANTAL QUANTITY QUANTITE ANZAHL	165	205	240	280	320	
1	4.1201.0530.0	(1)	(1)	(1)	(1)	(1)	(1)	
2	4.1201.0600.0	(1)	(1)	(1)	(1)	(1)	(1)	
3	4.1201.1476.0	(1)	(1)	(1)	(1)	(1)	(1)	
4	4.1260.0430.0	(1)	(1)	(1)	-	(1)		
	4.1221.0200.0	-	-	(1)	-			
5	9.1029.0055.5	(1)	(1)	(4)	-	(4)	M16 DIN 934-10	
	9.1029.0052.0	-	-	(4)	-		M12 DIN 934-10	
6	9.1030.0013*4	(1)	(1)	(1)	(1)	(1)	M12 DIN 985-8	
7	9.1032.0002*5	(2)	(2)	(2)	(2)	(2)	M8 DIN 315-G-5	
8	9.1048.0012*6	(1)	(1)	(1)	(1)	(1)	A13 DIN 125	[]
9	9.1058.0030*0	(1)	(1)	(1)	(1)	(1)	M12x80 DIN 603	
10	9.1058.0035*5	(1)	(1)	(1)	(1)	(1)	M8x45 DIN 603	
11	9.1090.0012*6	(1)	(1)	(1)	(1)	(1)		
12	9.1113.0490.3	(2)	(2)	(2)	-	(2)	M16x55 DIN 931-10.9	
	9.1113.0498*0	(2)	(2)	(2)	-	(2)	[x]M16x80 DIN 931-10.9	
	9.1057.0039.3	-	-	(2)	-		[x]M12x70 DIN 912-12.9	
13	9.1170.0001.6	(1)	(1)	(1)	(1)	(1)	"LELY"	
21	4.1225.1480.0	(1)	(1)	(1)	(1)	(1)		
22	4.1257.0197.0	(1)	(1)	(1)	(1)	(1)		
23	4.1257.0198.0	(1)	(1)	(1)	(1)	(1)		
24	4.1257.0199.0	(1)	(1)	(1)	(1)	(1)		
25	9.1029.0055.5	(4)	(4)	(4)	(4)	(4)	M16 DIN 934-10	

REF.	ONDERDEELNR. PART NUMBER REFERENCE TEILNUMMER	AANTAL QUANTITY QUANTITE ANZAHL	165	205	240	280	320	
26	9.1030.0044*0	(4)	(4)	(4)	(4)	(4)	M14 DIN 985-10	
27	9.1030.0045*1	(2)	(2)	(2)	(2)	(2)	M16 DIN 985-10	
28	9.1113.0178*2	(2)	(2)	(2)	(2)	(2)	M14x35 DIN 933-10.9	
29	9.1113.0279*5	(2)	(2)	(2)	(2)	(2)	M14x45 DIN 933-10.9	
30	9.1113.0501*3	(2)	(2)	(2)	(2)	(2)	M16x65 DIN 931-10.9	
31	9.1113.0502*4	(2)	(2)	(2)	(2)	(2)	M16x90 DIN 931-10.9	
41	4.1225.0281.0	(1)	(1)	(1)	(1)	(1)		
42	4.1257.0197.0	(1)	(1)	(1)	(1)	(1)		
43	4.1257.0198.0	(1)	(1)	(1)	(1)	(1)		
44	9.1029.0055.5	(4)	(4)	(4)	(4)	(4)	M16 DIN 934-10	
45	9.1030.0044*0	(2)	(2)	(2)	(2)	(2)	M14 DIN 985-10	
46	9.1030.0045*1	(2)	(2)	(2)	(2)	(2)	M16 DIN 985-10	
47	9.1051.0002.0	(2)	(2)	(2)	(2)	(2)	A10,5 DIN 6798 [####]	
48	9.1113.0027*5	(2)	(2)	(2)	(2)	(2)	M10x20 DIN 933-8.8	
49	9.1113.0178*2	(2)	(2)	(2)	(2)	(2)	M14x35 DIN 933-10.9	
50	9.1113.0501*3	(2)	(2)	(2)	(2)	(2)	M16x65 DIN 931-10.9	
51	9.1113.0502*4	(2)	(2)	(2)	(2)	(2)	M16x90 DIN 931-10.9	
97	4.1225.0271.0	(1)	(1)	(1)	(1)	(1)	= REF. 41-51	
98	4.1257.0190.0	(1)	(1)	(1)	(1)	(1)	= REF. 21-31	
99	4.1225.0411.0	(1)	(1)	(1)	-	(1)	= REF. 1-13	
	4.1225.0410.0	-	-	(1)	-		= REF. 1-13	

LELY

SPLENDIMO L	type number type number numéro de type Typnummer	vanaf serienummer as from serial number après numéro de serie ab Seriennummer	SPLENDIMO L	type number type number numéro de type Typnummer	vanaf serienummer as from serial number après numéro de serie ab Seriennummer
205	4.1233.0010.1	10804 - 0535	280	4.1229.0010.1	3001230
	4.1230.0013.1	3000000		4.1229.0011.1	10803 - 0702
	4.1233.0011.1	10804 - 0553		4.1229.0012.1	3000000
	4.1233.0012.1	10804 - 0535		4.1229.0013.1	3000000
	4.1233.0013.1	3000000		4.1229.0014.1	3000000
	4.1233.0014.1	10806 - 0511			
	4.1233.0015.1	3000000	320	4.1225.0020.1	3000751
205 PROFI	4.1233.0030.1	3003491		4.1225.0021.1	10805 - 0688
	240			4.1225.0022.1	3000000
	4.1230.0009.1	3000000			
	4.1230.0011.1	10804 - 0546			
	4.1230.0012.1	10806 - 0834			
	4.1230.0014.1	3000915			
	4.1230.0015.1	3000000			



E101-03-00

REF.	ONDERDEELNR. PART NUMBER REFERENCE TEILNUMMER	AANTAL QUANTITY QUANTITE ANZAHL
------	--	--

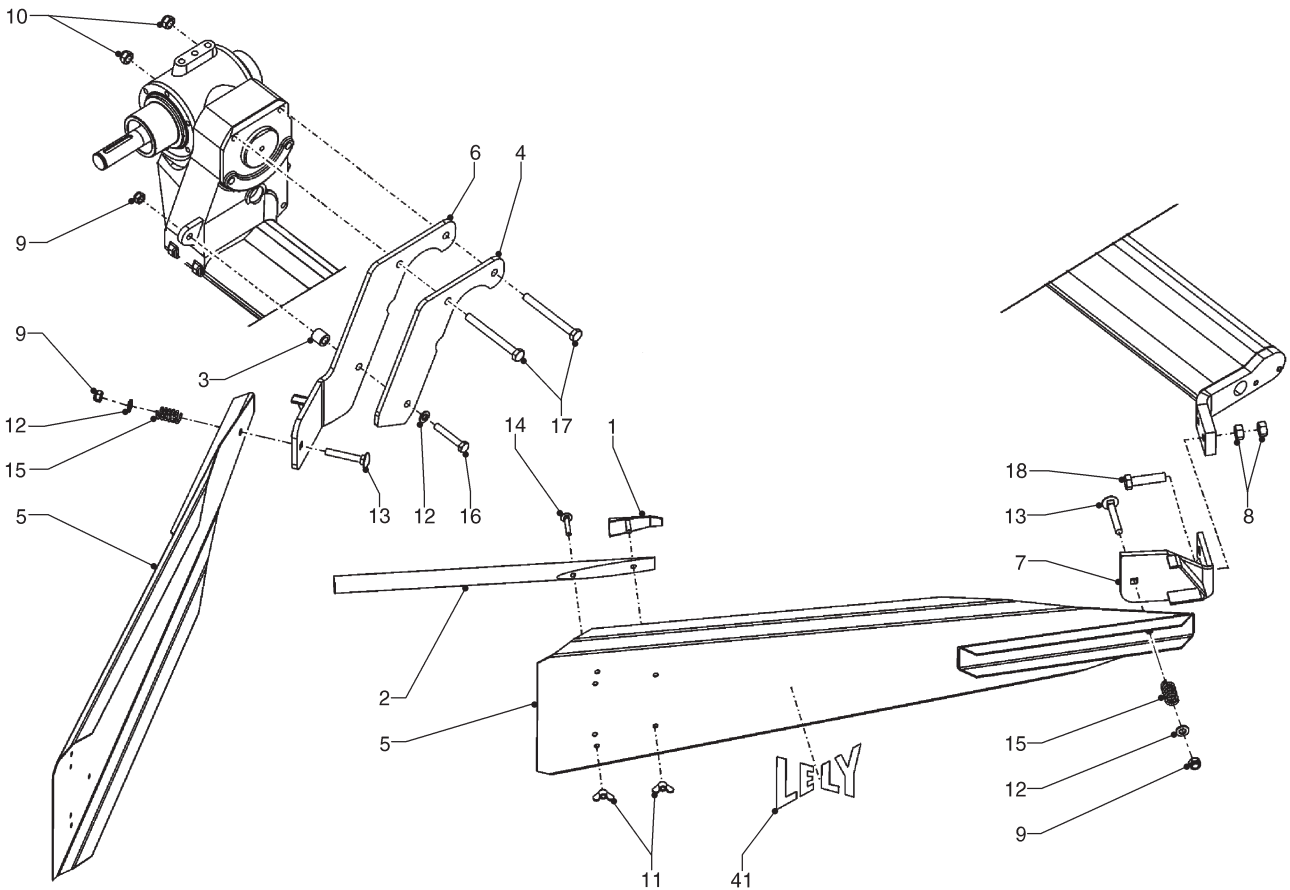
1	4.1225.0580.0	(1)
2	4.1225.0590.0	(1)
3	4.1228.0130.0	(1)
4	4.1228.0140.0	(1)
5	4.1228.0494.0	(1)
6	4.1228.0495.0	(2)
7	9.1030.0004*2	(4) M10 DIN 985-8
8	9.1030.0015*6	(2) M14 DIN 985-8
9	9.1048.0053*5	(8) A15 DIN 125 []
10	9.1057.0026.4	(1) M10x60 DIN 912-12.9
11	9.1070.0042.0	(4) Ø6x60 DIN 1481
12	9.1105.0011.4	(1) K50x22,5-M10x28
13	9.1113.0039*3	(2) M10x65 DIN 931-8.8
14	9.1113.0366.0	(2) M14x140 DIN 931-10.9
15	9.1127.0015.0	(2)
48	4.1225.0571.0	(1) = REF. 1-15

REF.	ONDERDEELNR. PART NUMBER REFERENCE TEILNUMMER	AANTAL QUANTITY QUANTITE ANZAHL
------	--	--

21	4.1225.0601.0	(1)
22	4.1228.0130.0	(1)
23	4.1228.0140.0	(1)
24	4.1228.0494.0	(1)
25	4.1228.0495.0	(2)
26	9.1029.0055.5	(4) M16 DIN 934-10
27	9.1030.0004*2	(3) M10 DIN 985-8
28	9.1048.0044*3	(1) A31 DIN 125 []
29	9.1070.0039.4	(1) Ø10x50 DIN 1481
30	9.1070.0042.0	(4) Ø6x60 DIN 1481
31	9.1105.0011.4	(1) K50x22,5-M10x28
32	9.1113.0039*3	(2) M10x65 DIN 931-8.8
33	9.1113.0501*3	(2) M16x65 DIN 931-10.8
34	9.1127.0015.0	(2)
49	4.1225.0651.0	(1) = REF. 21-34

LELY

SPLENDIMO L	type number type number numéro de type Typnummer	vanaf serienummer as from serial number après numéro de serie ab Seriennummer	SPLENDIMO L	type number type number numéro de type Typnummer	vanaf serienummer as from serial number après numéro de serie ab Seriennummer
240	4.1230.0009.1 4.1230.0011.1 4.1230.0012.1 4.1230.0013.1 4.1230.0014.1 4.1230.0015.1	3000000 10804 - 0546 10806 - 0834 3000000 3000915 3000000	280	4.1229.0010.1 4.1229.0011.1 4.1229.0012.1 4.1229.0013.1 4.1229.0014.1	3001230 10803 - 0702 3000000 3000000 3000000



E082-05-00

REF.	ONDERDEELNR. PART NUMBER REFERENCE TEILNUMMER	AANTAL QUANTITY QUANTITE ANZAHL
------	--	--

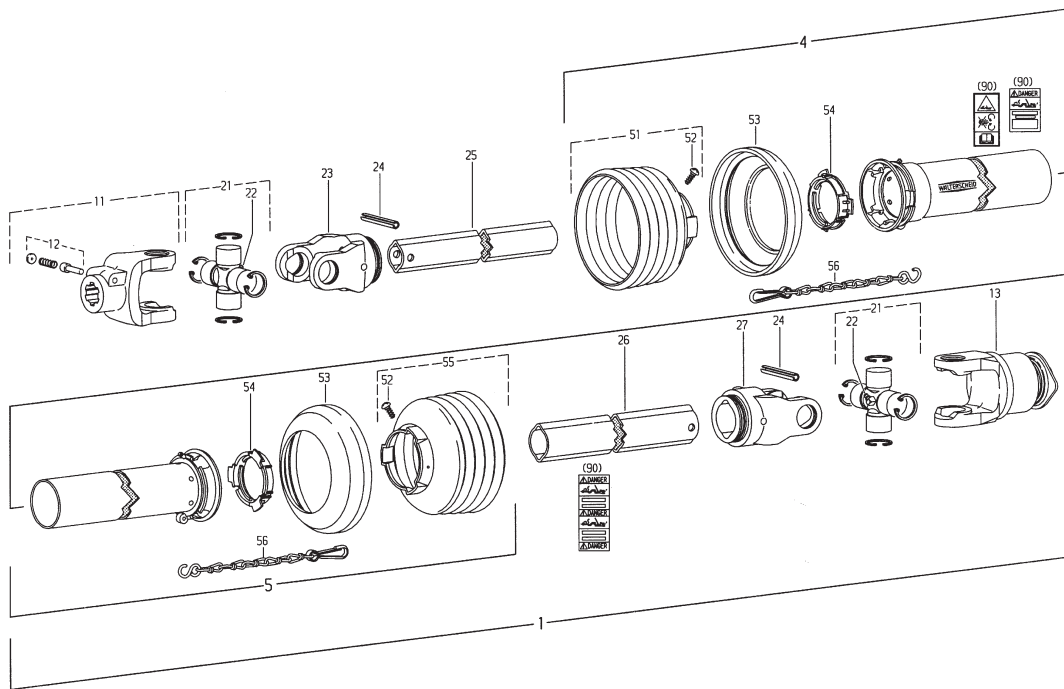
1	4.1201.0600.0	(2)
2	4.1201.1476.0	(2)
3	4.1230.0187.0	(1)
4	4.1230.0188.0	(1)
5	4.1230.0190.0	(2)
6	4.1230.0200.0	(1)
7	4.1260.0430.0	(1)
8	9.1029.0055.5	(4) M16 DIN 934-10
9	9.1030.0013*4	(3) M12 DIN 985-8
10	9.1030.0015*6	(2) M14 DIN 985-8
11	9.1032.0002*5	(4) M8 DIN 315-G-5
12	9.1048.0012*6	(3) A13 DIN 125
13	9.1058.0030*0	(2) M12x80 DIN 603
14	9.1058.0035*5	(2) M8x45 DIN 603
15	9.1090.0012.6	(2)
16	9.1113.0060*3	(1) M12x75 DIN 931-8.8
17	9.1113.0366*0	(2) M14x140 DIN 931-10.9
18	9.1113.0501*3	(2) M16x65 DIN 931-10.9

REF.	ONDERDEELNR. PART NUMBER REFERENCE TEILNUMMER	AANTAL QUANTITY QUANTITE ANZAHL
------	--	--

41	9.1170.0001.6	2 "LELY"
----	---------------	----------

LELY

SPLENDIMO L	type number type number numéro de type Typnummer	vanaf serienummer as from serial number après numéro de serie ab Seriennummer	SPLENDIMO L	type number type number numéro de type Typnummer	vanaf serienummer as from serial number après numéro de serie ab Seriennummer
165	4.1257.0000.1 4.1257.0001.1	10711 - 0507 3000292	205 PROFI	4.1233.0030.1	3003491
205	4.1233.0010.1 4.1233.0011.1 4.1233.0012.1 4.1233.0013.1 4.1233.0014.1 4.1233.0015.1	10804 - 0535 10804 - 0553 10804 - 0535 3000000 10806 - 0511 3000000			



Ew001-08-01

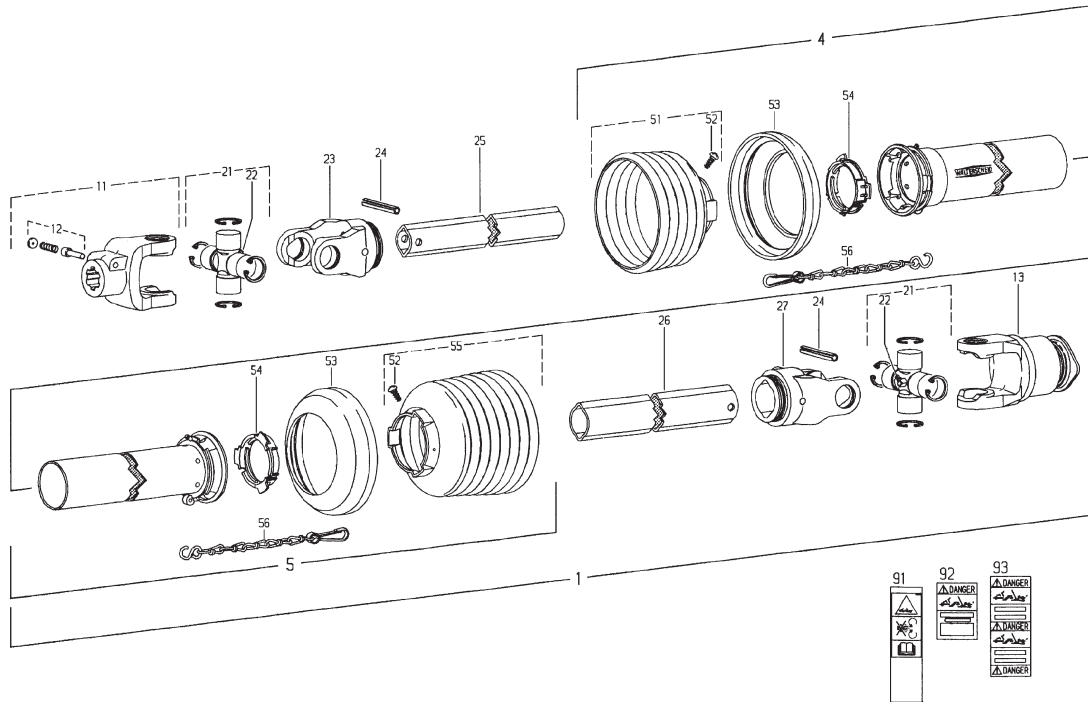
REF.	ONDERDEELNR. PART NUMBER REFERENCE TEILNUMMER	AANTAL QUANTITY QUANTITE ANZAHL	
------	--	--	--

1	9.1154.0082.5	1	W2300-SD15SW-860-F5/1R = REF. 11-90
4	85.135	1	SDH15SW-A670-RP12-K
5	85.134	1	SDH15SW-J660-RP12-K
11	21.10.00	1	AG2300-1.3/8" (6)
12	33.91.07	1	AGRASET 101
13	56.141.40	1	F5/1R-2300-1.3/8" (6)ZV
21	21.00.00	2	
22	63.27.00	2	BM 8x1
23	21.11.00	1	RG2300-Ov
24	9.1070.0028.0	2	Ø10x65 DIN 1481
25	75.11.96	1	OvGA-740
26	75.16.16	1	1G-725
27	21.12.00	1	RG2300-1
51	85.15.35	1	n= 5
52	60.15.00	2	4x10
53	82.85.00	2	
54	82.83.06	2	
55	85.15.36	1	n= 6
56	82.36.03	2	
90	11.87.45	1	AGRASET 207

REF.	ONDERDEELNR. PART NUMBER REFERENCE TEILNUMMER	AANTAL QUANTITY QUANTITE ANZAHL	
------	--	--	--

LELY

SPLENDIMO L	type nummer type number numéro de type Typnummer	vanaf serienummer as from serial number après numéro de serie ab Seriennummer	SPLENDIMO L	type nummer type number numéro de type Typnummer	vanaf serienummer as from serial number après numéro de serie ab Seriennummer
240	4.1230.0009.1	3000000	320	4.1225.0020.1	3000751
	4.1230.0011.1	10804 - 0546		4.1225.0021.1	10805 - 0688
	4.1230.0012.1	10806 - 0834		4.1225.0022.1	3000000
	4.1230.0013.1	3000000			
	4.1230.0014.1	3000915			
	4.1230.0015.1	3000000			
280	4.1229.0010.1	3001230			
	4.1229.0011.1	10803 - 0702			
	4.1229.0012.1	3000000			
	4.1229.0013.1	3000000			
	4.1229.0014.1	3000000			



Ew001-06-02

REF.	ONDERDEELNR. PART NUMBER REFERENCE TEILNUMMER	AANTAL QUANTITY QUANTITE ANZAHL	
------	--	--	--

1	9.1154.0209.6	1	W2400-SD25SW-860-F5/1R = REF. 11-93
4	85.235	1	SDH25SW-A645-RP7-K
5	85.234	1	SDH25SW-J640-RP12-K
11	35.10.00	1	AG2400-1.3/8" (6)
12	33.91.07	1	AGRASET 101
13	56.144.40	1	F5/1R-2400-1.3/8" (6) ZV
21	35.00.00	2	
22	63.27.00	2	BM8x1
23	35.13.00	1	RG2400-1b
24	61.05.08	2	Ø10x80 DIN 1481
25	75.25.95	1	1bGA-740
26	75.36.15	1	2aG-715
27	35.14.00	1	RG2400-2a
51	85.25.36	1	n= 6
52	60.15.00	2	4x10
53	82.85.00	2	
54	82.83.04	2	
55	85.25.38	1	n= 8
56	82.36.03	2	400
91	16.61.175	1	
92	16.61.163	1	
93	16.61.162	1	

REF.	ONDERDEELNR. PART NUMBER REFERENCE TEILNUMMER	AANTAL QUANTITY QUANTITE ANZAHL	
------	--	--	--