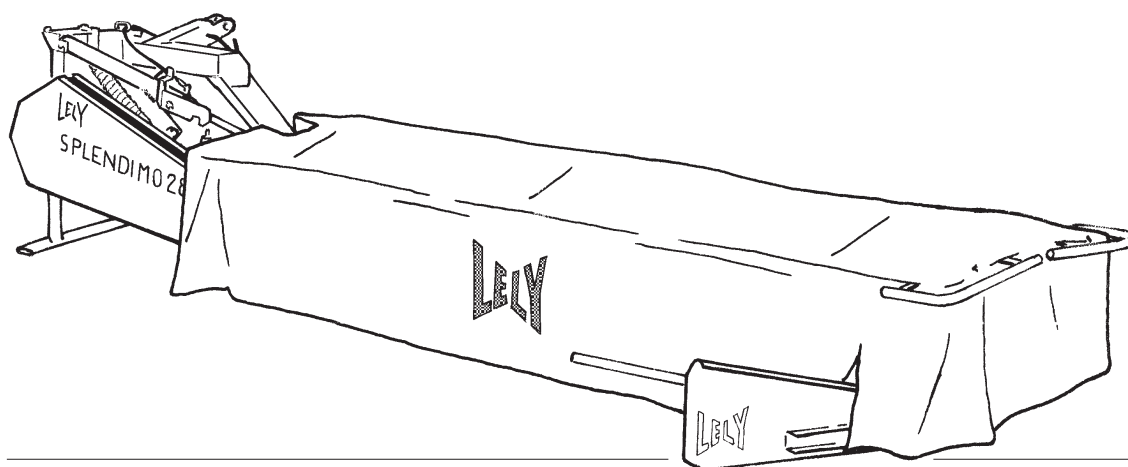


LELY

HIGH - TECH
IN AGRICULTURE

ONDERDELENLIJST PARTS LIST LISTE DE PIECES DE RECHANGE ERSATZTEILLISTE

SPLENDIMO L



SPLENDIMO 280 L

| SPLENDIMO L | type number type number numéro de type Typennummer | vanaf serienummer as from serial number après numéro serie ab Seriennummer | SPLENDIMO L | type number type number numéro de type Typennummer | vanaf serienummer as from serial number après numéro serie ab Seriennummer |
|-------------------------|---|---|---------------|---|---|
| 165 | 4.1257.0002.1 4.1257.0003.1 | 3007897 3000000 | 240 240 HD | 4.1230.0018.1 4.1230.0030.1 | 3000000 3010172 |
| 205 205 HD 205 HD | 4.1233.0016.1 4.1233.0017.1 4.1233.0031.1 | 3007932 3008081 3010642 | 280 | 4.1229.0015.1 4.1229.0016.1 | 3008250 3000000 |
| 240 240 HD | 4.1230.0016.1 4.1230.0017.1 | 3008111 3000000 | 320 | 4.1225.0023.1 4.1225.0024.1 | 3008820 3000000 |



LELY INDUSTRIES NV

ONDERDELEN

Bij het bestellen van onderdelen is het belangrijk dat u het type- en serienummer van uw machine opgeeft.

Gebruik alleen originele LELY-onderdelen.

SPARE PARTS

When ordering spare parts, it is important that you indicate the type and serial number of your machine.

Use only genuine LELY parts.

PIECES DE RECHANGE

En commandant des pièces de rechange il importe que vous indiquiez les numéros de type et de série de votre machine.

N'utiliser que des pièces d'origines LELY.

ERSATZTEILE

Beim Bestellen von Ersatzteilen ist es wichtig, daß Sie die Typ- und Seriennummer Ihrer Maschine angeben.

Nur Original-LELY-Ersatzteile verwenden.

Typ- und Seriennummer in nebenstehende Abbildung eintragen. Bei künftigen Bestellungen haben Sie die Nummer dann griffbereit.

Vul het type- en serienummer hieronder in.

Bij toekomstige onderdelenbestellingen heeft u de nummers dan bij de hand.

Complete the box below with the type and serial number.

This is an easy reference with a view to future spare parts ordering.

Veillez noter, ci-dessous, les numéros de type et de serie.

Ceci est important pour toutes commandes de pièces de rechange.

| | | | |
|-------------|--------------------------------------|----|-----------|
| LELY | LELY INDUSTRIES NV | | CE |
| | 3147 PA MAASSLUIS THE NETHERLANDS | | |
| | | kg | |
| Type | | | |
| Ser.Nr. | | | |

Verklaring van de in de onderdelenlijst gebruikte tekens.

Explanation of signs used in the parts list.

Explication des signes qui figurent dans la liste des pièces.

Erklärung der in der Ersatzteilliste verwendeten Zeichen.

[R] = RECHTSE UITVOERING
RH VERSION

[L] = LINKSE UITVOERING
LH VERSION

Onder rechtse of linkse uitvoering wordt de plaats van het onderdeel verstaan, gezien van de achterzijde van de machine.

By RH or LH version the position of the part is meant, seen from the rear of the machine

[RD] = RECHTSOM DRAAIENDE UITVOERING
RH ROTATING VERSION

[LD] = LINKSOM DRAAIENDE UITVOERING
LH ROTATING VERSION

Onder rechtsom of linksom draaiende uitvoering wordt de draairichting van het onderdeel verstaan, gezien van de bovenzijde van de machine.

By RH or LH rotating version the sense of rotating of the part is meant, seen from the top of the machine.

[x] = ONDERDEEL WORDT NIET GETOOND
PART IS NOT SHOWN

Bijvoorbeeld linkse uitvoering overeenkomstig de wel getekende rechtse uitvoering.

E.g. : LH version is similar to the RH version, which is actually shown.

[#] = NIET LOS LEVERBAAR
NOT AVAILABLE SEPARATELY

~ = AANTAL (INDIEN NODIG) AFHANKELIJK VAN INBOUWMAAT
QUANTITY (IF APPLICABLE) DEPENDING UPON ASSEMBLY

[—] = SLUITRING

[—/—] = VEERRING

[####] = TANDVEERRING

[»|«] = OLIEKEERRING

[T+T] = TANDWIELSET

[D+D] = VULRINGSET

[A+A] = SET AFDICHTINGSRINGEN

WASHER

SPRING WASHER

SHAKE-PROOF WASHER

OIL SEAL

PAIR OF GEARS

SHIM SET

SET OF SEALING RINGS

VERSION DROITE
RECHTE AUSFÜHRUNG

VERSION GAUCHE
LINKE AUSFÜHRUNG

Par version droite ou gauche on entend la position de la pièce, vue de l'arrière de la machine.

Die Verweisungen "rechte Ausführung" oder "linke Ausführung" geben die Position des Teils, von der Hinterseite der Maschine aus gesehen, an.

VERSION ROTATION A DROITE
RECHTSUMDREHENDE AUSFÜHRUNG

VERSION ROTATION A GAUCHE
LINKSUMDREHENDE AUSFÜHRUNG

Version rotation à droit: ceci correspond au sens de rotation de la pièce, vue du dessus la machine.

Mit diesen Verweisungen wird die Drehrichtung des Teils von der Oberseite der Maschine aus gesehen, angegeben.

PIECE N'EST PAS MONTREE
TEIL WIRD NICHT GEZEIGT

Exemple : la version gauche est représentée. La version droite correspond à la version gauche, mais n'est pas représentée.

Beispiel : die linke Ausführung entspricht der effektiv gezeigten Rechten.

VENDU EN KIT UNIQUEMENT
NICHT SEPARAT LIEFERBAR

QUANTITE (SI NÉCESSAIRE) EN FONCTION DU MONTAGE
ANZAHL VOM EINBAUMASS ABHÄNGIG (WENN ERFORDERLICH)

RONDELLE PLATE

RONDELLE GROWER

RONDELLE EVENTAIL

ETANCHEITE

JEU D'ENGRENAGES

JEU D'ÉPAISSEURS

JEU D'ANNEAUX D'ETANCHEITE

UNTERLEGSCHEIBE

FEDERRING

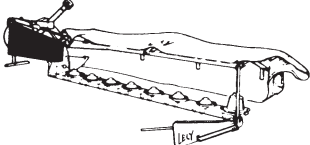
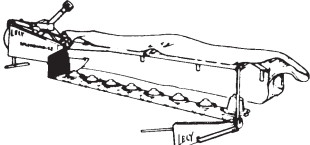
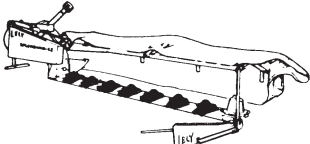
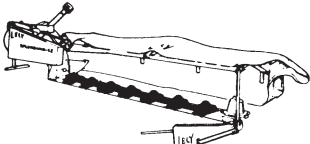
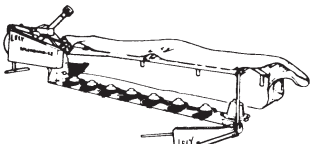
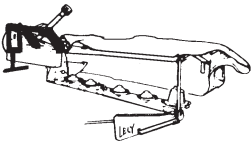
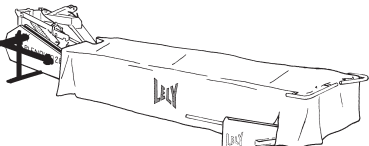
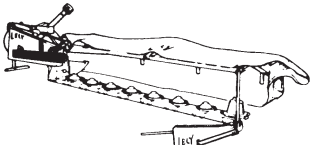
RÄNDELFEDEERING

ÖLDICHTUNGSRING

ZAHNRÄDERSATZ

PASSSCHEIBENSATZ

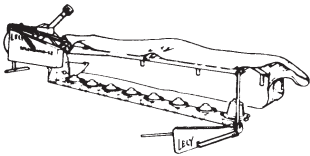
DICHTUNGSRINGENSATZ

| | | |
|---|--|--------------|
|  | <p>Snaaraandrijving V-belt drive Entraînement à courroies Keilriemenantrieb</p> | <p>01-03</p> |
|  | <p>Tandwielkast Gearbox Boîte d'engrenages Getriebe</p> | <p>04</p> |
|  | <p>Maaielementen Cutting units Unités de fauchage Mäh-Einheiten</p> | <p>05</p> |
|  | <p>Maaibalk + slijtsloffen Cutter bar + wear skids Barre de coupe + patins d'usure Mähbalken + Verschleißkufen</p> | <p>06-07</p> |
|  | <p>Slijtsloffen + Slijtplaten Wear skids + wear plates Patins d'usure + Patins d'usure Verschleißkufen + Verschleißplatten</p> | <p>08</p> |
|  | <p>Driepuntsbok Headstock Tête d'attelage Dreipunktturm</p> | <p>09+10</p> |
|  | <p>Trekhaak + bumper Tow bar + bumper Crochet d'attelage + pare-chocs Zughaken + Stoßstange</p> | <p>11</p> |
|  | <p>Freem + uitslagbeveiliging Frame + anti-shock device Châssis + dispositif anto choc Rahmen + Ausklinkvorrichtung</p> | <p>12+13</p> |

SPLENDIMO L

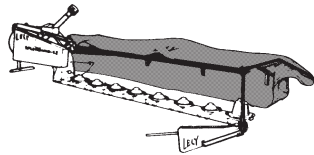
Inhoud
Contents
Index
Inhalt

pagina
page
page
Seite



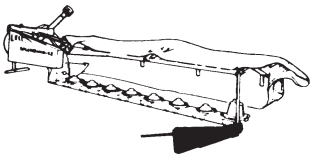
Hydraulische cilinder
Hydraulic ram
Vérin hydraulique
Hydraulikzylinder

14



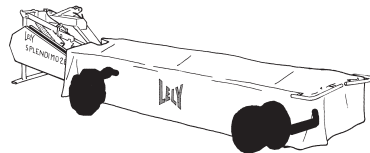
Beveiligingsframe
Protection frame
Châssis de protection
Schutzrahmen

15+16



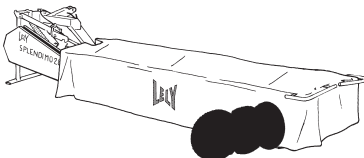
Einsteun + steun/gewasscheider
End support +
Support final +
Endstütze +

17



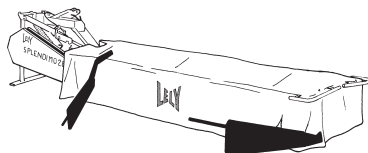
Zwadwielen
Swathwheels
Planche à andains
Schwadscheiben

18



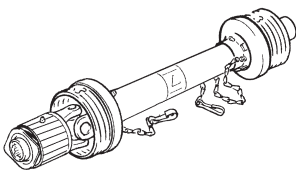
Zwadwiel
Swathwheel
Planche à andain
Schwadscheibe

19



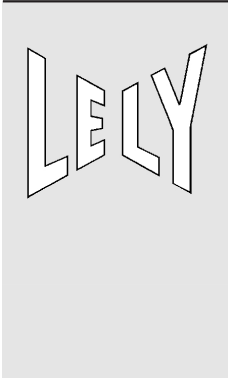
Zwadbord lang
Swathboard long
Planche à andain
Schwadbrett

20

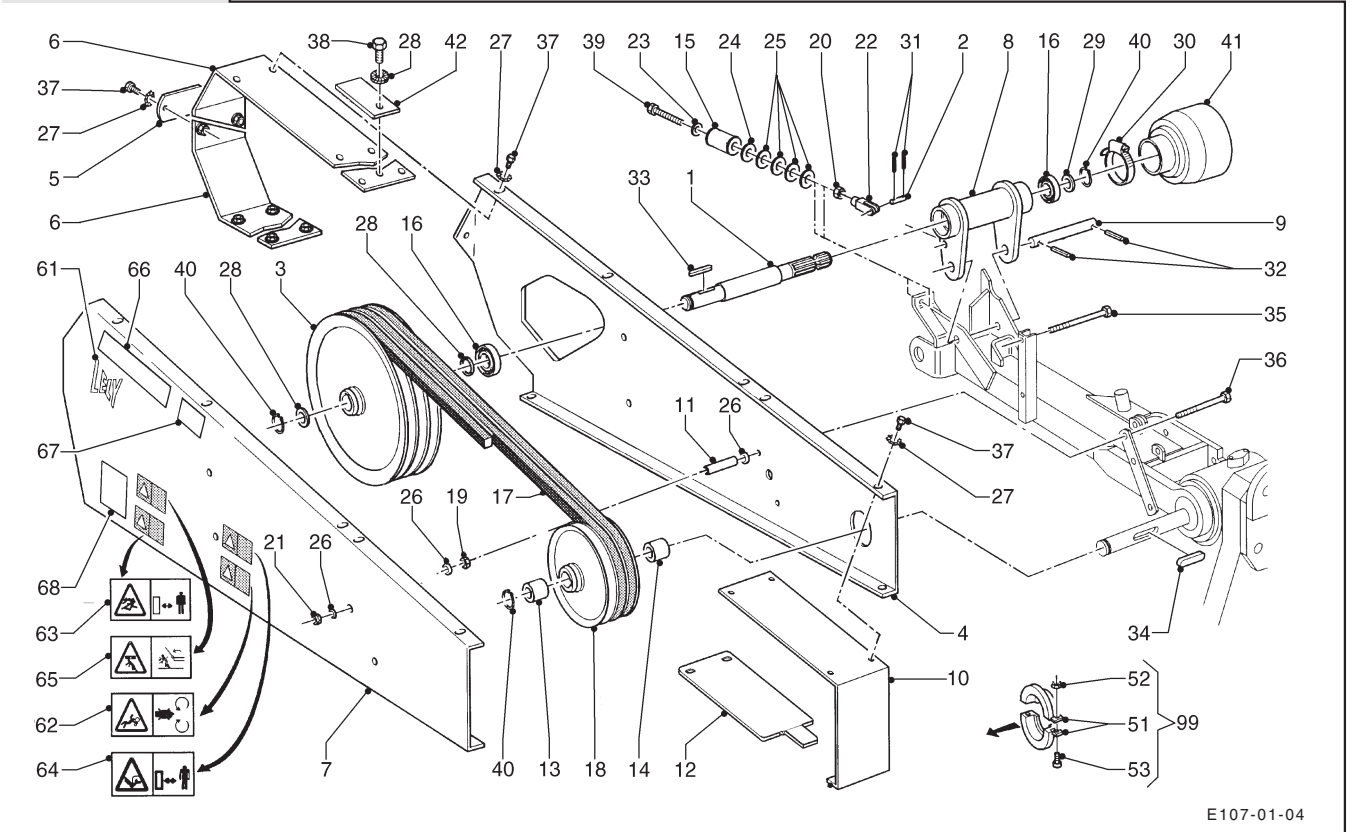


Koppelingsas
PTO-shaft
Arbre de transmission
Gelenkwelle

21+22



| SPLENDIMO L | type number type number numéro de type Typnummer | vanaf serienummer as from serial number après numéro de serie ab Seriennummer | SPLENDIMO L | type number type number numéro de type Typnummer | vanaf serienummer as from serial number après numéro de serie ab Seriennummer | |
|-------------|---|--|-------------|---|--|---------|
| 165 | 4.1257.0000.1 | 10711 - 0507 | 205 PROFI B | 4.1233.0030.1 | 3003491 | |
| | 4.1257.0001.1 | 3000292 | | 205 HD C | 4.1233.0031.1 | 3010642 |
| | 4.1257.0002.1 | 3007897 | | | | |
| | 4.1257.0003.1 | 3000000 | | | | |
| 205 A | 4.1233.0010.1 | 10804 - 0535 | | | | |
| | 4.1233.0011.1 | 10804 - 0553 | | | | |
| | 4.1233.0012.1 | 10804 - 0535 | | | | |
| | 4.1233.0013.1 | 10709 - 0526 | | | | |
| | 4.1233.0014.1 | 10806 - 0511 | | | | |
| | 4.1233.0015.1 | 10703 - 0501 | | | | |
| | 4.1233.0016.1 | 3007932 | | | | |
| 205 HD | 4.1233.0017.1 | 3008081 | | | | |



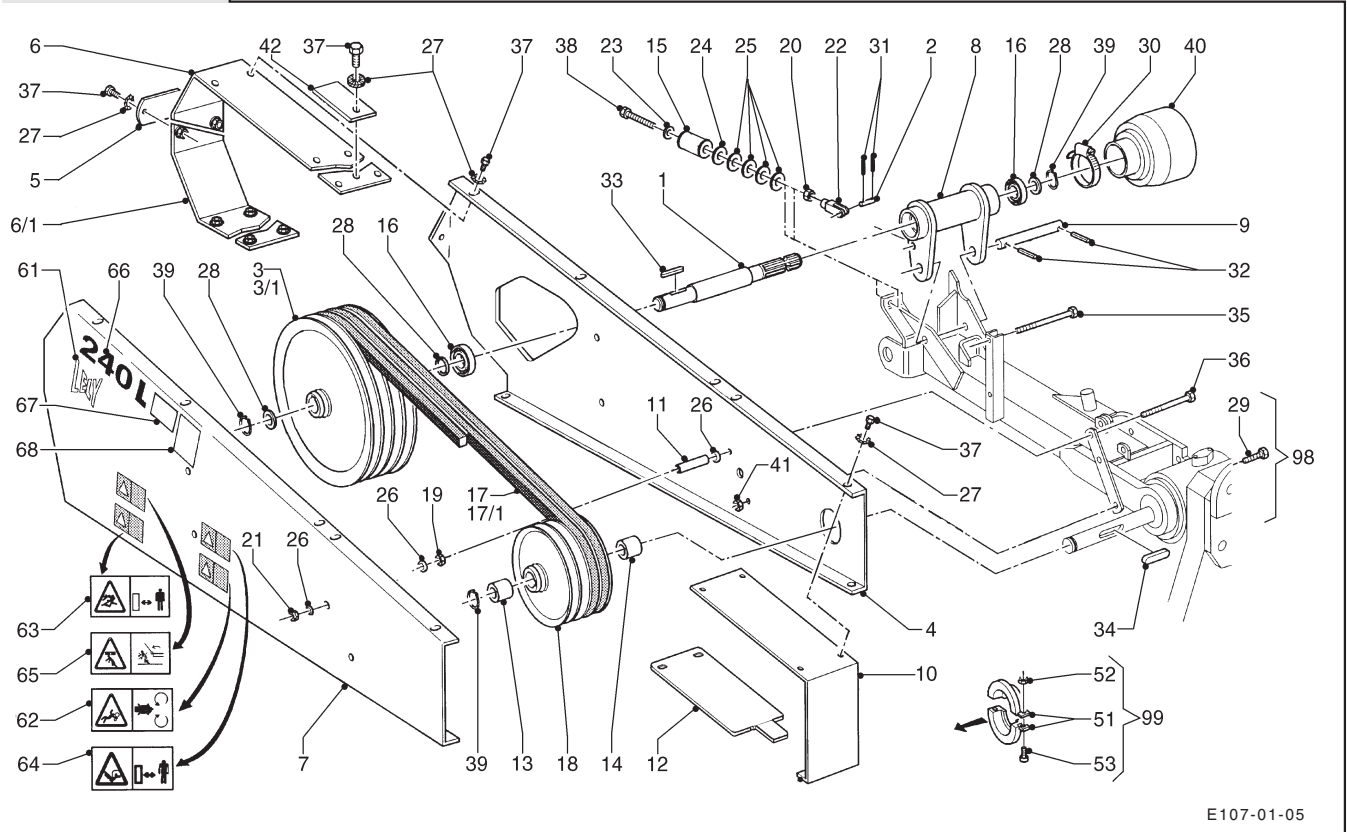
E107-01-04

| REF. | ONDERDEELNR. PART NUMBER REFERENCE TEILNUMMER | AANTAL QUANTITY QUANTITE ANZAHL | |
|------|--|--|------------------------|
| 1 | 4.1201.0498.0 | 1 | |
| 2 | 4.1201.1471.0 | 1 | |
| 3 | 4.1201.0519.0 | 1 | |
| 4 | 4.1207.0623.0 | 1 | |
| 5 | 4.1207.0624.0 | 1 | |
| 6 | 4.1233.0660.0 | 2 | |
| B/C | 4.1233.0660.0 | 1 | |
| B/C | 4.1251.0510.0 | 1 | |
| 7 | 4.1210.1488.0 | 1 | |
| 8 | 4.1225.0420.0 | 1 | |
| 9 | 4.1225.1494.0 | 1 | |
| 10 | 4.1229.0170.0 | 1 | |
| 11 | 4.1229.1498.0 | 4 | L= 112mm |
| 12 | 4.1240.1462.0 | 1 | |
| 13 | 4.1233.1493.0 | 1 | L= 34mm |
| 14 | 4.1233.1494.0 | 1 | L= 16mm |
| 15 | 4.1251.1483.0 | 1 | L= 50mm |
| 16 | 9.1001.0087.2 | 2 | 6207 2RS1-C3 |
| 17 | 9.1075.0003.5 | 3 | SPB Lw= 2650 SC |
| 18 | 9.1075.0107.4 | 1 | |
| 19 | 9.1029.0005*4 | 4 | M10 DIN 934-8 |
| 20 | 9.1029.0008*0 | 1 | M12 DIN 934-8 |
| 21 | 9.1030.0004*2 | 4 | M10 DIN 985-8 |
| 22 | 9.1038.0006*3 | 1 | M12x48 DIN 71752 |
| 23 | 9.1048.0012*6 | 1 | A13 DIN 125 [] |
| 24 | 9.1048.0041*0 | 1 | A13 DIN 9021 [] |
| 25 | 9.1048.0067.5 | 4 | A13 DIN 9021 Nylon [] |
| 26 | 9.1049.0018.4 | 12 | Nylon [] |
| 27 | 9.1051.0001.6 | 20 | A8,2 DIN 6798 [] |
| 28 | 9.1051.0001.6 | 2 | A8,2 DIN 6798 [] |
| B/C | 9.1051.0001.6 | 1 | A8,2 DIN 6798 [] |
| 29 | 9.1052.0006*3 | 3 | 35x45x2,5 DIN 988 [] |

| REF. | ONDERDEELNR. PART NUMBER REFERENCE TEILNUMMER | AANTAL QUANTITY QUANTITE ANZAHL | |
|------|--|--|--------------------------|
| 30 | 9.1066.0010*0 | 1 | Ø70-90 |
| 31 | 9.1070.0018.4 | 2 | Ø6x40 DIN 1481 |
| 32 | 9.1070.0023.2 | 2 | Ø8x50 DIN 1481 |
| 33 | 9.1071.0037.1 | 1 | A10x8x80 DIN 6885 |
| 34 | 9.1071.0016.1 | 1 | A10x8x40 DIN 6885 |
| 35 | 9.1113.0143*2 | 2 | M10x150 931-8.8 |
| 36 | 9.1113.0292*4 | 2 | M10x160 931-8.8 |
| 37 | 9.1113.0341*1 | 20 | M8x20 DIN 933-10.9 |
| 38 | 9.1113.0341*1 | 2 | M8x20 DIN 933-10.9 |
| B/C | 9.1113.0341*1 | 1 | M8x20 DIN 933-10.9 |
| 39 | 9.1113.0360*1 | 1 | M12x50 DIN 933-10.9 |
| 40 | 9.1119.0019.5 | 3 | 35x2,50 DIN 471 |
| 41 | 9.1161.0014.0 | 1 | |
| 42 | 4.1233.0668.0 | 2 | |
| B/C | 4.1233.0668.0 | 1 | |
| 51 | 4.1201.2310.0 | (2) | |
| 52 | 9.1029.0004*3 | (2) | M8 DIN 934-8 |
| 53 | 9.1057.0003.2 | (2) | M8x20 DIN 912-8.8 |
| 61 | 9.1170.0200.2 | 1 | "LELY" |
| 62 | 9.1170.0407.6 | 1 | |
| 63 | 9.1170.0410.2 | 1 | |
| 64 | 9.1170.0419.4 | 1 | |
| 65 | 9.1170.0420.5 | 1 | |
| 66 | 9.1170.0523.3 | 1 | "205L" |
| | 9.1170.0554.6 | 1 | "165L" [x] |
| 67 | A/C 9.1170.0564.2 | 1 | "HD" |
| B/C | 9.1170.0604.0 | 1 | "PROFI" [x] |
| 68 | B/C 9.1170.0579.3 | 1 | "Max 75 kg - Max 750 kg" |
| 99 | 4.1201.2300.0 | (1) | = REF. 51-53 |



| SPLENDIMO L | type nummer type number número de type Typnummer | vanaf serienummer as from serial number après numéro de serie ab Seriennummer | SPLENDIMO L | type nummer type number número de type Typnummer | vanaf serienummer as from serial number après numéro de serie ab Seriennummer |
|-------------|---|--|-------------|---|--|
| 240 | 4.1230.0009.1 | 3000000 | 280 | 4.1229.0010.1 | 3001230 |
| | 4.1230.0011.1 | 10804 - 0546 | | 4.1229.0011.1 | 10803 - 0702 |
| | 4.1230.0012.1 | 10806 - 0834 | | 4.1229.0012.1 | 3000000 |
| | 4.1230.0013.1 | 3000000 | | 4.1229.0013.1 | 3000000 |
| | 4.1230.0014.1 | 3000915 | | 4.1229.0014.1 | 10703 - 0501 |
| | 4.1230.0015.1 | 10703 - 0501 | | 4.1229.0015.1 | 3008250 |
| | 4.1230.0016.1 | 3008111 | | 4.1229.0016.1 | 3000000 |
| 240 HD | 4.1230.0017.1 | 3000000 | | | |
| | 4.1230.0018.1 | 3000000 | | | |
| 240 HD A | 4.1230.0030.1 | 3010172 | | | |



E107-01-05

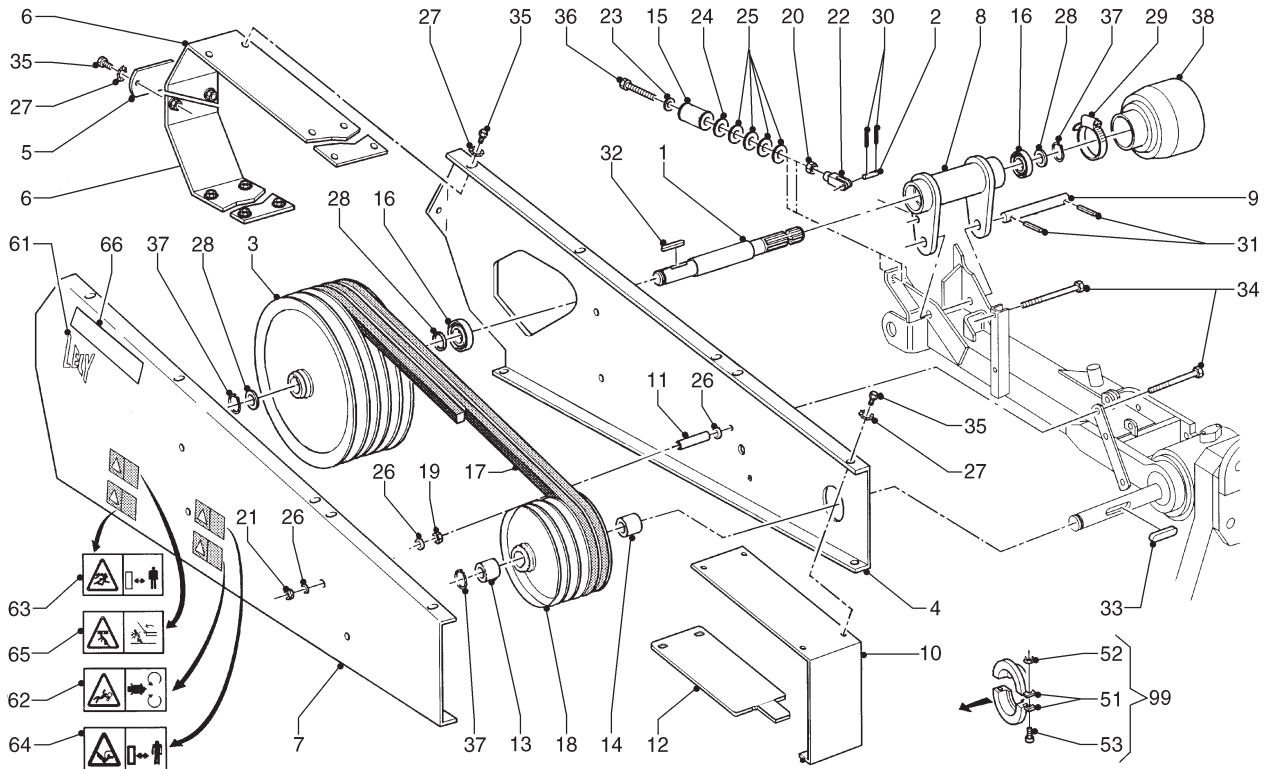
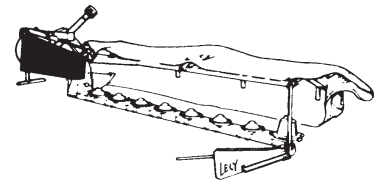
| REF. | ONDERDEELNR. PART NUMBER REFERENCE TEILNUMMER | AANTAL QUANTITY QUANTITE ANZAHL | |
|------|--|--|------------------------------|
| 1 | 4.1201.0498.0 | 1 | |
| 2 | 4.1201.1471.0 | 1 | |
| 3 | 4.1203.0527.0 | 1 | |
| 3/1 | 4.1220.1490.0 | (1) | 1000/min [x] |
| 4 | 4.1207.0623.0 | 1 | |
| 5 | 4.1207.0624.0 | 1 | |
| 6 | 4.1207.0660.0 | 1 | |
| A | 4.1233.0660.0 | 1 | |
| 6/1 | 4.1207.0660.0 | 1 | |
| A | 4.1251.0510.0 | 1 | |
| 7 | 4.1210.1488.0 | 1 | |
| 8 | 4.1225.0420.0 | 1 | |
| 9 | 4.1225.1494.0 | 1 | |
| 10 | 4.1229.0170.0 | 1 | |
| 11 | 4.1229.1498.0 | 4 | L = 112mm |
| 12 | 4.1240.1462.0 | 1 | |
| 13 | 4.1251.1487.0 | 1 | L = 29mm |
| 14 | 4.1251.1488.0 | 1 | L = 21mm |
| 15 | 4.1251.1483.0 | 1 | L = 50mm |
| 16 | 9.1001.0087.2 | 2 | 6207 2RS1-C3 |
| 17 | 9.1075.0003.5 | 4 | SPB Lw = 2650 SC |
| 17/1 | 9.1075.0002.4 | (4) | SPB Lw = 2360SC 1000/min [x] |
| 18 | 9.1075.0105.2 | 1 | 180SPB4 |
| 19 | 9.1029.0005*4 | 4 | M10 DIN 934-8 |
| 20 | 9.1029.0008*0 | 1 | M12 DIN 934-8 |
| 21 | 9.1030.0004*2 | 4 | M10 DIN 985-8 |
| 22 | 9.1038.0006*3 | 1 | M12x48 DIN 71752 |
| 23 | 9.1048.0012*6 | 1 | A13 DIN 125 |
| 24 | 9.1048.0041*0 | 1 | A13 DIN 9021 |
| 25 | 9.1048.0067.5 | 4 | A13 DIN 9021 Nylon |
| 26 | 9.1049.0018.4 | 12 | Nylon |
| 27 | 9.1051.0001.6 | 20 | A8,2 DIN 6798 |
| A | 9.1051.0001.6 | 21 | A8,2 DIN 6798 |

| REF. | ONDERDEELNR. PART NUMBER REFERENCE TEILNUMMER | AANTAL QUANTITY QUANTITE ANZAHL | |
|------|--|--|---|
| 28 | 9.1052.0006*3 | 3 | 35x45x2,5 DIN 988 |
| 29 | 9.1058.0045*1 | (1) | M10x25 DIN 603-8.8 |
| 30 | 9.1066.0010*0 | 1 | Ø70-90 |
| 31 | 9.1070.0018.4 | 2 | Ø6x40 DIN 1481 |
| 32 | 9.1070.0023.2 | 2 | Ø8x50 DIN 1481 |
| 33 | 9.1071.0037.1 | 1 | A10x8x80 DIN 6885 |
| 34 | 9.1071.0055.5 | 1 | A10x8x45 DIN 6885 |
| 35 | 9.1113.0143*2 | 2 | M10x150 931-8.8 |
| 36 | 9.1113.0292*4 | 2 | M10x160 931-8.8 |
| 37 | 9.1113.0341*1 | 20 | M8x20 DIN 933-10.9 |
| A | 9.1113.0341*1 | 21 | M8x20 DIN 933-10.9 |
| 38 | 9.1113.0360*1 | 1 | M12x50 DIN 933-10.9 |
| 39 | 9.1119.0019.5 | 3 | 35x2,50 DIN 471 |
| 40 | 9.1161.0014.0 | 1 | |
| 41 | 9.1030.0004*2 | (1) | M10 DIN 985-8 |
| 42 | A 4.1233.0668.0 | 1 | |
| 51 | 4.1201.2310.0 | (2) | |
| 52 | 9.1029.0004*3 | (2) | M8 DIN 934-8 |
| 53 | 9.1057.0003.2 | (2) | M8x20 DIN 912-8.8 |
| 61 | 9.1170.0200.2 | 1 | "LELY" |
| 62 | 9.1170.0407.6 | 1 | |
| 63 | 9.1170.0410.2 | 1 | |
| 64 | 9.1170.0419.4 | 1 | |
| 65 | 9.1170.0420.5 | 1 | |
| 66 | 9.1170.0524.4 | 1 | "240L" |
| | 9.1170.0525.5 | 1 | "280L" [x] |
| 67 | A 9.1170.0564.2 | 1 | "HD" |
| A | 9.1170.0604.0 | 1 | "PROFI" [x] |
| 68 | A 9.1170.0579.3 | 1 | "Max 75 kg - Max 750 kg" |
| 98 | 4.1203.0150.0 | (1) | 540 → 1000/min = REF. 3/1+17/1+29+41 |
| 99 | 4.1201.2300.0 | (1) | = REF. 51-53 |

LELY

SPLENDIMO L

| | type nummer type number numéro de type Typnummer | vanaf serienummer as from serial number après numéro de serie ab Seriennummer |
|-----|---|--|
| 320 | 4.1225.0020.1 | 3000751 |
| | 4.1225.0021.1 | 10805 - 0688 |
| | 4.1225.0022.1 | 3000000 |
| | 4.1225.0023.1 | 3008820 |
| | 4.1225.0024.1 | 3000000 |



E107-01-03

| REF. | ONDERDEELNR. PART NUMBER REFERENCE TEILNUMMER | AANTAL QUANTITY QUANTITE ANZAHL | |
|------|--|--|--|
|------|--|--|--|

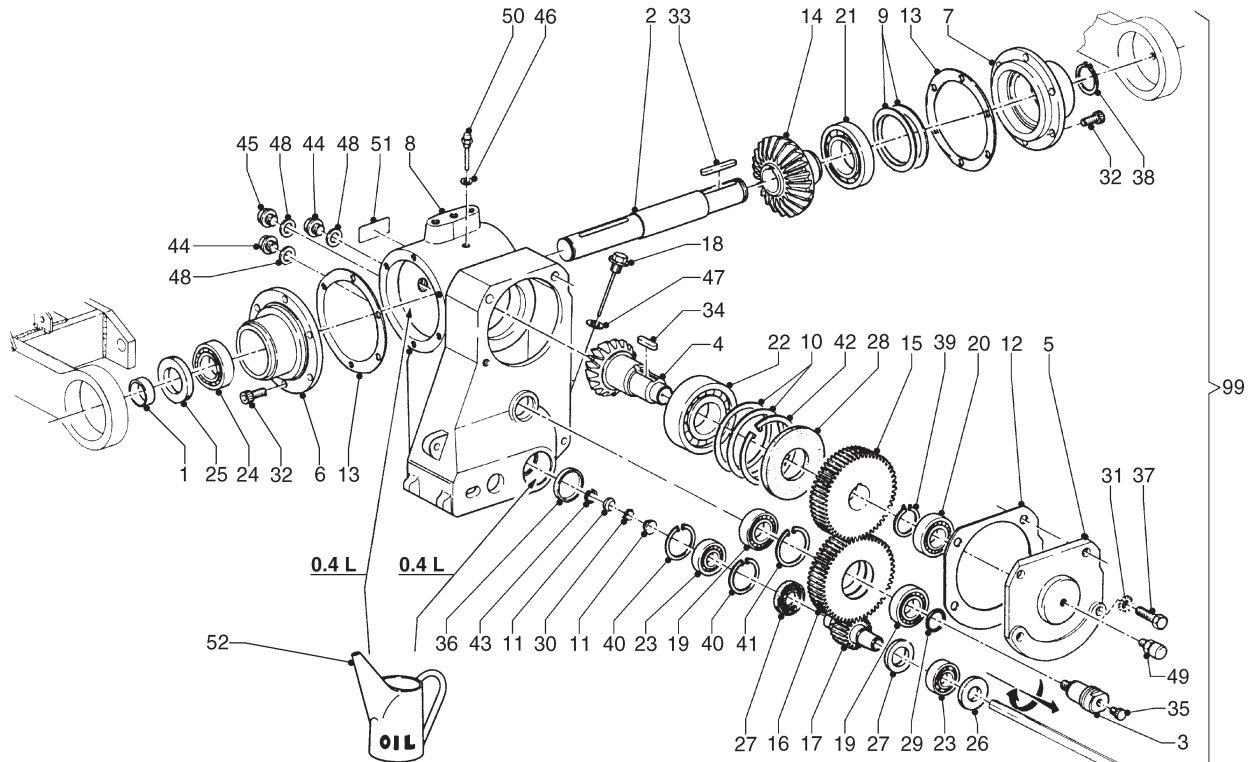
| | | | |
|----|---------------|-----|------------------------|
| 1 | 4.1201.0498.0 | 1 | |
| 2 | 4.1201.1471.0 | 1 | |
| 3 | 4.1225.0319.0 | 1 | |
| 4 | 4.1207.0623.0 | 1 | |
| 5 | 4.1225.1487.0 | 1 | |
| 6 | 4.1225.0511.0 | 2 | |
| 7 | 4.1210.1488.0 | 1 | |
| 8 | 4.1225.0420.0 | 1 | |
| 9 | 4.1225.1494.0 | 1 | |
| 10 | 4.1225.0290.0 | 1 | |
| 11 | 4.1225.1497.0 | 4 | L= 127mm |
| 12 | 4.1225.1484.0 | 1 | |
| 13 | 4.1225.1482.0 | 1 | L= 18,5mm |
| 14 | 4.1225.1481.0 | 1 | L= 25,5mm |
| 15 | 4.1251.1483.0 | 1 | L= 50mm |
| 16 | 9.1001.0087.2 | 2 | 6207 2RS1-C3 |
| 17 | 9.1075.0025.6 | 5 | SPB Lw= 2650 |
| | 9.1075.0003.5 | (5) | SPB Lw= 2650 SC [x] |
| 18 | 9.1075.0109.6 | 1 | 180SPB5 |
| 19 | 9.1029.0005*4 | 4 | M10 DIN 934-8 |
| 20 | 9.1029.0008*0 | 1 | M12 DIN 934-8 |
| 21 | 9.1030.0004*2 | 4 | M10 DIN 985-8 |
| 22 | 9.1038.0006*3 | 1 | M12x48 DIN 71752 |
| 23 | 9.1048.0012*6 | 1 | A13 DIN 125 [—] |
| 24 | 9.1048.0041*0 | 1 | A13 DIN 9021 [—] |
| 25 | 9.1048.0067.5 | 4 | A13 DIN 9021 Nylon [—] |

| REF. | ONDERDEELNR. PART NUMBER REFERENCE TEILNUMMER | AANTAL QUANTITY QUANTITE ANZAHL | |
|------|--|--|--|
|------|--|--|--|

| | | | |
|----|---------------|-----|----------------------|
| 26 | 9.1049.0018.4 | 12 | Nylon [—] |
| 27 | 9.1051.0001.6 | 20 | A8,2 DIN 6798 [####] |
| 28 | 9.1052.0006*3 | 3 | 35x45x2,5 DIN 988 |
| 29 | 9.1066.0010*0 | 1 | Ø70-90 |
| 30 | 9.1070.0018.4 | 2 | Ø6x40 DIN 1481 |
| 31 | 9.1070.0023.2 | 2 | Ø8x50 DIN 1481 |
| 32 | 9.1071.0037.1 | 1 | A10x8x80 DIN 6885 |
| 33 | 9.1071.0055.5 | 1 | A10x8x45 DIN 6885 |
| 34 | 9.1113.0293*5 | 4 | M10x170 DIN 931-8.8 |
| 35 | 9.1113.0341*1 | 20 | M8x20 DIN 933-10.9 |
| 36 | 9.1113.0360*1 | 1 | M12x50 DIN 933-10.9 |
| 37 | 9.1119.0019.5 | 3 | 35x2,50 DIN 471 |
| 38 | 9.1161.0014.0 | 1 | |
| 51 | 4.1201.2310.0 | (2) | |
| 52 | 9.1029.0004*3 | (2) | M8 DIN 934-8 |
| 53 | 9.1057.0003.2 | (2) | M8x20 DIN 912-8.8 |
| 61 | 9.1170.0200.2 | 1 | "LELY" |
| 62 | 9.1170.0407.6 | 1 | |
| 63 | 9.1170.0410.2 | 1 | |
| 64 | 9.1170.0419.4 | 1 | |
| 65 | 9.1170.0420.5 | 1 | |
| 66 | 9.1170.0526.6 | 1 | "320L" |
| 99 | 4.1201.2300.0 | (1) | = REF. 51-53 |

LELY

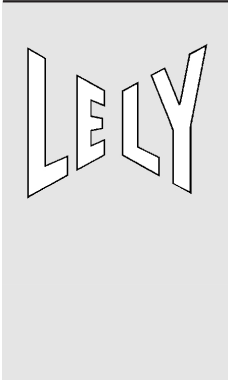
| SPLENDIMO L | type number type number número de type Typnummer | vanaf serienummer as from serial number après numéro de serie ab Seriennummer | SPLENDIMO L | type number type number número de type Typnummer | vanaf serienummer as from serial number après numéro de serie ab Seriennummer |
|-------------|---|--|---------------|---|--|
| 165 | 4.1257.0000.1 | 10711 - 0507 | 240 | 4.1230.0014.1 | 3000915 |
| | 4.1257.0001.1 | 3000292 | | 4.1230.0015.1 | 10703 - 0501 |
| | 4.1257.0002.1 | 3007897 | | 4.1230.0016.1 | 3008111 |
| | 4.1257.0003.1 | 3000000 | | 4.1230.0017.1 | 3000000 |
| 205 | 4.1233.0010.1 | 10804 - 0535 | 240 HD | 4.1230.0018.1 | 3000000 |
| | 4.1233.0011.1 | 10804 - 0553 | 240 HD | 4.1230.0030.1 | 3010172 |
| | 4.1233.0012.1 | 10804 - 0535 | 280 | 4.1229.0010.1 | 3001230 |
| | 4.1233.0013.1 | 10709 - 0526 | | 4.1229.0011.1 | 10803 - 0702 |
| | 4.1233.0014.1 | 10806 - 0511 | 4.1229.0012.1 | 3000000 | |
| | 4.1233.0015.1 | 10703 - 0501 | 4.1229.0013.1 | 3000000 | |
| 205 HD | 4.1233.0016.1 | 3007932 | 4.1229.0014.1 | 10703 - 0501 | |
| | 4.1233.0017.1 | 3008081 | 4.1229.0015.1 | 3008250 | |
| 205 HD | 4.1233.0030.1 | 3003491 | 4.1229.0016.1 | 3000000 | |
| | 4.1233.0031.1 | 3010642 | 320 | 4.1225.0020.1 | 3000751 |
| 240 | 4.1230.0009.1 | 3000000 | | 4.1225.0021.1 | 10805 - 0688 |
| | 4.1230.0011.1 | 10804 - 0546 | | 4.1225.0022.1 | 3000000 |
| | 4.1230.0012.1 | 10806 - 0834 | | 4.1225.0023.1 | 3008820 |
| | 4.1230.0013.1 | 3000000 | | 4.1225.0024.1 | 3000000 |



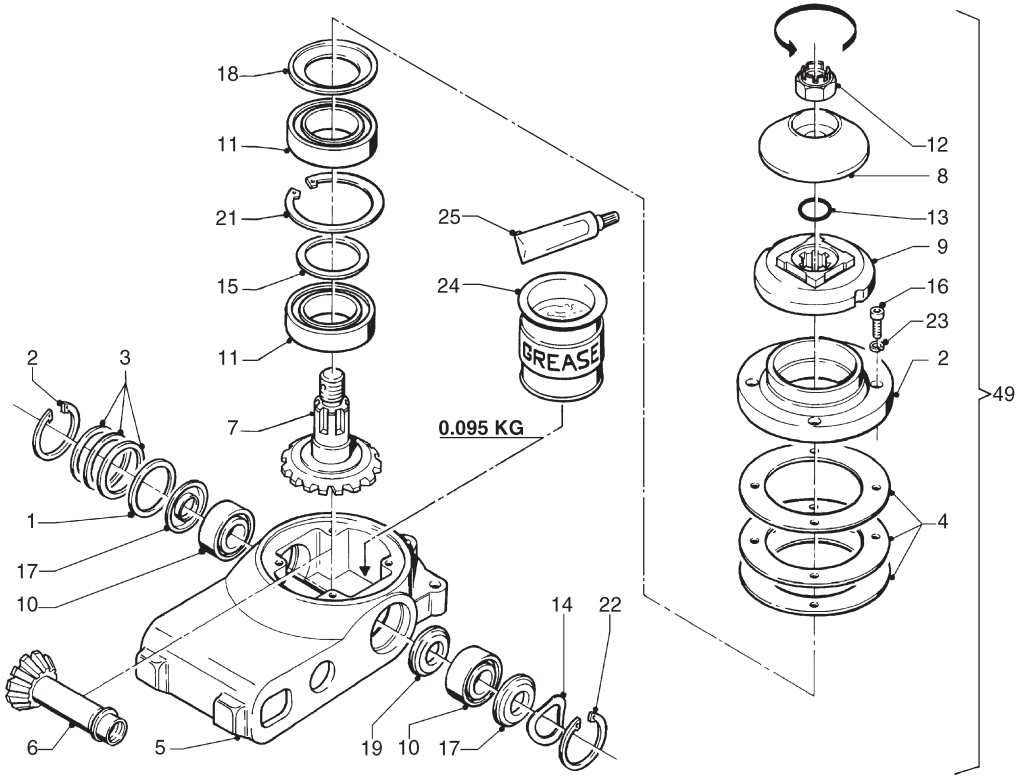
E078-05-12

| REF. | ONDERDEELNR. PART NUMBER REFERENCE TEILNUMMER | AANTAL QUANTITY QUANTITE ANZAHL | | |
|------|--|--|--|-------|
| 1 | 4.1220.0122.0 | 1 | | |
| 2 | 4.1225.0135.0 | 1 | | |
| 3 | 4.1225.0136.0 | 1 | | |
| 4 | 4.1225.0137.0 | 1 | M14-L | |
| 5 | 4.1225.0138.0 | 1 | | |
| 6 | 4.1225.0139.0 | 1 | | |
| 7 | 4.1225.0140.0 | 1 | | |
| 8 | 4.1225.0141.0 | 1 | | |
| 9 | 4.1225.0142.0 | (1) | [D+D] | [] |
| 10 | 4.1225.0143.0 | (1) | [D+D] | [] |
| 11 | 4.1225.0144.0 | 2 | | |
| 12 | 4.1225.0145.0 | 1 | | |
| 13 | 4.1225.0148.0 | 2 | 0,5 mm | |
| 14 | 4.1225.0151.0 | 1 | Z= 23 | |
| 15 | 4.1225.0153.0 | 1 | Z= 53 | |
| 16 | 4.1225.0154.0 | 1 | Z= 53 | |
| 17 | 4.1225.0155.0 | 1 | Z= 18 | |
| 18 | 4.1225.0231.0 | 1 | | |
| 19 | 9.1001.0063.6 | 2 | 6305 C4 | |
| 20 | 9.1001.0107.1 | 1 | 6207 C3 | |
| 21 | 9.1001.0114.1 | 1 | 6211 C3 | |
| 22 | 9.1001.0127.0 | 1 | 6212 C3 | |
| 23 | 9.1001.0129.2 # | 2 (10gr+20gr) | 6205 C5 Unirex N3 ESSO (0,4 kg= 9.1171.0050.5) | |
| 24 | 9.1001.0130.3 | 1 | 6207 ETN9-C3 | |
| 25 | 9.1042.0066.3 | 1 | 40x72x10 CC NBR | [> <] |
| 26 | 9.1042.0074.4 | 1 | 25x52x7 CB | [> <] |
| 27 | 9.1042.0075.5 | 2 | 30x52x7 CB | [> <] |
| 28 | 9.1042.0080.3 | 1 | 60x110x13 CB | [> <] |

| REF. | ONDERDEELNR. PART NUMBER REFERENCE TEILNUMMER | AANTAL QUANTITY QUANTITE ANZAHL | | |
|------|--|--|-------------------------|---------|
| 29 | 9.1043.0044.1 | 1 | Ø29,2x3,0 | |
| 30 | 9.1043.0045.2 | 1 | Ø14x2,0 | |
| 31 | 9.1051.0005*3 | 2 | A14,5 DIN 6798 | [#####] |
| 32 | 9.1057.0010.2 | 12 | M10x25 DIN 912-12.9 | |
| 33 | 9.1071.0021.6 | 1 | A10x8x63 DIN 6885 | |
| 34 | 9.1071.0049.6 | 1 | B12x8x30 DIN 6885 | |
| 35 | 9.1108.0034.3 | 1 | G1/8" | |
| 36 | 9.1108.0079.0 | 1 | Ø52x6,5 | |
| 37 | 9.1113.0142*1 | 2 | M14x40 DIN 933-8.8 | |
| 38 | 9.1119.0019.5 | 1 | 35x2,50 DIN 471 | |
| 39 | 9.1119.0020.6 | 1 | 42x1,75 DIN 471 | |
| 40 | 9.1120.0003.2 | 2 | 52x2,00 DIN 472 | |
| 41 | 9.1120.0005.4 | 1 | 62x2,00 DIN 472 | |
| 42 | 9.1120.0016.1 | 1 | 110x4,00 DIN 472 | |
| 43 | 9.1120.0028.6 | 1 | 18x1,00 DIN 472 | |
| 44 | 9.1131.0013.1 | 2 | R1/2" DIN 910 | |
| 45 | 9.1137.0012.0 | 1 | R1/2" DIN 910 | |
| 46 | 9.1137.0401.5 | 1 | Ø14x20x1,5 Cu | [] |
| 47 | 9.1137.0406.3 | 1 | Ø12,5x19x1,5 Cu | [] |
| 48 | 9.1137.0411.1 | 3 | NBR-2C 21,54x28,58x2,34 | |
| 49 | 9.1150.0011.1 | 1 | G1/4" | |
| 50 | 9.1150.0018.1 | 1 | G1/4" | |
| 51 | 9.1170.0352.0 | 1 | "ESSO GX85W-140" | |
| 52 | 9.1171.0042.4 | (0,4+0,4L) | 1L GX85W-140 | |
| 99 | 4.1225.0111.2 | 1 | = REF. 1-52 | |



| SPLENDIMO L | type number type number numéro de type Typnummer | vanaf serienummer as from serial number après numéro de serie ab Seriennummer | SPLENDIMO L | type number type number numéro de type Typnummer | vanaf serienummer as from serial number après numéro de serie ab Seriennummer |
|-------------|---|--|---------------|---|--|
| 165 | 4.1257.0000.1 | 10711 - 0507 | 240 | 4.1230.0014.1 | 3000915 |
| | 4.1257.0001.1 | 3000292 | | 4.1230.0015.1 | 10703 - 0501 |
| | 4.1257.0002.1 | 3007897 | | 4.1230.0016.1 | 3008111 |
| 205 | 4.1257.0003.1 | 3000000 | 240 HD | 4.1230.0017.1 | 3000000 |
| | 4.1233.0010.1 | 10804 - 0535 | 240 HD | 4.1230.0018.1 | 3000000 |
| | 4.1233.0011.1 | 10804 - 0553 | 280 | 4.1230.0030.1 | 3010172 |
| | 4.1233.0012.1 | 10804 - 0535 | | 4.1229.0010.1 | 3001230 |
| | 4.1233.0013.1 | 10709 - 0526 | 4.1229.0011.1 | 10803 - 0702 | |
| | 4.1233.0014.1 | 10806 - 0511 | 4.1229.0012.1 | 3000000 | |
| 205 HD | 4.1233.0015.1 | 10703 - 0501 | 320 | 4.1229.0013.1 | 3000000 |
| | 4.1233.0016.1 | 3007932 | | 4.1229.0014.1 | 10703 - 0501 |
| | 4.1233.0017.1 | 3008081 | | 4.1229.0015.1 | 3008250 |
| 205 HD | 4.1233.0030.1 | 3003491 | 320 | 4.1229.0016.1 | 3000000 |
| | 4.1233.0031.1 | 3010642 | | 4.1225.0020.1 | 3000751 |
| 240 | 4.1230.0009.1 | 3000000 | | 4.1225.0021.1 | 10805 - 0688 |
| | 4.1230.0011.1 | 10804 - 0546 | | 4.1225.0022.1 | 3000000 |
| | 4.1230.0012.1 | 10806 - 0834 | | 4.1225.0023.1 | 3008820 |
| | 4.1230.0013.1 | 3000000 | | 4.1225.0024.1 | 3000000 |



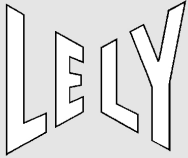
E063-05-02

| REF. | ONDERDEELNR. PART NUMBER REFERENCE TEILNUMMER | AANTAL QUANTITY QUANTITE ANZAHL |
|------|--|--|
|------|--|--|

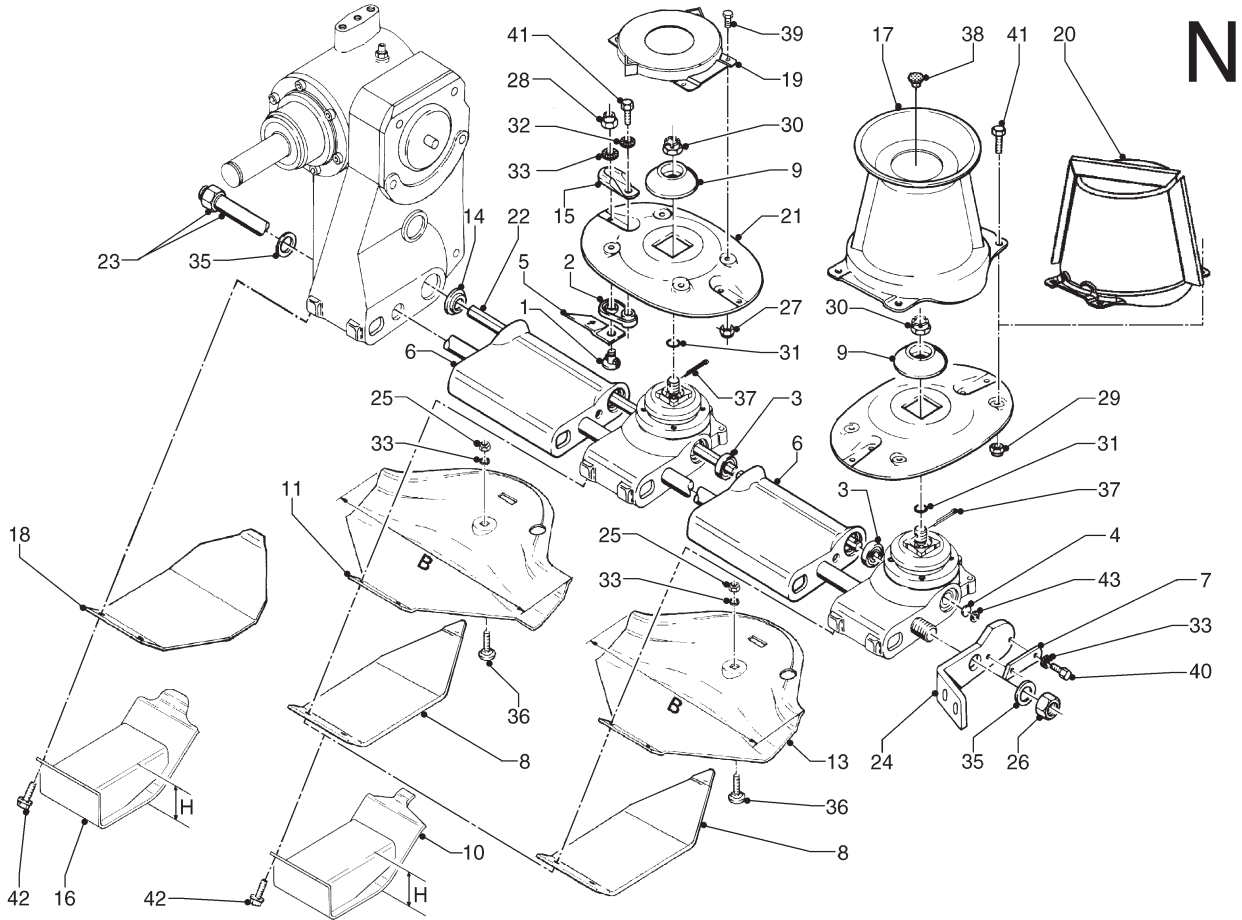
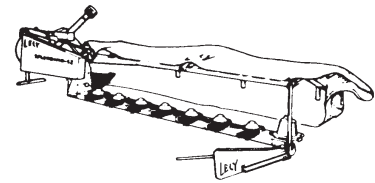
| | | |
|----|-----------------------------|------------|
| 1 | 4.1201.0061.0 | 1 |
| 2 | 4.1220.0061.0 | 1 |
| 3 | 4.1220.0078.0 | (1) |
| 4 | 4.1220.0079.0 | (1) |
| 5 | 4.1220.0287.0 | 1 |
| 6 | 4.1220.0288.0 | 1 |
| 7 | 4.1220.0289.0 | 1 |
| 8 | 4.1220.1467.0 | 1 |
| 9 | 4.1225.0189.0 | 1 |
| 10 | 9.1001.0064.0 | 2 |
| | 6005 2RS1-C4 | |
| 11 | 9.1001.0065.1 | 2 |
| | 6009 2RS1-C5L | |
| 12 | 9.1031.0014.4 | 1 |
| | M22x1,5 DIN 937-22H | |
| 13 | 9.1043.0061.4 | 1 |
| | Ø23x2 | |
| 14 | 9.1049.0013.6 | 1 |
| | 46,5x40-G 6005 | |
| 15 | 9.1052.0004.1 | 1 |
| | 45x55x3 DIN 988 | |
| 16 | 9.1057.0089.4 | 4 |
| | M8x25 DIN 912-12.9 | |
| 17 | 9.1107.0007.5 | 2 |
| | 6005 ZJV | |
| 18 | 9.1107.0008.6 | 1 |
| | 6009 ZAV | |
| 19 | 9.1107.0014.5 | 1 |
| | 6005 ZAV | |
| 20 | 9.1120.0002.1 | 1 |
| | 47x1,75 DIN 472 | |
| 21 | 9.1120.0026.4 | 1 |
| | 75x3,00 DIN 472 | |
| 22 | 9.1120.0027.5 | 1 |
| | 47x1,75 V | |
| 23 | 9.1121.0024*1 | 4 |
| | 8 DIN 7980 | [—/—] |
| 24 | 9.1171.0039.1 | (0,095 kg) |
| | 1 kg ALVANIA WR-0 SHELL | |
| | 9.1171.0040.2 | (0,095 kg) |
| | 5 kg ALVANIA WR-0 SHELL | |
| 25 | 9.1171.0038.0 | 1 |
| | 0,095 kg ALVANIA WR-0 SHELL | |

| REF. | ONDERDEELNR. PART NUMBER REFERENCE TEILNUMMER | AANTAL QUANTITY QUANTITE ANZAHL |
|------|--|--|
|------|--|--|

| | 165 | 205 | 240 | 280 | 320 | |
|----|---------------|-----|-----|-----|-----|-----------------------|
| 49 | 4.1220.0290.1 | 2 | 2 | 3 | 3 | 4 = REF. 1-23 [LD] |
| | 4.1220.0270.1 | 2 | 3 | 3 | 4 | 4 = REF. 1-23 [RD][x] |



| SPLENDIMO L | type number type number número de type Typnummer | vanaf serienummer as from serial number après numéro de serie ab Seriennummer |
|-------------|---|--|
| 165 | 4.1257.0002.1 | 3007897 |
| E | 4.1257.0003.1 | 3000000 |
| 205 B/C | 4.1233.0016.1 | 3007932 |
| 205 HD A/C | 4.1233.0017.1 | 3008081 |
| 205 HD D | 4.1233.0031.1 | 3010642 |



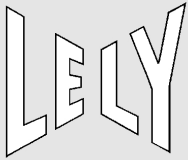
E087-03-04

| REF. | ONDERDEELNR. PART NUMBER REFERENCE TEILNUMMER | AANTAL QUANTITY QUANTITE ANZAHL | 205 | 205 HD |
|------|--|--|-----|--------|
|------|--|--|-----|--------|

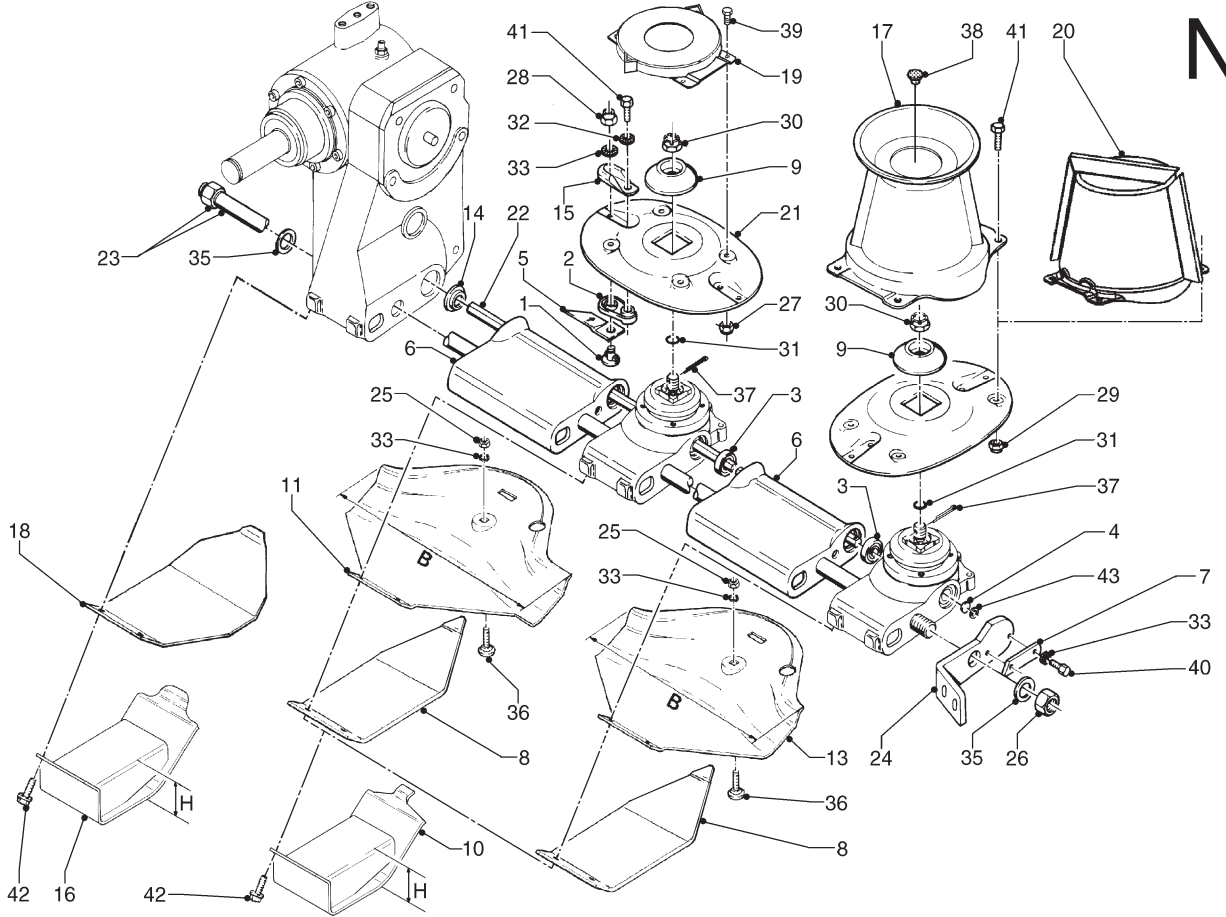
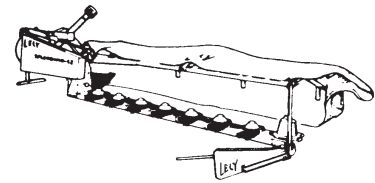
| REF. | ONDERDEELNR. PART NUMBER REFERENCE TEILNUMMER | AANTAL QUANTITY QUANTITE ANZAHL | 205 | 205 HD |
|------|--|--|-------|------------------|
| 1 | 4.1201.0141.0 | 8 | 10 | 10 |
| 2 | 4.1201.0142.0 | 8 | 10 | 10 |
| 3 | 4.1201.0145.0 | 7 | 9 | 9 |
| 4 | 4.1201.0329.0 | 1 | - | - |
| | 4.1225.0108.0 | - | 1 | 1 |
| | | | | L= 5mm |
| | | | | L= 18mm |
| 5 | 4.1201.1474.0 | 4 | 6 | 6 |
| | 4.1201.1473.0 | 4 | 4 | 4 |
| | | | | L= 120mm [RD] |
| | | | | L= 120mm [LD] |
| 6 | 4.1220.0033.0 | 4 | 4 | 4 |
| | 4.1229.0109.0 | - | 1 | 1 |
| | 4.1220.0034.0 | 1 | 1 | 1 |
| 8 | A 4.1220.1329.0 | (4) | (5) | - |
| | A 4.1220.1911.0 | (4) | (5) | 5 |
| | B 4.1220.1329.0 | - | 5 | - |
| | B 4.1220.1911.0 | - | (5) | - |
| | | | | 4mm |
| | | | | 8mm |
| | | | | 4mm |
| | | | | 8mm |
| 9 | 4.1220.1467.0 | 4 | 5 | 5 |
| | 4.1220.1930Z0 | (2-4) | (3-5) | (3-5) |
| | 4.1220.1961.0 | 1 | 2 | 2 |
| | | | | = REF. 8 Pag. 05 |
| | | | | H= 75mm |
| | | | | B= 378mm |
| 13 | 4.1220.1963.0 | 3 | 3 | 3 |
| 14 | 4.1225.0109.0 | 1 | 1 | 1 |
| 15 | 4.1225.0449.0 | 8 | 10 | 10 |
| D | 4.1230.1497.0 | - | - | (10) |
| 16 | 4.1225.0670Z0 | (1) | (1) | (1) |
| | | | | H= 75mm |
| 17 | 4.1225.0480.0 | 1 | 1 | 1 |
| 18 | B 4.1225.0569.0 | 1 | 1 | (1) |
| | A 4.1225.0569.0 | - | (1) | - |
| | 4.1225.0689.0 | (1) | (1) | 1 |
| | | | | 4mm |
| | | | | 4mm |
| | | | | 8mm |

| REF. | ONDERDEELNR. PART NUMBER REFERENCE TEILNUMMER | AANTAL QUANTITY QUANTITE ANZAHL | 205 | 205 HD |
|------|--|--|-----|--------|
|------|--|--|-----|--------|

| REF. | ONDERDEELNR. PART NUMBER REFERENCE TEILNUMMER | AANTAL QUANTITY QUANTITE ANZAHL | 205 | 205 HD |
|------|--|--|------|--------------------|
| 19 | 4.1225.0620.0 | (3) | (4) | (4) |
| 20 | 4.1225.0640.0 | (1) | (1) | (1) |
| E | 4.1225.0640.0 | 1 | - | - |
| 21 | 4.1225.1489.0 | 4 | 5 | 5 |
| 22 | 4.1257.1480.0 | 1 | - | - |
| | 4.1233.0129.0 | - | 1 | 1 |
| C | 4.1233.0648.0 | - | - | 1 |
| D | 4.1233.0649.0 | - | - | 2 |
| | | | | L= 1585mm |
| | | | | L= 1992mm |
| | | | | L= 408mm |
| | | | | L= 792mm |
| 23 | 4.1257.0110.0 | 1 | - | - |
| | 4.1233.0111.0 | - | 1 | 1 |
| 24 | 4.1273.0150.0 | 1 | 1 | 1 |
| 25 | 9.1029.0005*4 | 4 | 5 | 5 |
| 26 | 9.1029.0024.2 | 1 | 1 | 1 |
| | | | | M10 DIN 934-8 |
| | | | | M30x1,5 DIN 934-10 |
| 27 | 9.1030.0012*3 | (12) | (16) | (16) |
| 28 | 9.1030.0018*2 | 8 | 10 | 10 |
| 29 | 9.1030.0040*3 | 4 | 4 | 4 |
| 30 | 9.1031.0014.4 | 4 | 5 | 5 |
| 31 | 9.1043.0061.4 | 4 | 5 | 5 |
| | | | | M8 DIN 985-8 |
| | | | | M10 DIN 985-10 |
| | | | | M8 DIN 985-10 |
| | | | | = REF. 12 Pag. 05 |
| | | | | = REF. 13 Pag. 05 |
| 32 | 9.1051.0001.6 | 8 | 10 | 10 |
| 33 | 9.1051.0002.0 | 14 | 17 | 17 |
| | | | | A8,2 DIN 6798 |
| | | | | A10,5 DIN 6798 |
| 35 | 9.1052.0011.1 | 2 | 2 | 2 |
| 36 | 9.1058.0015*6 | 4 | 5 | 5 |
| | | | | 30x42x2,5 DIN 988 |
| | | | | M10x35 DIN 603-8.8 |
| 37 | 9.1072.0030.0 | 4 | 5 | 5 |
| 38 | 9.1108.0063.5 | 1 | 1 | 1 |
| 39 | 9.1113.0014*6 | (12) | (16) | (16) |
| 40 | 9.1113.0027*5 | 2 | 2 | 2 |
| 41 | 9.1113.0341*3 | 12 | 14 | 14 |
| | | | | 3,2x36 DIN 94 |
| | | | | Ø9,3 |
| | | | | M8x20 DIN 933-8.8 |
| | | | | M10x20 DIN 933-8.8 |
| | | | | M8x20 DIN 933-10.9 |
| 42 | 9.1114.0009*0 | 8 | 10 | 10 |
| 43 | 9.1120.0028.6 | 1 | 1 | 1 |
| | | | | M10x30 8.8 |
| | | | | 18x1,00 DIN 472 |



| SPLENDIMO L | | type nummer type number número de type Typnummer | vanaf serienummer as from serial number après numéro de serie ab Seriennummer |
|-------------|---|---|--|
| 240 | C | 4.1230.0016.1 | 3008111 |
| 240 HD | A | 4.1230.0017.1 | 3000000 |
| | D | 4.1230.0018.1 | 3000000 |
| 240 HD | B | 4.1230.0030.1 | 3010172 |
| 280 | | 4.1229.0015.1 | 3008250 |
| | D | 4.1229.0016.1 | 3000000 |
| 320 | | 4.1225.0023.1 | 3008820 |
| | D | 4.1225.0024.1 | 3000000 |



E087-03-04

| REF. | ONDERDEELNR. PART NUMBER REFERENCE TEILNUMMER | AANTAL QUANTITY QUANTITE ANZAHL |
|------|--|--|
|------|--|--|

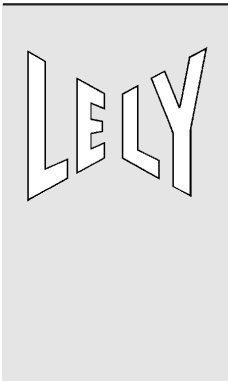
240 280 320

| | | |
|----|-------------------|------------------|
| 1 | 4.1201.0141.0 | 12 14 16 |
| 2 | 4.1201.0142.0 | 12 14 16 |
| 3 | 4.1201.0145.0 | 11 13 15 |
| 4 | 4.1201.0329.0 | 1 - - |
| | 4.1225.0108.0 | 1 1 1 |
| | | L= 5mm |
| | | L= 18mm |
| 5 | 4.1201.1474.0 | 6 8 8 |
| | 4.1201.1473.0 | 6 6 8 |
| 6 | 4.1220.0033.0 | 6 6 8 |
| | 4.1229.0109.0 | - 1 - |
| | 4.1220.0034.0 | 1 1 1 |
| 8 | C 4.1220.1329.0 | (6) (7) (8) |
| | C 4.1220.1911.0 | (6) (7) (8) |
| | A/B 4.1220.1911.0 | 6 - - |
| 9 | 4.1220.1467.0 | 6 7 8 |
| 10 | 4.1220.1930Z0 | (3-6)(4-7)(4-8) |
| 11 | 4.1220.1961.0 | 1 2 1 |
| | | = REF. 8 Pag. 05 |
| 13 | 4.1220.1963.0 | 5 5 7 |
| 14 | 4.1225.0109.0 | 1 1 1 |
| | | B= 378mm |
| 15 | 4.1225.0449.0 | 12 14 16 |
| | B 4.1230.1497.0 | (12) - - |
| 16 | 4.1225.0670Z0 | (1) (1) (1) |
| 17 | 4.1225.0480.0 | 1 1 1 |
| | | H= 75mm |
| 18 | C 4.1225.0569.0 | 1 1 1 |
| | A 4.1225.0569.0 | (1) - - |
| | A/B 4.1225.0689.0 | 1 (1) (1) |
| | C 4.1225.0689.0 | (1) - - |
| | | 4mm |
| | | 4mm |
| | | 8mm |
| | | 8mm |
| 19 | 4.1225.0620.0 | (4) (6) - |
| 20 | 4.1225.0640.0 | (1) 1 (1) |
| | D 4.1225.0640.0 | 1 - - |
| | | - - - |
| 21 | 4.1225.1489.0 | 6 7 8 |

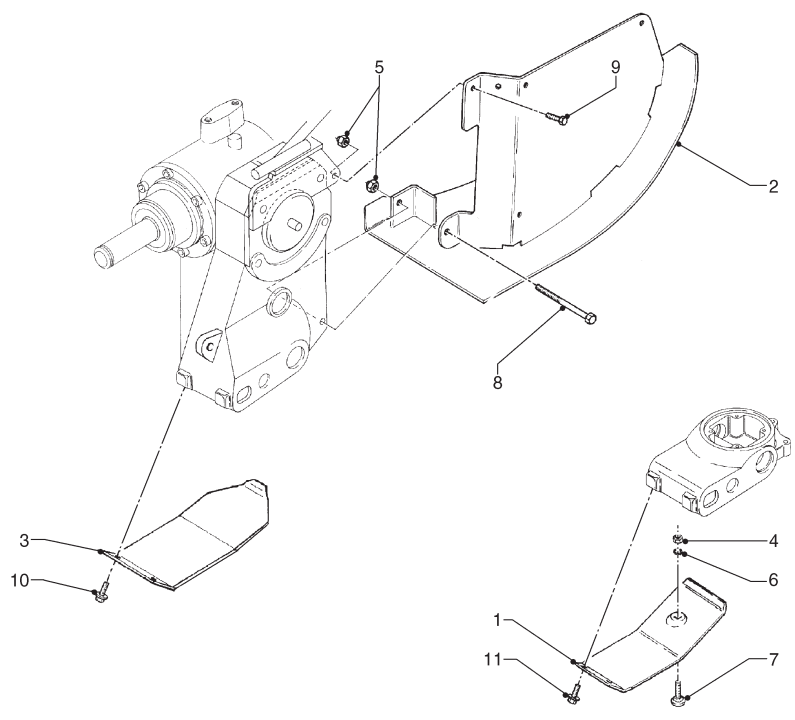
| REF. | ONDERDEELNR. PART NUMBER REFERENCE TEILNUMMER | AANTAL QUANTITY QUANTITE ANZAHL |
|------|--|--|
|------|--|--|

240 280 320

| | | | | |
|----|---------------|-------------|--------------------|--------|
| 22 | 4.1230.0129.0 | 1 - - | L= 2349mm | |
| | 4.1229.0148.0 | - 1 - | L= 1203mm | [x] |
| | 4.1225.0179.0 | - 1 2 | L= 1547mm | [x] |
| A | 4.1249.0209.0 | 2 - - | L= 1168 mm | [x] |
| B | 4.1230.0128.0 | 1 - - | L= 1136 mm | [x] |
| B | 4.1233.0648.0 | 1 - - | L= 408 mm | [x] |
| B | 4.1233.0649.0 | 1 - - | L= 792 mm | [x] |
| 23 | 4.1240.0120.0 | 1 - - | | [x] |
| | 4.1242.0120.0 | - 1 - | | [x] |
| | 4.1225.0161.0 | - 1 1 | | |
| 24 | 4.1273.0150.0 | 1 1 1 | | |
| 25 | 9.1029.0005*4 | 6 7 8 | M10 DIN 934-8 | |
| 26 | 9.1029.0024.2 | 1 1 1 | M30x1,5 DIN 934-10 | |
| 27 | 9.1030.0012*3 | (16) (24) - | M8 DIN 985-8 | |
| 28 | 9.1030.0018*2 | 12 14 16 | M10 DIN 985-10 | |
| 29 | 9.1030.0040*3 | 4 4 4 | M8 DIN 985-10 | |
| 30 | 9.1031.0014.4 | 6 7 8 | = REF. 12 Pag. 05 | |
| 31 | 9.1043.0061.4 | 6 7 8 | = REF. 13 Pag. 05 | |
| 32 | 9.1051.0001.6 | 12 14 16 | A8,2 DIN 6798 | [####] |
| 33 | 9.1051.0002.0 | 20 23 26 | A10,5 DIN 6798 | [####] |
| 35 | 9.1052.0011.1 | 2 2 2 | 30x42x2,5 DIN 988 | [—] |
| 36 | 9.1058.0015*6 | 6 7 8 | M10x35 DIN 603-8.8 | |
| 37 | 9.1072.0030.0 | 6 7 8 | 3,2x36 DIN 94 | |
| 38 | 9.1108.0063.5 | 1 1 1 | Ø9,3 | |
| 39 | 9.1113.0014*6 | (16) (24) - | M8x20 DIN 933-8.8 | |
| 40 | 9.1113.0027*5 | 2 2 2 | M10x20 DIN 933-8.8 | |
| 41 | 9.1113.0341*3 | 16 18 20 | M8x20 DIN 933-10.9 | |
| 42 | 9.1114.0009*0 | 12 14 16 | M10x30 8.8 | |
| 43 | 9.1120.0028.6 | 1 1 1 | 18x1,00 DIN 472 | |



| SPLENDIMO L | type number type number numéro de type Typnummer | vanaf serienummer as from serial number après numéro de serie ab Seriennummer | SPLENDIMO L | type number type number numéro de type Typnummer | vanaf serienummer as from serial number après numéro de serie ab Seriennummer |
|---------------|---|--|---------------|---|--|
| 165 | 4.1257.0000.1 | 10711 0507 | 240 | 4.1230.0014.1 | 3000915 |
| | 4.1257.0001.1 | 3000292 | | 4.1230.0015.1 | 3000000 |
| | 4.1257.0002.1 | 3007897 | | 4.1230.0016.1 | 3008111 |
| 205 | 4.1257.0003.1 | 3000000 | 240 HD | 4.1230.0017.1 | 3000000 |
| | 4.1233.0010.1 | 10804 - 0535 | 240 HD | 4.1230.0018.1 | 3000000 |
| | 4.1233.0011.1 | 10804 - 0533 | 280 | 4.1230.0030.1 | 3010172 |
| | 4.1233.0012.1 | 10804 - 0535 | | 4.1229.0010.1 | 3001230 |
| | 4.1233.0013.1 | 3000000 | 4.1229.0011.1 | 10803 - 0702 | |
| | 4.1233.0014.1 | 10806 - 0511 | 4.1229.0012.1 | 3000000 | |
| 4.1233.0015.1 | 3000000 | 4.1229.0013.1 | 3000000 | | |
| 205 HB | 4.1233.0016.1 | 3007932 | 280 | 4.1229.0014.1 | 3000000 |
| | 4.1233.0017.1 | 3008081 | | 4.1229.0015.1 | 3008250 |
| | 4.1233.0030.1 | 3003491 | | 4.1229.0016.1 | 3000000 |
| 205 HB | 4.1233.0031.1 | 3010642 | 320 | 4.1225.0020.1 | 3000751 |
| | 4.1230.0009.1 | 3000000 | | 4.1225.0021.1 | 10805 - 0688 |
| 240 | 4.1230.0011.1 | 10804 - 0546 | 4.1225.0022.1 | 3000000 | |
| | 4.1230.0012.1 | 10806 - 0834 | 4.1225.0023.1 | 3008820 | |
| | 4.1230.0013.1 | 3000000 | 4.1225.0024.1 | 3000000 | |
| | | | | | |



E083-04-03

| REF. | ONDERDEELNR. PART NUMBER REFERENCE TEILNUMMER | AANTAL QUANTITY QUANTITE ANZAHL |
|------|--|--|
|------|--|--|

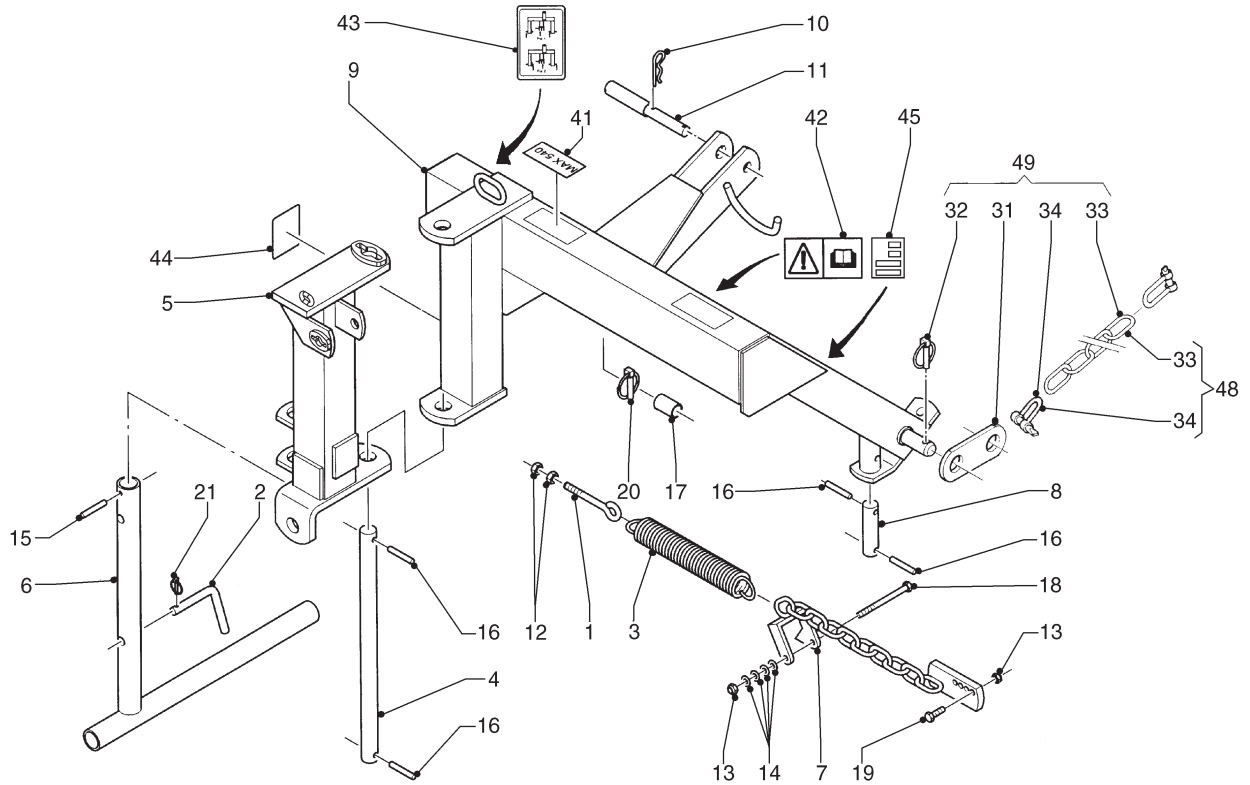
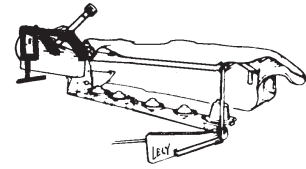
| | | 205 | | | |
|----|---------------|-----|--------|---|--------------------|
| | | 165 | 205 HD | | |
| 1 | 4.1220.1962.0 | (4) | (5) | - | 4mm |
| 2 | 4.1225.0251.0 | 1 | 1 | 1 | |
| 3 | 4.1225.0509.0 | (1) | (1) | - | 4mm |
| 4 | 9.1029.0005*4 | (4) | (5) | - | |
| 5 | 9.1030.0004*2 | 2 | 2 | 2 | |
| 6 | 9.1051.0002.0 | (4) | (5) | - | |
| 7 | 9.1058.0015*6 | (4) | (5) | - | M10x35 DIN 603-8.8 |
| 8 | 9.1113.0043*0 | 1 | 1 | 1 | |
| 9 | 9.1113.0120*0 | 1 | 1 | 1 | |
| 10 | 9.1114.0009*0 | (2) | (2) | - | |
| 11 | 9.1114.0009*0 | (8) | (10) | - | |

| REF. | ONDERDEELNR. PART NUMBER REFERENCE TEILNUMMER | AANTAL QUANTITY QUANTITE ANZAHL |
|------|--|--|
|------|--|--|

| | | 240 | | 320 | |
|----|---------------|------|------|------|--------------------|
| | | 280 | | | |
| 1 | 4.1220.1962.0 | (6) | (7) | (8) | 4mm |
| 2 | 4.1225.0251.0 | 1 | 1 | 1 | |
| 3 | 4.1225.0509.0 | (1) | (1) | (1) | 4mm |
| 4 | 9.1029.0005*4 | (6) | (7) | (8) | |
| 5 | 9.1030.0004*2 | 2 | 2 | 2 | |
| 6 | 9.1051.0002.0 | (6) | (7) | (8) | |
| 7 | 9.1058.0015*6 | (6) | (7) | (8) | M10x35 DIN 603-8.8 |
| 8 | 9.1113.0043*0 | 1 | 1 | 1 | |
| 9 | 9.1113.0120*0 | 1 | 1 | 1 | |
| 10 | 9.1114.0009*0 | (2) | (2) | (2) | |
| 11 | 9.1114.0009*0 | (12) | (14) | (16) | |

LELY

| SPLENDIMO L | type nummer type number número de type Typnummer | vanaf serienummer as from serial number après numéro de serie ab Seriennummer |
|-----------------|---|--|
| 165 | 4.1257.0000.1 | 10711 - 0507 |
| | 4.1257.0001.1 | 3000292 |
| | 4.1257.0002.1 | 3007897 |
| | 4.1257.0003.1 | 3000000 |
| 205 205 HB A | 4.1233.0016.1 | 3007932 |
| | 4.1233.0017.1 | 3008081 |
| | 4.1233.0031.1 | 3010642 |
| | | |



E103-02-03

| REF. | ONDERDEELNR. PART NUMBER REFERENCE TEILNUMMER | AANTAL QUANTITY QUANTITE ANZAHL |
|------|--|--|
|------|--|--|

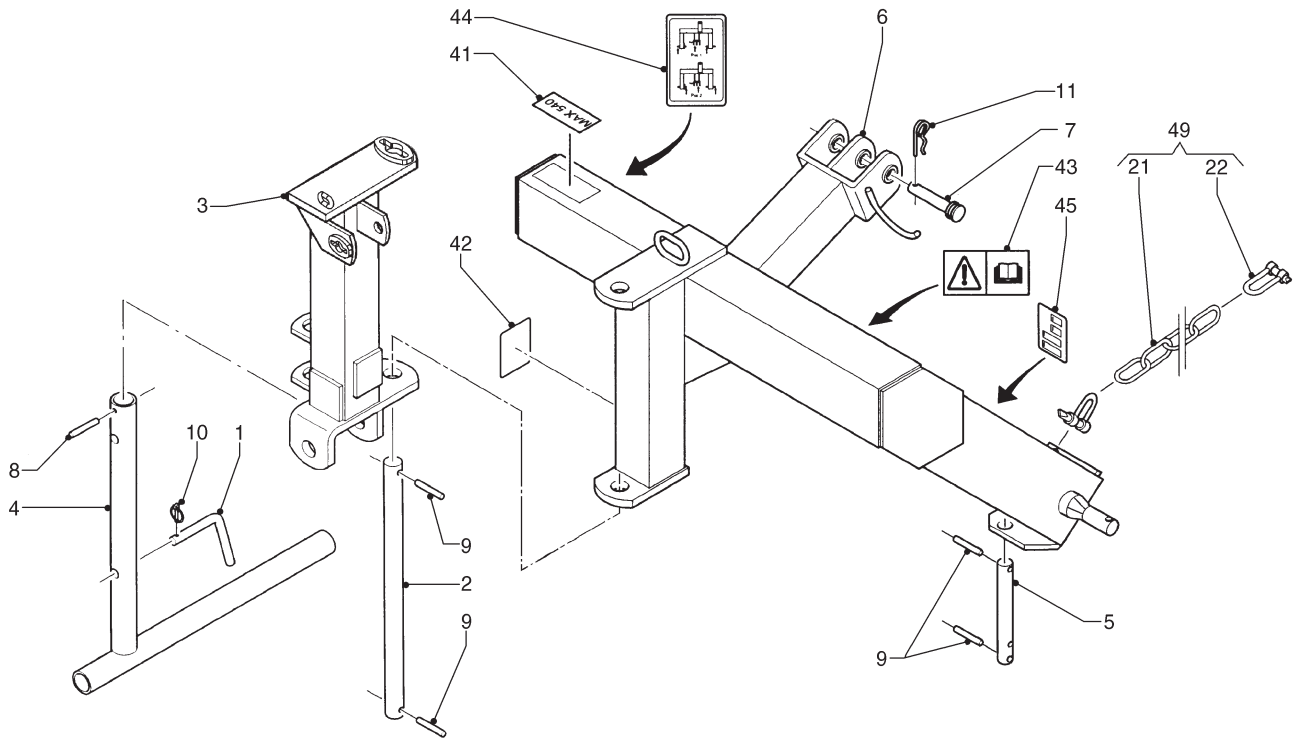
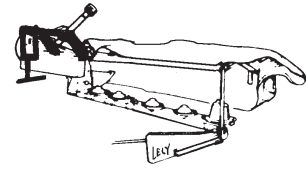
| | | 205 | | 205 HD | | | |
|----|---------------|-----|-----|--------|---------------------|-----|--|
| | | 165 | 205 | 165 | 205 HD | | |
| 1 | 1.1633.1495.0 | 1 | 1 | 1 | | | |
| 2 | 4.1003.0142.0 | 1 | 1 | - | | | |
| A | 4.1241.1921.0 | - | - | (1) | | [x] | |
| 3 | 4.1201.1481.0 | 1 | 1 | 1 | | | |
| 4 | 4.1207.0611.0 | 1 | 1 | 1 | | | |
| 5 | 4.1210.0591.0 | 1 | 1 | 1 | | | |
| 6 | 4.1215.0600.0 | 1 | 1 | - | | | |
| A | 4.1215.0600.0 | - | - | (1) | | | |
| 7 | 4.1233.0170.0 | 1 | 1 | 1 | | | |
| 8 | 4.1227.1479.0 | 1 | 1 | - | L= 109mm | | |
| | 4.1220.1466.0 | - | - | 1 | L= 323mm | [x] | |
| 9 | 4.1233.0180.0 | 1 | 1 | - | | | |
| | 4.1242.0370.0 | (1) | - | 1 | | [x] | |
| 10 | 9.1124.0008*3 | 1 | 1 | - | Ø4 | | |
| | 9.1124.0004.6 | - | - | 1 | Ø5 | [x] | |
| 11 | 9.1088.0010*6 | 1 | 1 | - | Cat. I+II | | |
| | 9.1088.0005.1 | - | - | 1 | 25-95 | [x] | |
| 12 | 9.1029.0008*0 | 2 | 2 | 2 | M12 DIN 934-8 | | |
| 13 | 9.1030.0004*2 | 3 | 3 | 2 | M10 DIN 985-8 | | |
| 14 | 9.1048.0007*1 | 4 | 4 | 4 | A10,5 DIN 125 | [] | |
| 15 | 9.1070.0023.2 | 1 | 1 | 1 | Ø8x50 DIN 1481 | | |
| 16 | 9.1070.0028.0 | 4 | 4 | 4 | Ø10x60 DIN 1481 | | |
| 17 | 9.1097.0001.2 | 1 | 1 | - | Cat. II | | |
| 18 | 9.1113.0044*1 | 1 | 1 | 1 | M10x120 DIN 931-8.8 | | |
| 19 | 9.1113.0115*2 | 2 | 2 | - | M10x40 DIN 933-10.9 | | |
| | 9.1113.0227*2 | - | - | 2 | M10x60 DIN 931-10.9 | [x] | |
| | | | | | = REF. 14 Pag. 12 | | |
| 20 | 9.1123.0002*5 | 2 | 2 | - | Ø11 | | |
| 21 | 9.1123.0003*6 | 1 | 1 | (1) | Ø6 | | |

| REF. | ONDERDEELNR. PART NUMBER REFERENCE TEILNUMMER | AANTAL QUANTITY QUANTITE ANZAHL |
|------|--|--|
|------|--|--|

| | | 205 | | 205 HD | | | |
|----|---------------|-----|-----|--------|--|--|--|
| | | 165 | 205 | 165 | 205 HD | | |
| 31 | 4.1201.2078.0 | (1) | (1) | - | | | |
| 32 | 9.1123.0002*5 | (1) | (1) | - | Ø11 | | |
| 33 | 9.1144.0018*0 | (2) | (2) | (1) | 13x (10x65) | | |
| 34 | 9.1146.0005*6 | (2) | (2) | (2) | 5/8" | | |
| 41 | 9.1170.0125.4 | 1 | 1 | 1 | "MAX. 540/min." | | |
| 42 | 9.1170.0408.0 | 1 | 1 | 1 | | | |
| 43 | 9.1170.0431.2 | - | - | 1 | Pos.1 - Pos. 2 | | |
| 44 | 9.1170.0281.6 | 1 | 1 | 1 | "Maaihoogte 22" 55 cm" "Mowing height 22" 55 cm" "Hautr. de fauchage 55 cm" "Mähhöhe 22" 55 cm" | | |
| 45 | 9.1170.0573.4 | 1 | 1 | 1 | "Maaiimes 100 / 120 mm" "Knife 100 / 120 mm" "Couteau 100 / 120 mm" "Messer 100 / 120 mm" | | |
| 45 | 9.1170.0430.1 | - | 1 | - | "Maaiimes 83 / 120 mm"[x] "Knife 83 / 120 mm"[x] "Couteau 83 / 120 mm"[x] "Messer 83 / 120 mm"[x] | | |
| 48 | 4.1203.2080.0 | - | - | (1) | = REF. 33-34 | | |
| 49 | 4.1201.2071.0 | (1) | (1) | (1) | = REF. 31-34 | | |

LELY

| SPLENDIMO L | | type number type number numéro de type Typnummer | vanaf serienummer as from serial number après numéro de serie ab Seriennummer |
|-------------|---|---|--|
| 240 | B | 4.1230.0016.1 | 3008111 |
| 240 HD | A | 4.1230.0017.1 | 3000000 |
| | A | 4.1230.0018.1 | 3000000 |
| 240 HD | C | 4.1230.0030.1 | 3010172 |
| 280 | B | 4.1229.0015.1 | 3008250 |
| | B | 4.1229.0016.1 | 3000000 |
| 320 | B | 4.1225.0023.1 | 3008820 |
| | B | 4.1225.0024.1 | 3000000 |



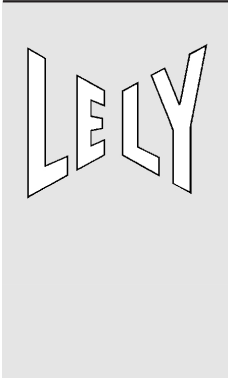
E065-05-01

| REF. | ONDERDEELNR. PART NUMBER REFERENCE TEILNUMMER | AANTAL QUANTITY QUANTITE ANZAHL | A | B | C |
|------|--|--|---|---|---|
|------|--|--|---|---|---|

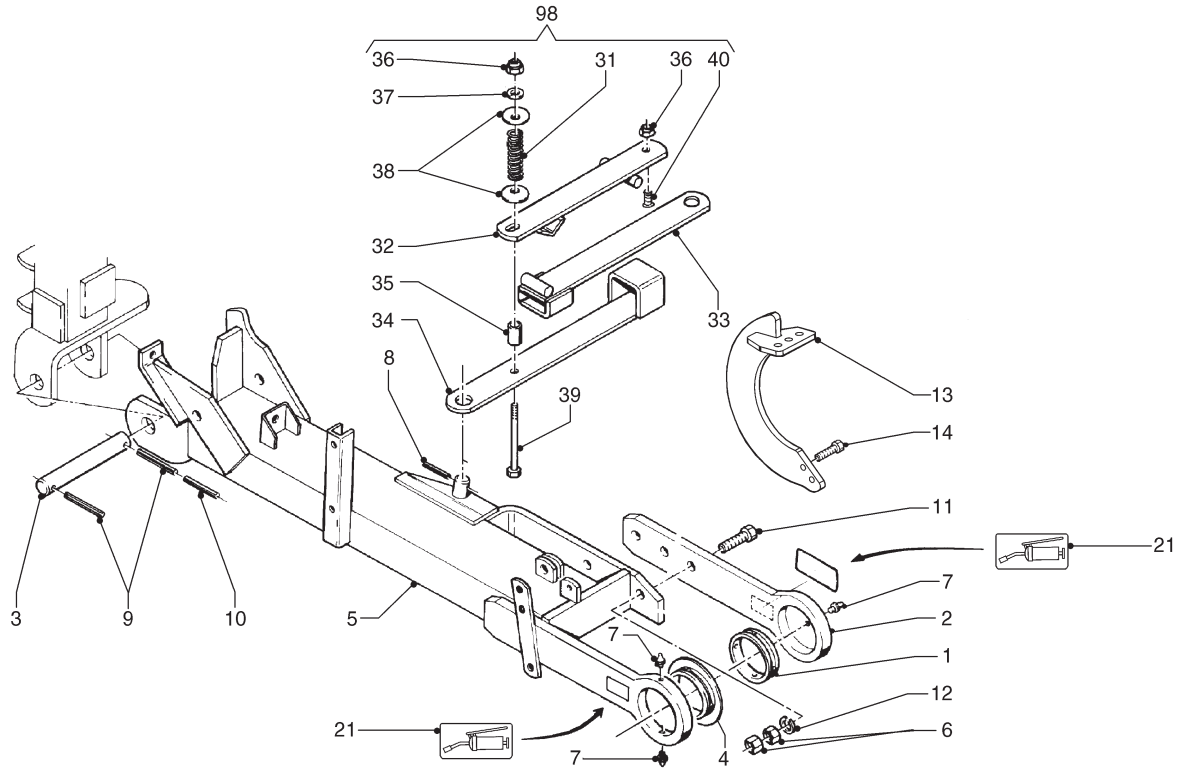
| | | | | | |
|----|---------------|-----|-----|-----|-----------------|
| 1 | 4.1003.0142.0 | 1 | 1 | - | |
| 2 | 4.1207.0611.0 | 1 | 1 | 1 | |
| 3 | 4.1210.0591.0 | 1 | 1 | - | |
| 4 | 4.1215.0600.0 | 1 | 1 | - | |
| 5 | 4.1220.1466.0 | 1 | 1 | 1 | |
| 6 | 4.1220.1710.0 | 1 | - | - | [x] |
| | 4.1242.0370.0 | - | 1 | 1 | |
| 7 | 9.1088.0005.1 | 1 | 1 | 1 | 25-95 |
| 8 | 9.1070.0023.2 | 1 | 1 | - | Ø8x50 DIN 1481 |
| 9 | 9.1070.0028.0 | 4 | 4 | - | Ø10x60 DIN 1481 |
| | 9.1070.0028.0 | - | - | 2 | Ø10x60 DIN 1481 |
| 10 | 9.1123.0003*6 | 1 | 1 | - | Ø6 |
| 11 | 9.1124.0004*6 | 1 | 1 | 1 | Ø5 |
| 21 | 9.1144.0018*0 | (1) | (1) | (1) | 13x (10x65) |
| 22 | 9.1146.0005*6 | (2) | (2) | (2) | 5/8" |

| REF. | ONDERDEELNR. PART NUMBER REFERENCE TEILNUMMER | AANTAL QUANTITY QUANTITE ANZAHL | |
|------|--|--|--|
|------|--|--|--|

| | | | |
|----|---------------|-----|---|
| 41 | 9.1170.0125.4 | 1 | "MAX. 540/min." |
| 42 | 9.1170.0281.6 | 1 | "Maaihoogte 22" 55 cm" "Mowing height 22" 55 cm" "Hautr. de fauchage" 55 cm" "Mähhöhe 22" 55 cm" |
| 43 | 9.1170.0408.0 | 1 | |
| 44 | 9.1170.0431.2 | 1 | "Pos.1 - Pos. 2" |
| 45 | 9.1170.0573.4 | 1 | "Maimes 100 / 120 mm" "Knife 100 / 120 mm" "Couteau 100 / 120 mm" "Messer 100 / 120 mm" |
| 49 | 4.1203.2080.0 | (1) | = REF. 21+22 |



| SPLENDIMO L | type nummer type number numéro de type Typnummer | vanaf serienummer as from serial number après numéro de serie ab Seriennummer | SPLENDIMO L | type nummer type number numéro de type Typnummer | vanaf serienummer as from serial number après numéro de serie ab Seriennummer |
|-------------|---|--|------------------|---|--|
| 165 | 4.1257.0000.1 | 10711 - 0507 | 205 HD 205 HD | 4.1233.0030.1 | 3003491 |
| | 4.1257.0001.1 | 3000292 | | 4.1233.0031.1 | 3010642 |
| | 4.1257.0002.1 | 3007897 | | | |
| | 4.1257.0003.1 | 3000000 | | | |
| 205 | 4.1233.0010.1 | 10804 - 0535 | | | |
| | 4.1233.0011.1 | 10804 - 0553 | | | |
| | 4.1233.0012.1 | 10804 - 0553 | | | |
| | 4.1233.0013.1 | 10709 - 0526 | | | |
| | 4.1233.0014.1 | 10806 - 0511 | | | |
| | 4.1233.0015.1 | 3000000 | | | |
| | 4.1233.0016.1 | 3007932 | | | |
| | 4.1233.0017.1 | 3008081 | | | |



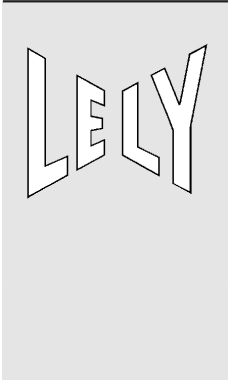
E066-05-02

| REF. | ONDERDEELNR. PART NUMBER REFERENCE TEILNUMMER | AANTAL QUANTITY QUANTITE ANZAHL |
|------|--|--|
|------|--|--|

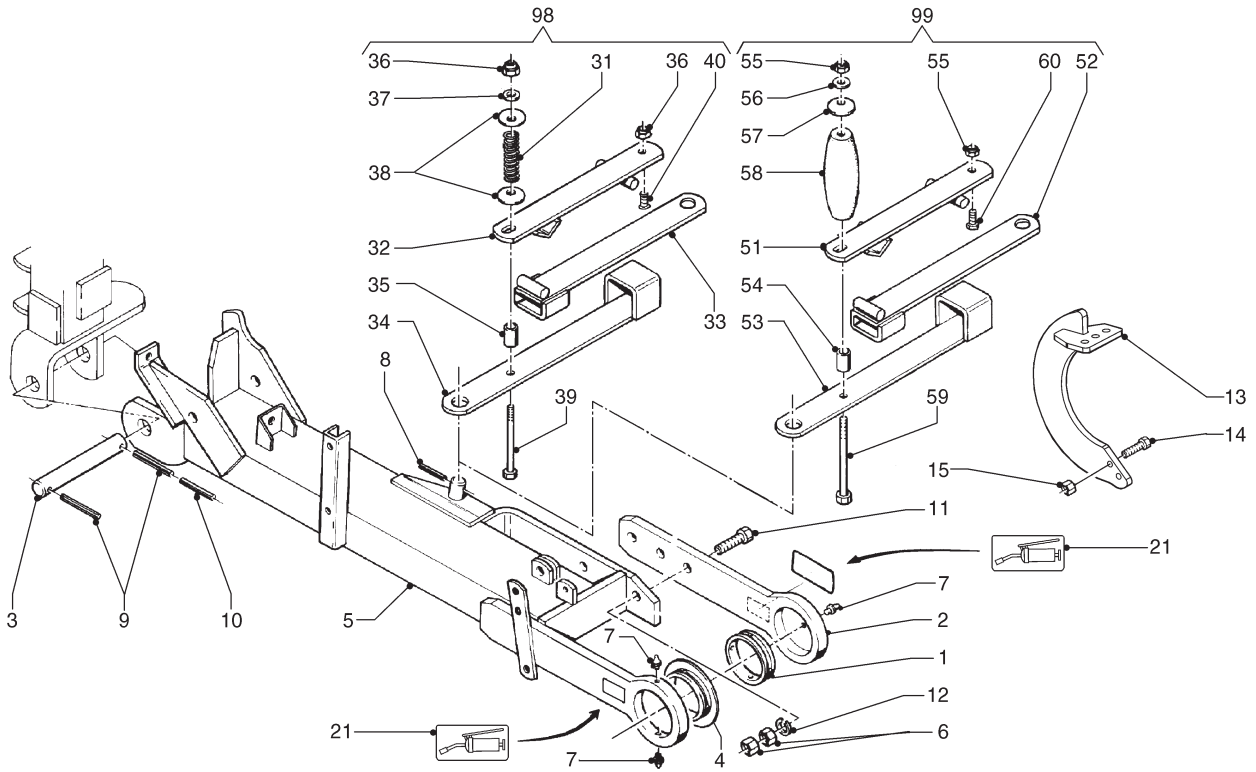
| REF. | ONDERDEELNR. PART NUMBER REFERENCE TEILNUMMER | AANTAL QUANTITY QUANTITE ANZAHL |
|------|--|--|
|------|--|--|

| | | 165 | 205 | HD | | |
|----|---------------|-----|-----|----|--|-----|
| | | 205 | | | | |
| 1 | 4.1201.1482.0 | 1 | 1 | 1 | | |
| 2 | 4.1207.0580.0 | 1 | 1 | 1 | | |
| 3 | 4.1207.0610.0 | 1 | 1 | - | L= 224mm Ø40 | |
| | 4.1233.0679.0 | - | - | 1 | L= 243mm Ø40 | [x] |
| 4 | 4.1207.0620.0 | 1 | 1 | 1 | | |
| 5 | 4.1225.0241.0 | 1 | 1 | - | | |
| | 4.1242.0380.0 | - | - | 1 | | [x] |
| 6 | 9.1029.0016*1 | 6 | 6 | 6 | M20 DIN 934-8 | |
| | 9.1068.0007*2 | 3 | 3 | 3 | AM8x1,25 | |
| 8 | 9.1070.0028.0 | 1 | 1 | 1 | Ø10x60 DIN 1481 | |
| 9 | 9.1070.0038.3 | 2 | 2 | - | Ø10x75 DIN 1481 | |
| | 9.1070.0031.3 | - | - | 2 | Ø12x60 DIN 1481 | |
| 10 | 9.1070.0062.6 | 1 | 1 | 1 | Ø6x75 DIN 1481 | |
| | 9.1113.0094*2 | 3 | 3 | 3 | M20x90 DIN 931-8.8 | |
| 12 | 9.1121.0014.5 | 3 | 3 | 3 | A20 DIN 127 | [—] |
| 13 | 4.1233.0600.0 | - | - | 1 | | |
| 14 | 9.1113.0227*5 | - | - | 2 | M10x60 DIN 931-10.9 | |
| | | | | | = REF. 19 Pag. 9 | |
| 21 | 9.1170.0205.0 | 2 | 2 | 2 | "Smeerpunt" "Greasing point" "Point de graissage" "Schmierstelle" | |

| | | 165 | 205 | HD | | |
|----|---------------|-----|-----|----|----------------------|-----|
| | | 205 | | | | |
| 31 | 4.1203.0219.0 | 1 | 1 | 1 | | |
| 32 | 4.1219.0111.0 | 1 | 1 | 1 | | |
| 33 | 4.1219.0122.0 | 1 | 1 | 1 | | |
| | 4.1220.1380.0 | - | - | 1 | | [x] |
| 34 | 4.1219.0131.0 | 1 | 1 | - | | |
| | 4.1253.0350.0 | - | - | 1 | | [x] |
| 35 | 4.1220.0809.0 | 1 | 1 | 1 | | |
| 36 | 9.1030.0015*6 | 2 | 2 | 2 | M14 DIN 985-8 | |
| 37 | 9.1048.0053*5 | 1 | 1 | 1 | A15 DIN 125 | [—] |
| 38 | 9.1091.0008*1 | 2 | 2 | 2 | 40x14,3x1,5 DIN 2093 | |
| 39 | 9.1113.0161*6 | 1 | 1 | 1 | M14x260 DIN 931-8.8 | |
| 40 | 9.1113.0178*2 | 1 | 1 | - | M14x35 DIN 933-10.9 | |
| | 9.1113.0119*6 | - | - | 1 | M14x30 DIN 933-10.9 | [x] |
| 98 | 4.1229.0191.0 | 1 | 1 | - | = REF. 31-40 | |
| | 4.1253.0340.0 | - | - | 1 | = REF. 31-40 | |



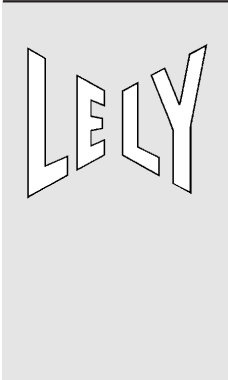
| SPLENDIMO L | type nummer type number número de type Typnummer | vanaf serienummer as from serial number après numéro de serie ab Seriennummer | SPLENDIMO L | type nummer type number número de type Typnummer | vanaf serienummer as from serial number après numéro de serie ab Seriennummer |
|-------------|---|--|---------------|---|--|
| 240 | 4.1230.0009.1 | 3000000 | 280 | 4.1229.0010.1 | 3001230 |
| | 4.1230.0011.1 | 10804 - 0546 | | 4.1229.0011.1 | 10803 - 0702 |
| | 4.1230.0012.1 | 10806 - 0834 | | 4.1229.0012.1 | 3000000 |
| | 4.1230.0013.1 | 3000000 | | 4.1229.0013.1 | 3000000 |
| | 4.1230.0014.1 | 3000915 | | 4.1229.0014.1 | 10703 - 0501 |
| | 4.1230.0015.1 | 10703 - 0501 | | 4.1229.0015.1 | 3008250 |
| 240 HD | 4.1230.0016.1 | 3008111 | 320 | 4.1229.0016.1 | 3000000 |
| | 4.1230.0017.1 | 3000000 | | 4.1225.0020.1 | 3000751 |
| | 4.1230.0018.1 | 3000000 | | 4.1225.0021.1 | 10805 - 0688 |
| 240 HD A | 4.1230.0030.1 | 3010172 | 4.1225.0022.1 | 3000000 | |
| | | | 4.1225.0023.1 | 3008820 | |
| | | | 4.1225.0024.1 | 3000000 | |



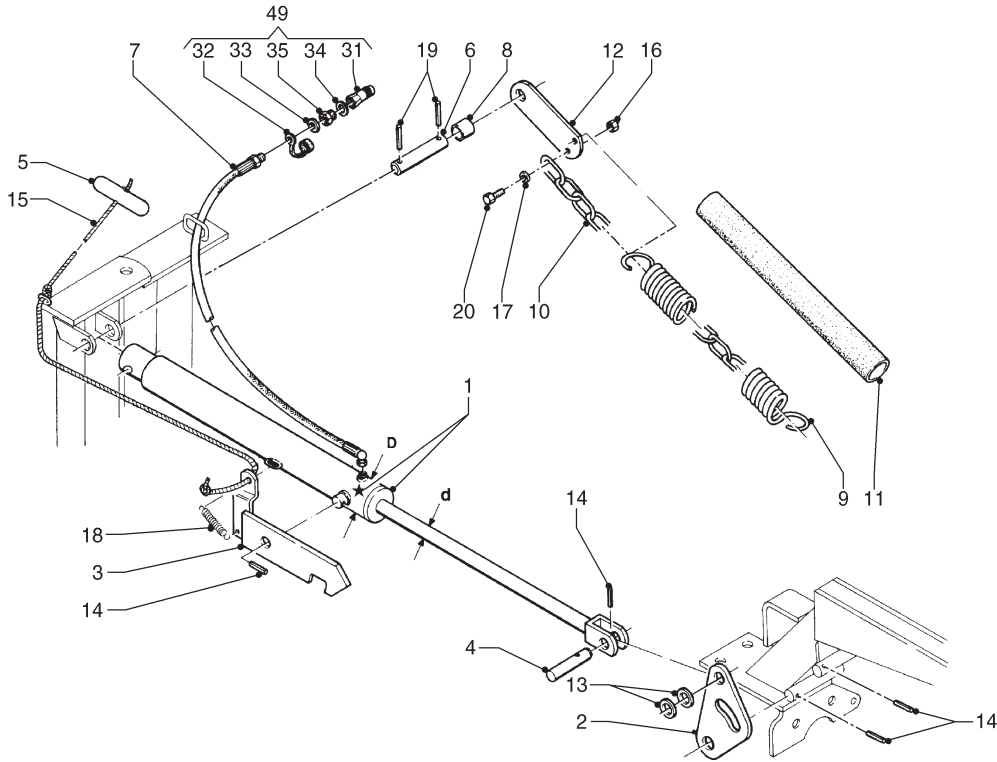
E066-05-03

| REF. | ONDERDEELNR. PART NUMBER REFERENCE TEILNUMMER | AANTAL QUANTITY QUANTITE ANZAHL | |
|------|--|--|--|
| 1 | 4.1201.1482.0 | 1 | |
| 2 | 4.1207.0580.0 | 1 | |
| 3 | 4.1207.0610.0 | 1 | |
| 4 | 4.1207.0620.0 | 1 | |
| 5 | 4.1225.0241.0 | 1 | |
| A | 4.1242.0380.0 | 1 | [x] |
| 6 | 9.1029.0016*1 | 6 | M20 DIN 934-8 |
| 7 | 9.1068.0007*2 | 3 | AM8x1,25 |
| 8 | 9.1070.0028.0 | 1 | Ø10x60 DIN 1481 |
| 9 | 9.1070.0038.3 | 2 | Ø10x75 DIN 1481 |
| 10 | 9.1070.0062.6 | 1 | Ø6x75 DIN 1481 |
| 11 | 9.1113.0094*2 | 3 | M20x90 DIN 931-8.8 |
| 12 | 9.1121.0014.5 | 3 | A20 DIN 127 [—/—] |
| 13 | A 4.1233.0600.0 | 1 | |
| 14 | A 9.1113.0227*5 | 2 | M10x60 DIN 931-10.9 = REF. 19 Pag. 9 |
| 15 | A 9.1030.0004*2 | 2 | M10 DIN 985-8 |
| 21 | 9.1170.0205.0 | 2 | "Smeerpunt" "Greasing point" "Point de graissage" "Schmierstelle" |
| 31 | 4.1203.0219.0 | 1 | |
| 32 | 4.1219.0111.0 | 1 | |
| 33 | 4.1219.0122.0 | 1 | |
| A | 4.1220.0138.0 | 1 | [x] |

| REF. | ONDERDEELNR. PART NUMBER REFERENCE TEILNUMMER | AANTAL QUANTITY QUANTITE ANZAHL | |
|------|--|--|---|
| 34 | 4.1219.0131.0 | 1 | |
| A | 4.1253.0350.0 | 1 | [x] |
| 35 | 4.1220.0809.0 | 1 | |
| 36 | 9.1030.0015*6 | 2 | M14 DIN 985-8 |
| 37 | 9.1048.0053*5 | 1 | A15 DIN 125 [—/—] |
| 38 | 9.1091.0008*1 | 2 | 40x14,3x1,5 DIN 2093 |
| 39 | 9.1113.0161*6 | 1 | M14x260 DIN 931-8.8 |
| 40 | 9.1113.0178*2 | 1 | M14x35 DIN 933-10.9 |
| A | 9.1113.0119*6 | 1 | M14x30 DIN 933-10.9 [x] |
| 51 | 4.1219.0111.0 | 1 | |
| 52 | 4.1219.0122.0 | 1 | |
| 53 | 4.1219.0131.0 | 1 | |
| 54 | 4.1220.0809.0 | 1 | |
| 55 | 9.1030.0015*6 | 2 | M14 DIN 985-8 |
| 56 | 9.1048.0053*5 | 1 | A15 DIN 125 [—/—] |
| 57 | 9.1091.0012*5 | 1 | 50x18,3x3 DIN 2093 |
| 58 | 9.1105.0009.2 | 1 | |
| 59 | 9.1113.0160*5 | 1 | M14x200 DIN 931-8.8 |
| 60 | 9.1113.0178*2 | 1 | M14x35 DIN 933-10.9 |
| 98 | 4.1229.0191.0 | 1 | = REF. 31-40 |
| 98 | A 4.1253.0340.0 | 1 | = REF. 31-32-33A-34A-(35-40A) 240 HD |
| 99 | 4.1219.0091.0 | 1 | = REF. 51-60 |
| | | | 320 |



| SPLENDIMO L | type number type number numéro de type Typnummer | vanaf serienummer as from serial number après numéro de serie ab Seriennummer | SPLENDIMO L | type number type number numéro de type Typnummer | vanaf serienummer as from serial number après numéro de serie ab Seriennummer |
|-------------|---|--|-------------|---|--|
| 165 | 4.1257.0000.1 | 10711 - 0507 | 240 | 4.1230.0014.1 | 3000915 |
| | 4.1257.0001.1 | 3000292 | | 4.1230.0015.1 | 10703 - 0501 |
| | 4.1257.0002.1 | 3007897 | | 4.1230.0016.1 | 3008111 |
| 205 | 4.1257.0003.1 | 3000000 | 240 HD | 4.1230.0017.1 | 3000000 |
| | 4.1233.0010.1 | 10804 - 0535 | 240 HD | 4.1230.0018.1 | 3000000 |
| | 4.1233.0011.1 | 10804 - 0553 | 280 | 4.1230.0030.1 | 3010172 |
| | 4.1233.0012.1 | 10804 - 0535 | | 4.1229.0010.1 | 3001230 |
| | 4.1233.0013.1 | 10709 - 0526 | | 4.1229.0011.1 | 10803 - 0702 |
| 205 HD | 4.1233.0014.1 | 10806 - 0511 | 320 | 4.1229.0012.1 | 3000000 |
| | 4.1233.0015.1 | 10703 - 0501 | | 4.1229.0013.1 | 3000000 |
| | 4.1233.0016.1 | 3007932 | | 4.1229.0014.1 | 10703 - 0501 |
| 205 HD | 4.1233.0017.1 | 3008081 | 320 | 4.1229.0015.1 | 3008250 |
| | 4.1233.0030.1 | 3003491 | | 4.1229.0016.1 | 3000000 |
| | 4.1233.0031.1 | 3010642 | | 4.1225.0020.1 | 3000751 |
| 240 | 4.1230.0009.1 | 3000000 | 320 | 4.1225.0021.1 | 10805 - 0688 |
| | 4.1230.0011.1 | 10804 - 0546 | | 4.1225.0022.1 | 3000000 |
| | 4.1230.0012.1 | 10806 - 0834 | | 4.1225.0023.1 | 3008820 |
| | 4.1230.0013.1 | 3000000 | | 4.1225.0024.1 | 3000000 |



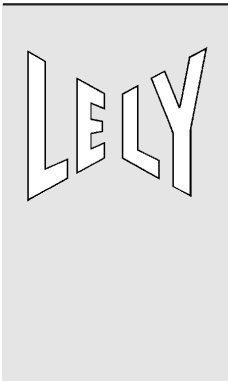
E080-02-11

| REF. | ONDERDEELNR. PART NUMBER REFERENCE TEILNUMMER | AANTAL QUANTITY QUANTITE ANZAHL |
|------|--|--|
|------|--|--|

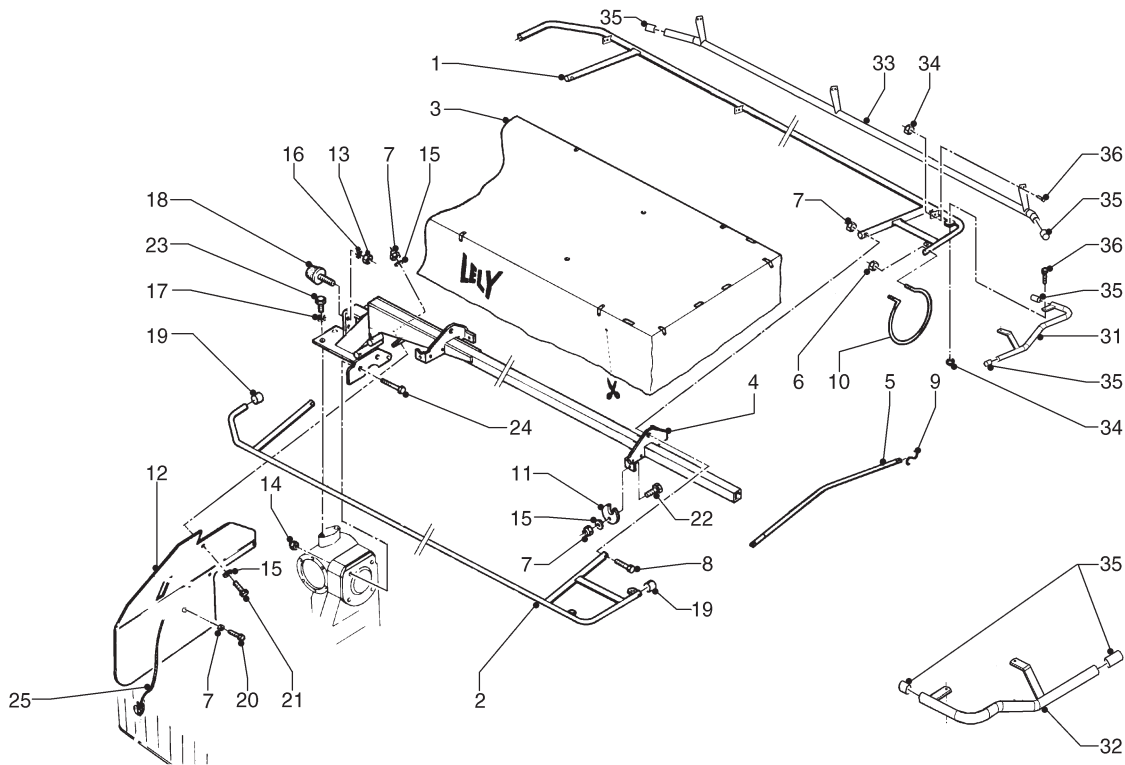
| REF. | ONDERDEELNR. PART NUMBER REFERENCE TEILNUMMER | AANTAL QUANTITY QUANTITE ANZAHL |
|------|--|--|
|------|--|--|

| | | 165 | 205 | 240 | 280 | 320 | |
|----|---------------|-----|-----|-----|-----|-----|-------------------------------|
| 1 | 4.1201.0192.0 | 1 | 1 | - | - | - | (= 1 + ★) |
| ★ | 4.1201.0193.0 | (1) | (1) | - | - | - | (d= Ø25) [A+A] (D= Ø50/60) |
| 1 | 4.1210.0041.0 | - | - | 1 | 1 | 1 | (= 1 + ★) |
| ★ | 4.1207.0399.0 | - | - | (1) | (1) | (1) | (d= Ø35) [A+A] D= Ø60/70 |
| 2 | 4.1201.0136.0 | 1 | 1 | - | - | - | [x] |
| | 4.1229.1499.0 | - | - | 1 | - | - | [x] |
| | 4.1223.0199.0 | - | - | - | 1 | - | [x] |
| | 4.1225.1488.0 | - | - | - | - | 1 | [x] |
| 3 | 4.1210.0520.0 | 1 | 1 | - | - | - | [x] |
| | 4.1225.0300.0 | - | - | 1 | 1 | 1 | [x] |
| 4 | 4.1210.1495.0 | 1 | 1 | - | - | - | [x] |
| | 4.1225.1498.0 | - | - | 1 | 1 | 1 | [x] |
| 5 | 2.3201.0328.0 | 1 | 1 | 1 | 1 | 1 | |
| 6 | 4.1003.0048.0 | 1 | 1 | 1 | 1 | 1 | |
| 7 | 4.1016.0530.0 | 1 | 1 | 1 | 1 | 1 | L= 2060 mm |
| 8 | 4.1210.1489.0 | 1 | 1 | 1 | 1 | 1 | |
| 9 | 4.1225.1490.0 | 1 | 1 | 1 | 1 | 1 | |
| 10 | 4.1225.1491.0 | 1 | 1 | 1 | 1 | 1 | L= 805 (6x42) |
| | 4.1225.1492.0 | 1 | 1 | 1 | 1 | 1 | |
| 12 | 4.1225.1493.0 | 1 | 1 | 1 | 1 | 1 | |

| | | 165 | 205 | 240 | 280 | 320 | |
|----|---------------|-----|-----|-----|-----|-----|-----------------------------------|
| 13 | 9.1048.0019*6 | 4 | 4 | - | - | - | A21 DIN 125 [—] |
| | 9.1048.0045*4 | - | - | 2 | 2 | 2 | A26 DIN 126 [—] |
| 14 | 9.1070.0019.5 | 1 | 1 | - | - | - | Ø6x50 DIN 1481 |
| | 9.1070.0023.2 | 3 | 3 | - | - | - | Ø8x50 DIN 1481 |
| | 9.1070.0023.2 | - | - | 4 | 4 | 4 | Ø8x50 DIN 1481 |
| 15 | 4.1201.1462.0 | 1 | 1 | 1 | 1 | 1 | Ø6 L= 4000 (1m= 9.1163.0004.2) |
| 16 | 9.1030.0004*2 | 1 | 1 | 1 | 1 | 1 | M10 DIN 985-8 |
| 17 | 9.1048.0008*2 | 1 | 1 | 1 | 1 | 1 | A10,5 DIN 9021 [—] |
| 18 | 9.1089.0014.2 | 1 | 1 | 1 | 1 | 1 | |
| 19 | 9.1070.0018.4 | 2 | 2 | 2 | 2 | 2 | Ø6x40 DIN 1481 |
| 20 | 9.1113.0117*4 | 1 | 1 | 1 | 1 | 1 | M10x35 DIN 933-8.8 |
| 31 | 9.1137.0302.4 | 1 | 1 | 1 | 1 | 1 | 1/2" G |
| 32 | 9.1137.0303.5 | 1 | 1 | 1 | 1 | 1 | 1/2" PVC |
| 33 | 9.1137.0409.6 | 1 | 1 | 1 | 1 | 1 | Ø13,7x20,6x2,03 [—] |
| 34 | 9.1137.0411.1 | 1 | 1 | 1 | 1 | 1 | Ø21,5x28,6x2,34 [—] |
| 35 | 9.1137.0603.4 | 1 | 1 | 1 | 1 | 1 | 1/2"-1/4" |
| 49 | 2.3201.2312.8 | 1 | 1 | 1 | 1 | 1 | = REF. 31-35 |



| SPLENDIMO L | type number type number numéro de type Typnummer | vanaf serienummer as from serial number après numéro de serie ab Seriennummer | SPLENDIMO L | type number type number numéro de type Typnummer | vanaf serienummer as from serial number après numéro de serie ab Seriennummer | |
|-------------|---|--|-------------|---|--|---------|
| 165 | 4.1257.0000.1 | 10711 - 0507 | 205 HD A | 4.1233.0030.1 | 3003491 | |
| | 4.1257.0001.1 | 3000292 | | 205 HD A | 4.1233.0031.1 | 3010642 |
| | 4.1257.0002.1 | 3007897 | | | | |
| | 4.1257.0003.1 | 3000000 | | | | |
| 205 | 4.1233.0010.1 | 10804 - 0535 | | | | |
| | 4.1233.0011.1 | 10804 - 0553 | | | | |
| | 4.1233.0012.1 | 10804 - 0553 | | | | |
| | 4.1233.0013.1 | 10709 - 0526 | | | | |
| | 4.1233.0014.1 | 10806 - 0511 | | | | |
| | 4.1233.0015.1 | 3000000 | | | | |
| | 4.1233.0016.1 | 3007932 | | | | |
| | 4.1233.0017.1 | 3008081 | | | | |



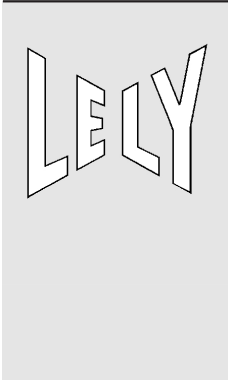
E081-04-03

| REF. | ONDERDEELNR. PART NUMBER REFERENCE TEILNUMMER | AANTAL QUANTITY QUANTITE ANZAHL |
|------|--|--|
|------|--|--|

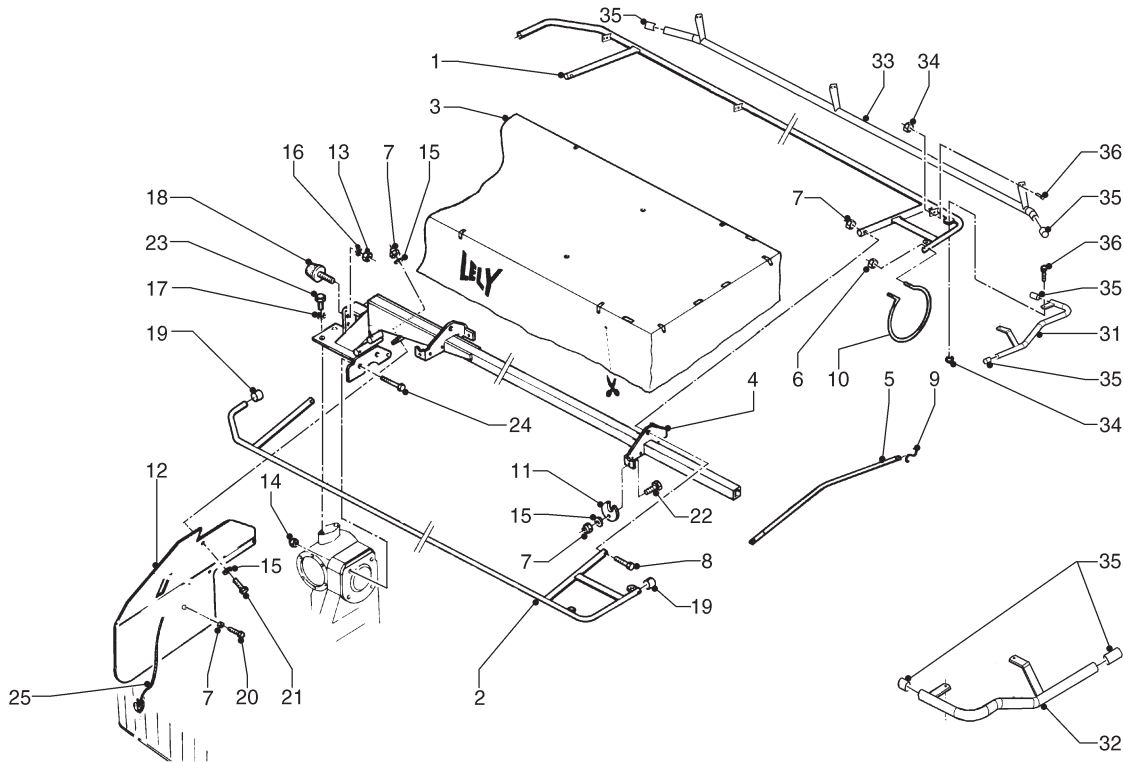
| REF. | ONDERDEELNR. PART NUMBER REFERENCE TEILNUMMER | AANTAL QUANTITY QUANTITE ANZAHL |
|------|--|--|
|------|--|--|

| | | 205 | 165 | 205 HD | |
|----|---------------|-----|-----|--------|-----------------------|
| 1 | 4.1201.0622.0 | 1 | - | - | [x] |
| | 4.1202.0544.0 | - | 1 | 1 | |
| 2 | 4.1201.0612.0 | 1 | - | - | [x] |
| | 4.1202.0612.0 | - | 1 | 1 | |
| 3 | 4.1257.1499.0 | 1 | - | - | PVC [x] |
| | 4.1257.1498.0 | (1) | - | - | Aramide 165 [x] |
| | 4.1233.1498.0 | - | 1 | - | PVC [x] |
| | 4.1233.1499.0 | - | - | 1 | Aramide 205 HD [x] |
| 4 | 4.1257.0160.0 | 1 | - | - | [x] |
| | 4.1233.0161.0 | - | 1 | 1 | |
| 5 | 4.1210.1498.0 | 2 | 2 | 2 | |
| 6 | 9.1030.0040*3 | 2 | 2 | 2 | M8 DIN 985-10 |
| 7 | 9.1030.0004*2 | 8 | 8 | 8 | M10 DIN 985-8 |
| 8 | 9.1113.0100*1 | 2 | 2 | 2 | M10x90 DIN 931-8.8 |
| 9 | 9.1147.0005*5 | 4 | 4 | 4 | No. 50 |
| 10 | 4.1210.1496.0 | 1 | 1 | 1 | |
| 11 | 4.1225.1486.0 | 2 | 2 | 2 | |
| 12 | 4.1249.1498.0 | 1 | 1 | 1 | |
| 13 | 9.1029.0005*4 | 2 | 2 | 2 | M10 DIN 934-8 |
| 14 | 9.1030.0015*6 | 2 | 2 | 2 | M14 DIN 985-8 |
| 15 | 9.1048.0007*1 | 4 | 4 | 4 | A10,5 DIN 125 [—] |
| 16 | 9.1051.0002.0 | 2 | 2 | 2 | A10,5 DIN 6798 [####] |
| 17 | 9.1051.0005*3 | 3 | 3 | 3 | A14,5 DIN 6798 [####] |

| | | 205 | 165 | 205 HD | |
|----|-----------------|-----|-----|--------|-------------------------|
| 18 | 9.1105.0011.4 | 2 | 2 | 2 | M10x28 |
| 19 | 9.1108.0085.6 | 2 | 2 | 2 | Ø32 |
| 20 | 9.1113.0027*5 | 3 | 3 | 3 | M10x20 DIN 933-8.8 |
| 21 | 9.1113.0029*0 | 1 | 1 | 1 | M10x25 DIN 933-8.8 |
| 22 | 9.1113.0117*4 | 2 | 2 | 2 | M10x35 DIN 933-8.8 |
| 23 | 9.1113.0279*5 | 3 | 3 | 3 | M14x45 DIN 933-10.9 |
| 24 | 9.1113.0280.6 | 2 | 2 | 2 | M14x120 DIN 931-10.9 |
| 25 | 4.1201.1462.0 | 1 | 1 | 1 | Ø6 L= 4000 |
| | A 4.1201.1458.0 | - | - | 1 | (1m= 9.1163.0004.2) [x] |
| | | | | | Ø6 L= 800 |
| | | | | | (1m= 9.1163.0004.2) |
| 31 | 4.1201.0650.0 | 1 | 1 | 1 | |
| 32 | 4.1201.0660.0 | 1 | 1 | 1 | |
| 33 | 4.1233.0440.0 | - | 1 | 1 | |
| | 4.1201.0480.0 | 1 | - | - | [x] |
| 34 | 9.1030.0012*3 | 8 | 10 | 10 | M8 DIN 985-8 |
| 35 | 9.1108.0058.6 | 6 | 6 | 6 | Ø32 |
| 36 | 9.1113.0128*1 | 8 | 8 | 8 | M8x25 DIN 933-8.8 |



| SPLENDIMO L | | | type nummer type number número de type Typnummer | vanaf serienummer as from serial number après numéro de serie ab Seriennummer | SPLENDIMO L | | | type nummer type number número de type Typnummer | vanaf serienummer as from serial number après numéro de serie ab Seriennummer |
|-------------|---------------|---------------|---|--|-------------|---------------|---------------|---|--|
| 240 | A | | 4.1230.0009.1 | 3000000 | 280 | B | | 4.1229.0010.1 | 3001230 |
| | | | 4.1230.0011.1 | 10804 - 0546 | | | | 4.1229.0011.1 | 10803 - 0702 |
| | | | 4.1230.0012.1 | 10806 - 0834 | | | | 4.1229.0012.1 | 3000000 |
| | | 4.1230.0013.1 | 3000000 | | | | 4.1229.0013.1 | 3000000 | |
| | A | | 4.1230.0014.1 | 3000915 | | | | 4.1229.0014.1 | 10703 - 0501 |
| 240 HD | A | | 4.1230.0015.1 | 10703 - 0501 | | | 4.1229.0015.1 | 3008250 | |
| | | | 4.1230.0016.1 | 3008111 | | | 4.1229.0016.1 | 3000000 | |
| | A | | 4.1230.0017.1 | 3000000 | 320 | | 4.1225.0020.1 | 3000751 | |
| | 4.1230.0018.1 | 3000000 | | 4.1225.0021.1 | | 10805 - 0688 | | | |
| c | | 4.1230.0030.1 | 3010172 | | | 4.1225.0022.1 | 3000000 | | |
| | | | | | | | 4.1225.0023.1 | 3008820 | |
| | | | | | | | 4.1225.0024.1 | 3000000 | |



E081-04-03

| REF. | ONDERDEELNR. PART NUMBER REFERENCE TEILNUMMER | AANTAL QUANTITY QUANTITE ANZAHL | |
|------|--|--|--|
|------|--|--|--|

240 280 320

| | | | |
|----|-------------------|---------|--------------------|
| 1 | 4.1203.0544.0 | 1 - - | |
| | 4.1210.0600.0 | - 1 - | [x] |
| | 4.1219.0072.0 | - - 1 | [x] |
| 2 | 4.1203.0612.0 | 1 - - | |
| | 4.1210.0552.0 | - 1 - | [x] |
| | 4.1219.0081.0 | - - 1 | [x] |
| 3 | A/C 4.1203.1492.0 | 1 - - | Aramide 240 HD |
| | 4.1230.1498.0 | 1 - - | PVC |
| | B 4.1210.1487.0 | - (1) - | Aramide 280 HD |
| | 4.1229.1496.0 | - 1 - | PVC |
| | 4.1225.1483.0 | - - 1 | PVC |
| 4 | 4.1230.0132.0 | 1 - - | |
| | 4.1229.0152.0 | - 1 - | [x] |
| | 4.1225.0212.0 | - - 1 | [x] |
| 5 | 4.1210.1498.0 | 2 3 3 | |
| 6 | 9.1030.0040*3 | 2 2 2 | M8 DIN 985-10 |
| 7 | 9.1030.0004*2 | 8 9 9 | M10 DIN 985-8 |
| 8 | 9.1113.0100*1 | 2 3 3 | M10x90 DIN 931-8.8 |
| 9 | 9.1147.0005*5 | 4 6 6 | No. 50 |
| 10 | 4.1210.1496.0 | 1 1 1 | |
| 11 | 4.1225.1486.0 | 2 2 2 | |
| 12 | 4.1249.1498.0 | 1 1 1 | |
| 13 | 9.1029.0005*4 | 2 2 2 | M10 DIN 934-8 |
| 14 | 9.1030.0015*6 | 2 2 2 | M14 DIN 985-8 |

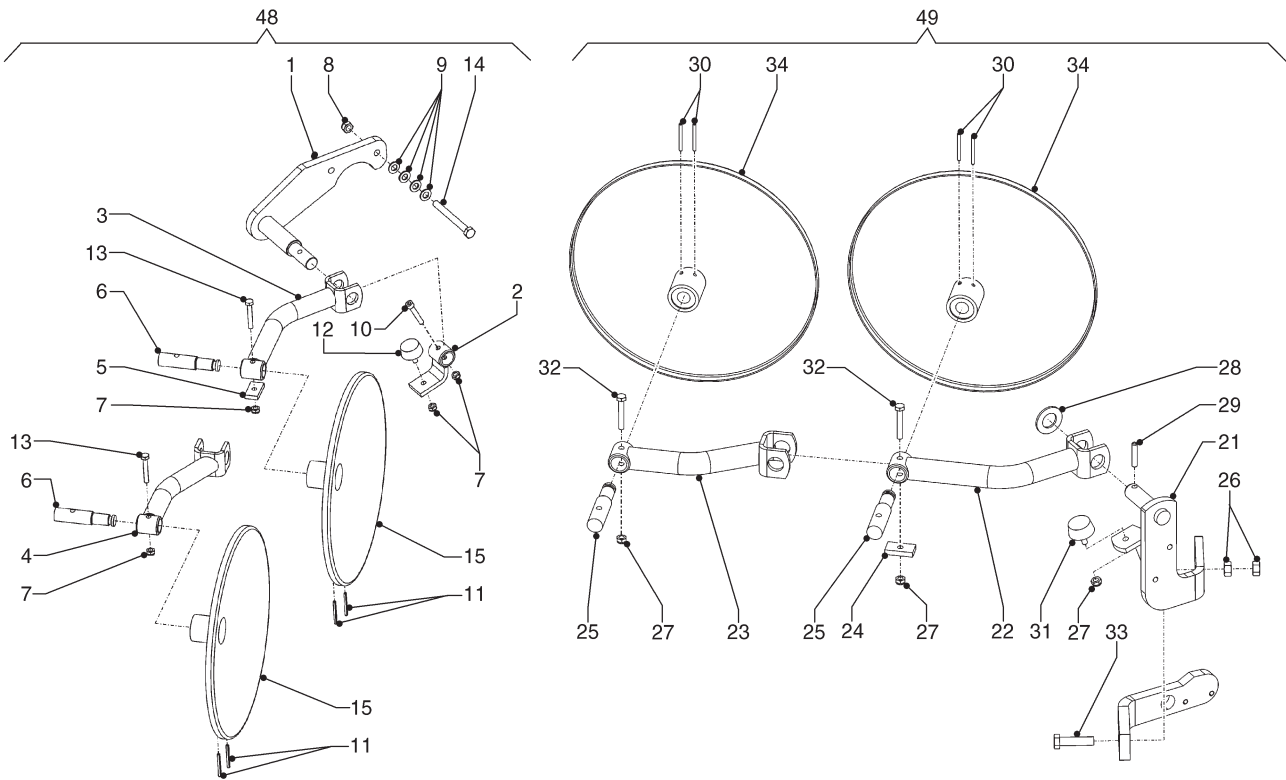
| REF. | ONDERDEELNR. PART NUMBER REFERENCE TEILNUMMER | AANTAL QUANTITY QUANTITE ANZAHL | |
|------|--|--|--|
|------|--|--|--|

240 280 320

| | | | |
|-----------------|---------------|----------|-----------------------------------|
| 15 | 9.1048.0007*1 | 4 4 4 | A10,5 DIN 125 [——] |
| 16 | 9.1051.0002.0 | 2 2 2 | A10,5 DIN 6798 [####] |
| 17 | 9.1051.0005*3 | 3 3 3 | A14,5 DIN 6798 [####] |
| 18 | 9.1105.0011.4 | 2 2 2 | M10x28 |
| 19 | 9.1108.0085.6 | 2 2 2 | Ø32 |
| 20 | 9.1113.0027*5 | 3 3 3 | M10x20 DIN 933-8.8 |
| 21 | 9.1113.0029*0 | 1 1 1 | M10x25 DIN 933-8.8 |
| 22 | 9.1113.0117*4 | 2 2 2 | M10x35 DIN 933-8.8 |
| 23 | 9.1113.0279*5 | 3 3 3 | M14x45 DIN 933-10.9 |
| C 9.1113.0119*6 | 3 - - | | M14x30 DIN 933-10.9 |
| 24 | 9.1113.0280.6 | 2 2 2 | M14x120 DIN 931-10.9 |
| 25 | 4.1201.1462.0 | 1 1 1 | Ø6 L= 4000 (1m= 9.1163.0004.2) |
| C 4.1201.1458.0 | 1 - - | | Ø6 L= 900 (1m= 9.1163.0004.2) |
| 31 | 4.1201.0650.0 | 1 1 1 | |
| 32 | 4.1201.0660.0 | 1 1 1 | |
| 33 | 4.1230.0220.0 | 1 - - | |
| | 4.1229.0280.0 | - 1 - | [x] |
| | 4.1219.0250.0 | - - 1 | [x] |
| 34 | 9.1030.0012*3 | 10 10 10 | M8 DIN 985-8 |
| 35 | 9.1108.0058.6 | 6 6 6 | Ø32 |
| 36 | 9.1113.0128*1 | 10 10 10 | M8x25 DIN 933-8.8 |

LELY

| SPLENDIMO L | type number type number numéro de type Typnummer | vanaf serienummer as from serial number après numéro de serie ab Seriennummer | SPLENDIMO L | type number type number numéro de type Typnummer | vanaf serienummer as from serial number après numéro de serie ab Seriennummer |
|---------------|---|--|-------------|---|--|
| 165 | 4.1257.0002.1 | 3007897 | 280 | 4.1229.0015.1 | 3008250 |
| | 4.1257.0003.1 | 3000000 | | 4.1229.0016.1 | 3000000 |
| 205 205 HD | 4.1233.0016.1 | 3007932 | 320 | 4.1225.0023.1 | 3008820 |
| | 4.1233.0017.1 | 3008081 | | 4.1225.0024.1 | 3000000 |
| 205 HD | 4.1233.0031.1 | 3010642 | | | |
| 240 240 HD | 4.1230.0016.1 | 3008111 | | | |
| | 4.1230.0017.1 | 3000000 | | | |
| | 4.1230.0018.1 | 3000000 | | | |
| 240 HD | 4.1230.0030.1 | 3010172 | | | |



E101-03-00

| REF. | ONDERDEELNR. PART NUMBER REFERENCE TEILNUMMER | AANTAL QUANTITY QUANTITE ANZAHL |
|------|--|--|
|------|--|--|

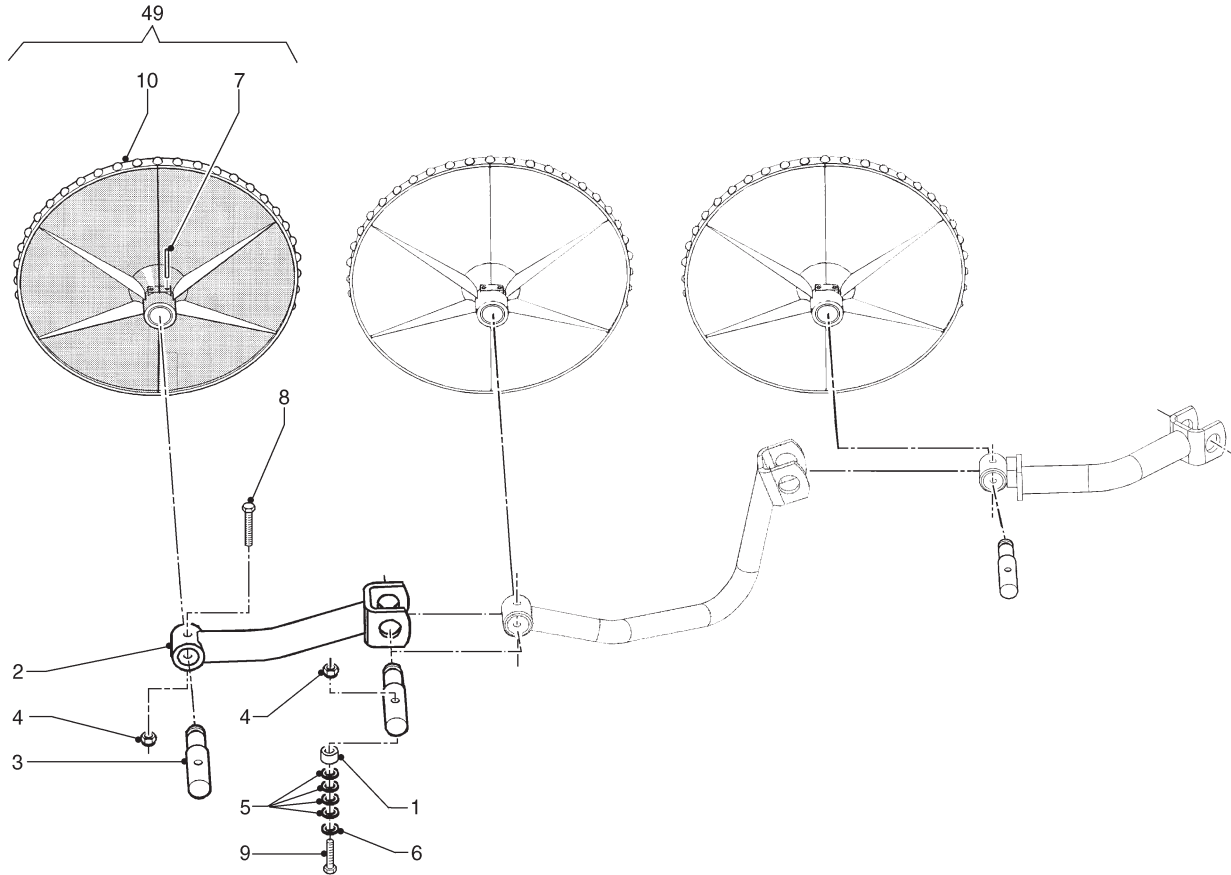
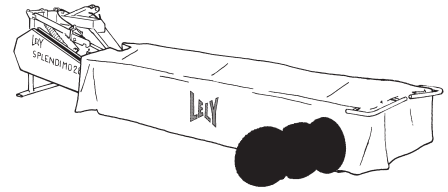
| | | |
|----|---------------|--------------------------|
| 1 | 4.1225.0580.0 | (1) |
| 2 | 4.1225.0590.0 | (1) |
| 3 | 4.1228.0130.0 | (1) |
| 4 | 4.1228.0140.0 | (1) |
| 5 | 4.1228.0494.0 | (1) |
| 6 | 4.1228.0495.0 | (2) |
| 7 | 9.1030.0004*2 | (4) M10 DIN 985-8 |
| 8 | 9.1030.0015*6 | (2) M14 DIN 985-8 |
| 9 | 9.1048.0053*5 | (8) A15 DIN 125 [] |
| 10 | 9.1057.0026.4 | (1) M10x60 DIN 912-12.9 |
| 11 | 9.1070.0042.0 | (4) Ø6x60 DIN 1481 |
| 12 | 9.1105.0011.4 | (1) K50x22,5-M10x28 |
| 13 | 9.1113.0039*3 | (2) M10x65 DIN 931-8.8 |
| 14 | 9.1113.0366.0 | (2) M14x140 DIN 931-10.9 |
| 15 | 9.1127.0015.0 | (2) |
| 48 | 4.1225.0571.0 | (1) = REF. 1-15 [L] |

| REF. | ONDERDEELNR. PART NUMBER REFERENCE TEILNUMMER | AANTAL QUANTITY QUANTITE ANZAHL |
|------|--|--|
|------|--|--|

| | | |
|----|---------------|-------------------------|
| 21 | 4.1225.0601.0 | (1) |
| 22 | 4.1228.0130.0 | (1) |
| 23 | 4.1228.0140.0 | (1) |
| 24 | 4.1228.0494.0 | (1) |
| 25 | 4.1228.0495.0 | (2) |
| 26 | 9.1029.0055.5 | (4) M16 DIN 934-10 |
| 27 | 9.1030.0004*2 | (3) M10 DIN 985-8 |
| 28 | 9.1048.0044*3 | (1) A31 DIN 125 [] |
| 29 | 9.1070.0039.4 | (1) Ø10x50 DIN 1481 |
| 30 | 9.1070.0042.0 | (4) Ø6x60 DIN 1481 |
| 31 | 9.1105.0011.4 | (1) K50x22,5-M10x28 |
| 32 | 9.1113.0039*3 | (2) M10x65 DIN 931-8.8 |
| 33 | 9.1113.0501*3 | (2) M16x65 DIN 931-10.8 |
| 34 | 9.1127.0015.0 | (2) |
| 49 | 4.1225.0651.0 | (1) = REF. 21-34 [R] |



| SPLENDIMO L | type number type number numéro de type Typnummer | vanaf serienummer as from serial number après numéro de serie ab Serienummer |
|---------------|---|---|
| 240 240 HD | 4.1230.0016.1 4.1230.0017.1 4.1230.0018.1 | 3008111 3000000 3000000 |
| 280 | 4.1229.0015.1 4.1229.0016.1 | 3008250 3000000 |
| 320 | 4.1225.0023.1 4.1225.0024.1 | 3008820 3000000 |



E101-02-04

| REF. | ONDERDEELNR. PART NUMBER REFERENCE TEILNUMMER | AANTAL QUANTITY QUANTITE ANZAHL |
|------|--|--|
|------|--|--|

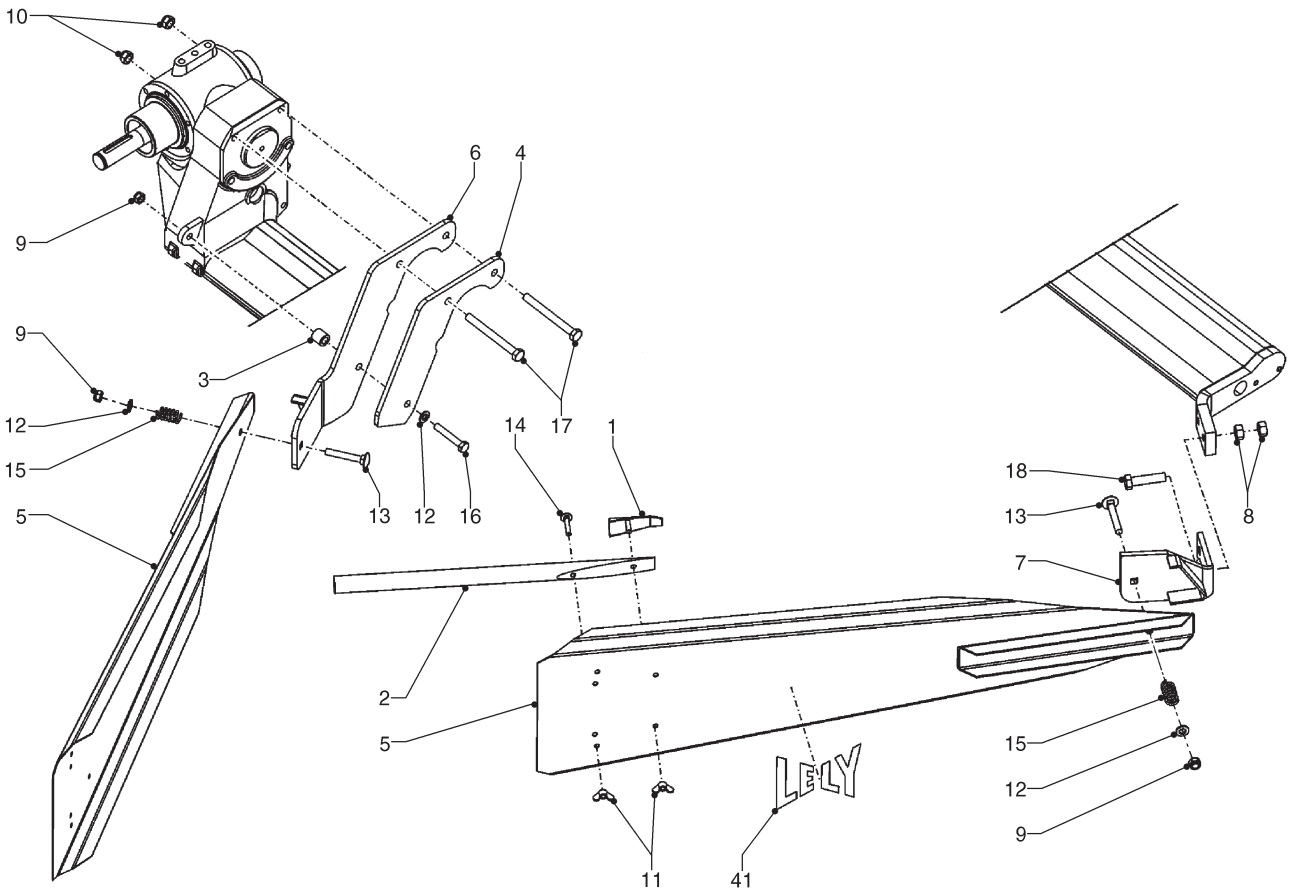
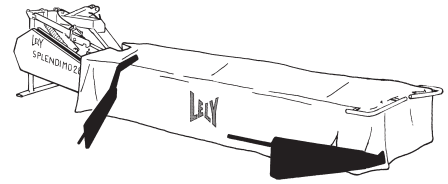
| | | |
|----|---------------|------------------------|
| 1 | 1.1625.2276.0 | (2) |
| 2 | 4.1228.0140.0 | (2) |
| 3 | 4.1228.0495.0 | (2) |
| 4 | 9.1030.0004*2 | (4) M10 DIN 985-8 |
| 5 | 9.1048.0008.2 | (8) A10,5 DIN 9021 [—] |
| 6 | 9.1048.0062.0 | (2) A10 DIN 7349 [—] |
| 7 | 9.1070.0042.0 | (4) Ø6x60 DIN 1481 |
| 8 | 9.1113.0039*3 | (2) M10x65 DIN 931-8.8 |
| 9 | 9.1113.0042*6 | (2) M10x80 DIN 931-8.8 |
| 10 | 9.1127.0015.0 | (2) |
| 49 | 4.1228.0290.0 | (1) = REF. 1-10 |

| REF. | ONDERDEELNR. PART NUMBER REFERENCE TEILNUMMER | AANTAL QUANTITY QUANTITE ANZAHL |
|------|--|--|
|------|--|--|

LELY

SPLENDIMO L

| | type nummer type number numéro de type Typnummer | vanaf serienummer as from serial number après numéro de serie ab Seriennummer |
|-----|---|--|
| 240 | 4.1230.0016.1 | 3008111 |
| 280 | 4.1229.0015.1 | 3008250 |



E082-05-00

| REF. | ONDERDEELNR. PART NUMBER REFERENCE TEILNUMMER | AANTAL QUANTITY QUANTITE ANZAHL |
|------|--|--|
|------|--|--|

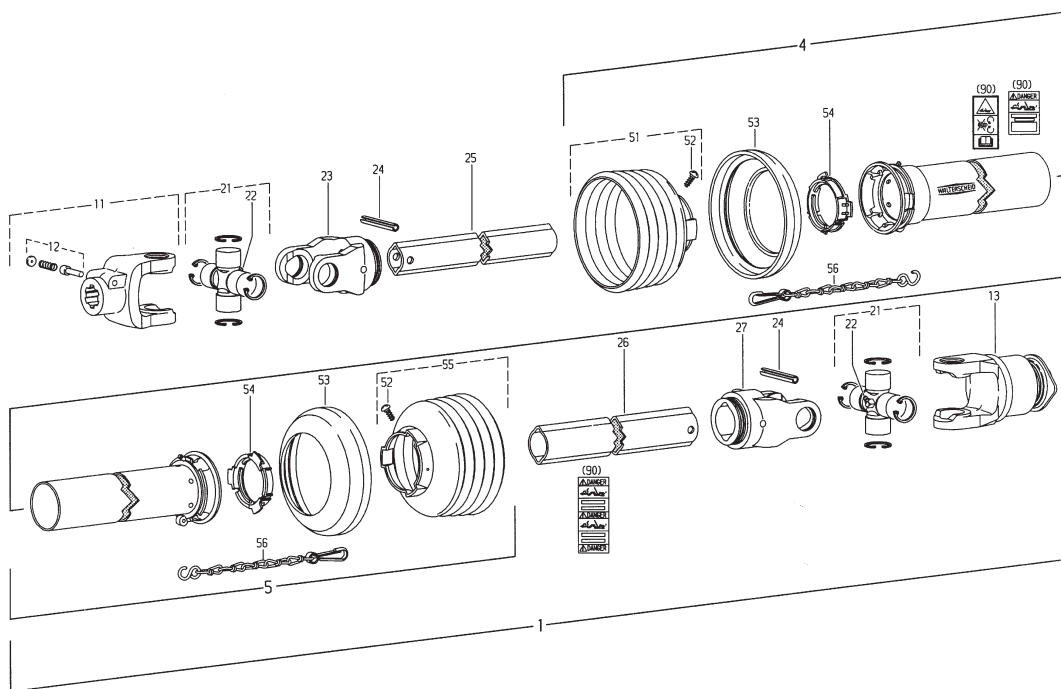
| | | | | |
|----|---------------|-----|----------------------|-----|
| 1 | 4.1201.0600.0 | (2) | | |
| 2 | 4.1201.1476.0 | (2) | | |
| 3 | 4.1230.0187.0 | (1) | | |
| 4 | 4.1230.0188.0 | (1) | | |
| 5 | 4.1230.0190.0 | (2) | | |
| 6 | 4.1230.0200.0 | (1) | | |
| 7 | 4.1260.0430.0 | (1) | | |
| 8 | 9.1029.0055.5 | (4) | M16 DIN 934-10 | |
| 9 | 9.1030.0013*4 | (3) | M12 DIN 985-8 | |
| 10 | 9.1030.0015*6 | (2) | M14 DIN 985-8 | |
| 11 | 9.1032.0002*5 | (4) | M8 DIN 315-G-5 | |
| 12 | 9.1048.0012*6 | (3) | A13 DIN 125 | [—] |
| 13 | 9.1058.0030*0 | (2) | M12x80 DIN 603 | |
| 14 | 9.1058.0035*5 | (2) | M8x45 DIN 603 | |
| 15 | 9.1090.0012.6 | (2) | | |
| 16 | 9.1113.0060*3 | (1) | M12x75 DIN 931-8.8 | |
| 17 | 9.1113.0366*0 | (2) | M14x140 DIN 931-10.9 | |
| 18 | 9.1113.0501*3 | (2) | M16x65 DIN 931-10.9 | |

| REF. | ONDERDEELNR. PART NUMBER REFERENCE TEILNUMMER | AANTAL QUANTITY QUANTITE ANZAHL |
|------|--|--|
|------|--|--|

| | | | |
|----|---------------|---|--------|
| 41 | 9.1170.0001.6 | 2 | "LELY" |
|----|---------------|---|--------|

LELY

| SPLENDIMO L | type nummer type number numéro de type Typnummer | vanaf serienummer as from serial number après numéro de serie ab Seriennummer | SPLENDIMO L | type nummer type number numéro de type Typnummer | vanaf serienummer as from serial number après numéro de serie ab Seriennummer |
|-------------|---|--|-------------|---|--|
| 165 | 4.1257.0000.1 | 10711 - 0507 | 205 HD | 4.1233.0017.1 | 3008081 |
| | 4.1257.0001.1 | 3000292 | | 205 PROFI | 4.1233.0030.1 |
| | 4.1257.0002.1 | 3007897 | 205 HD | | 4.1233.0031.1 |
| | 4.1257.0003.1 | 3000000 | | | |
| 205 | 4.1233.0010.1 | 10804 - 0535 | | | |
| | 4.1233.0011.1 | 10804 - 0553 | | | |
| | 4.1233.0012.1 | 10804 - 0535 | | | |
| | 4.1233.0013.1 | 10709 - 0526 | | | |
| | 4.1233.0014.1 | 10806 - 0511 | | | |
| | 4.1233.0015.1 | 10703 - 0501 | | | |
| | 4.1233.0016.1 | 3007932 | | | |



Ew001-08-01

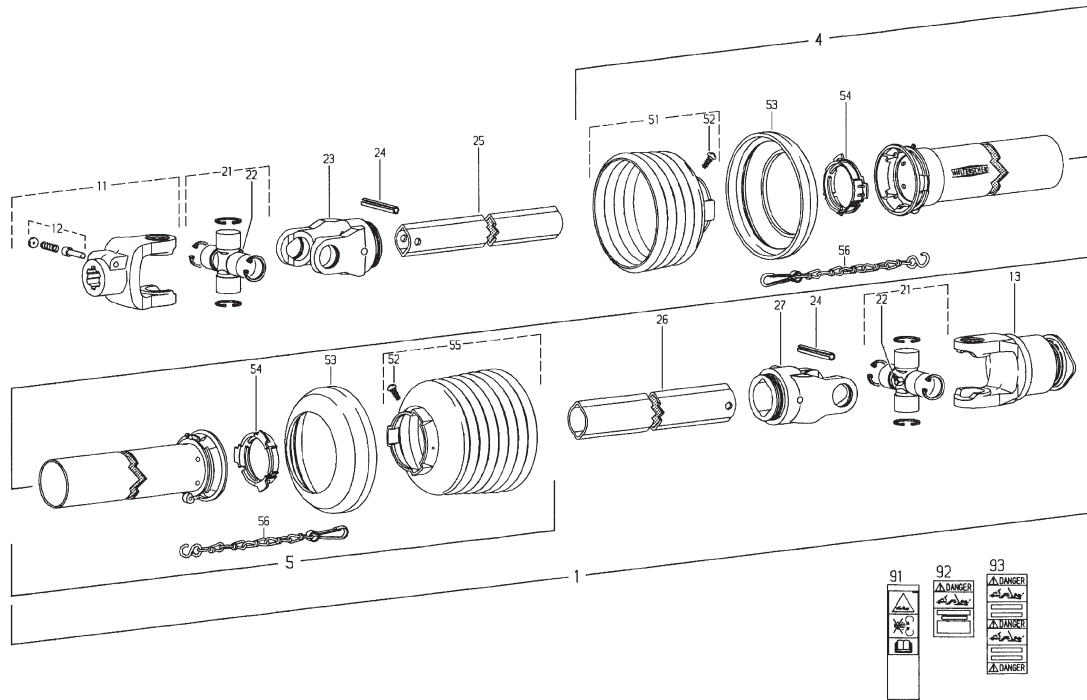
| REF. | ONDERDEELNR. PART NUMBER REFERENCE TEILNUMMER | AANTAL QUANTITY QUANTITE ANZAHL | |
|------|--|--|--|
|------|--|--|--|

| | | | |
|----|---------------|---|--|
| 1 | 9.1154.0082.5 | 1 | W2300-SD15SW-860-F5/1R = REF. 11-90 |
| 4 | 85.135 | 1 | SDH15SW-A670-RP12-K |
| 5 | 85.134 | 1 | SDH15SW-J660-RP12-K |
| 11 | 21.10.00 | 1 | AG2300-1.3/8" (6) |
| 12 | 33.91.07 | 1 | AGRASET 101 |
| 13 | 56.141.40 | 1 | F5/1R-2300-1.3/8" (6)ZV |
| 21 | 21.00.00 | 2 | |
| 22 | 63.27.00 | 2 | BM 8x1 |
| 23 | 21.11.00 | 1 | RG2300-Ov |
| 24 | 9.1070.0028.0 | 2 | Ø10x65 DIN 1481 |
| 25 | 75.11.96 | 1 | OvGA-740 |
| 26 | 75.16.16 | 1 | 1G-725 |
| 27 | 21.12.00 | 1 | RG2300-1 |
| 51 | 85.15.35 | 1 | n= 5 |
| 52 | 60.15.00 | 2 | 4x10 |
| 53 | 82.85.00 | 2 | |
| 54 | 82.83.06 | 2 | |
| 55 | 85.15.36 | 1 | n= 6 |
| 56 | 82.36.03 | 2 | |
| 90 | 11.87.45 | 1 | AGRASET 207 |

| REF. | ONDERDEELNR. PART NUMBER REFERENCE TEILNUMMER | AANTAL QUANTITY QUANTITE ANZAHL | |
|------|--|--|--|
|------|--|--|--|

LELY

| SPLENDIMO L | type number type number numéro de type Typnummer | vanaf serienummer as from serial number après numéro de serie ab Seriennummer | SPLENDIMO L | type number type number numéro de type Typnummer | vanaf serienummer as from serial number après numéro de serie ab Seriennummer |
|-------------|---|--|---------------|---|--|
| 240 | 4.1230.0009.1 | 3000000 | 280 | 4.1229.0010.1 | 3001230 |
| | 4.1230.0011.1 | 10804 - 0546 | | 4.1229.0011.1 | 10803 - 0702 |
| | 4.1230.0012.1 | 10806 - 0834 | | 4.1229.0012.1 | 3000000 |
| | 4.1230.0013.1 | 3000000 | | 4.1229.0013.1 | 3000000 |
| | 4.1230.0014.1 | 3000915 | | 4.1229.0014.1 | 10703 - 0501 |
| | 4.1230.0015.1 | 10703 - 0501 | | 4.1229.0015.1 | 3008250 |
| 240 HD | 4.1230.0016.1 | 3008111 | 320 | 4.1229.0016.1 | 3000000 |
| | 4.1230.0017.1 | 3000000 | | 4.1225.0020.1 | 3000751 |
| | 4.1230.0018.1 | 3000000 | | 4.1225.0021.1 | 10805 - 0688 |
| 240 HD | 4.1230.0030.1 | 3010172 | 4.1225.0022.1 | 3000000 | |
| | | | 4.1225.0023.1 | 3008820 | |
| | | | 4.1225.0024.1 | 3000000 | |



Ew001-06-02

| REF. | ONDERDEELNR. PART NUMBER REFERENCE TEILNUMMER | AANTAL QUANTITY QUANTITE ANZAHL | |
|------|--|--|--|
|------|--|--|--|

| | | | |
|----|---------------|---|--|
| 1 | 9.1154.0209.6 | 1 | W2400-SD25SW-860-F5/1R = REF. 11-93 |
| 4 | 85.235 | 1 | SDH25SW-A645-RP7-K |
| 5 | 85.234 | 1 | SDH25SW-J640-RP12-K |
| 11 | 35.10.00 | 1 | AG2400-1.3/8" (6) |
| 12 | 33.91.07 | 1 | AGRASET 101 |
| 13 | 56.144.40 | 1 | F5/1R-2400-1.3/8" (6) ZV |
| 21 | 35.00.00 | 2 | |
| 22 | 63.27.00 | 2 | BM8x1 |
| 23 | 35.13.00 | 1 | RG2400-1b |
| 24 | 61.05.08 | 2 | Ø10x80 DIN 1481 |
| 25 | 75.25.95 | 1 | 1bGA-740 |
| 26 | 75.36.15 | 1 | 2aG-715 |
| 27 | 35.14.00 | 1 | RG2400-2a |
| 51 | 85.25.36 | 1 | n= 6 |
| 52 | 60.15.00 | 2 | 4x10 |
| 53 | 82.85.00 | 2 | |
| 54 | 82.83.04 | 2 | |
| 55 | 85.25.38 | 1 | n= 8 |
| 56 | 82.36.03 | 2 | 400 |
| 91 | 16.61.175 | 1 | |
| 92 | 16.61.163 | 1 | |
| 93 | 16.61.162 | 1 | |

| REF. | ONDERDEELNR. PART NUMBER REFERENCE TEILNUMMER | AANTAL QUANTITY QUANTITE ANZAHL | |
|------|--|--|--|
|------|--|--|--|