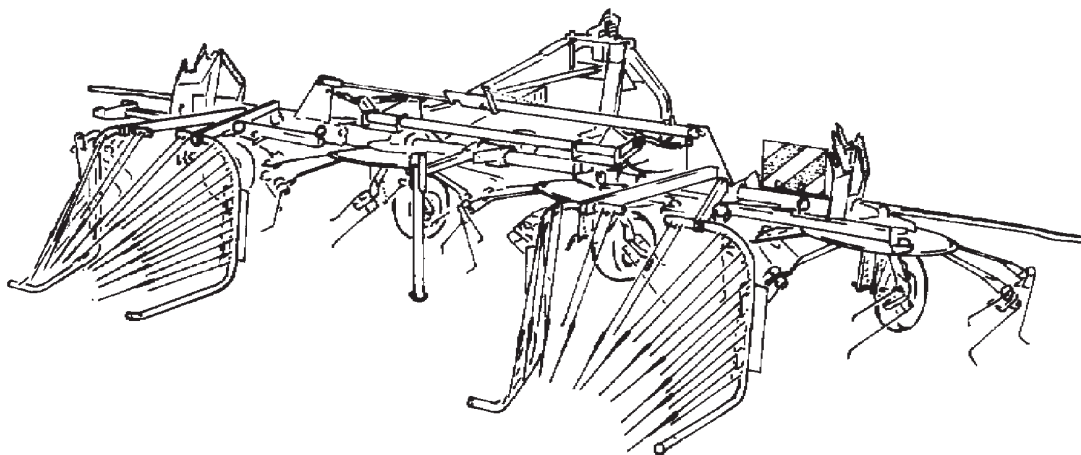


LELY

HIGH - TECH
IN AGRICULTURE

ONDERDELENLIJST
PARTS LIST
LISTE DE PIECES DE RECHANGE
ERSATZTEILLISTE

LOTUS 600 STABILO COMBI



LOTUS	type nummer type number numéro de type Typennummer	vanaf serienummer as from serial number après numéro série ab Seriennummer
STABILO-COMBI 600	4.1046.0020.1 4.1046.0021.1	3009401 0003051409



ONDERDELEN

Bij het bestellen van onderdelen is het belangrijk dat u het type- en serienummer van uw machine opgeeft. Gebruik alleen originele LELY-onderdelen.

SPARE PARTS

When ordering spare parts, it is important that you indicate the type and serial number of your machine.

Use only genuine LELY parts.

PIECES DE RECHANGE

En commandant des pièces de rechange il importe que vous indiquiez les numéros de type et de série de votre machine.

N'utiliser que des pièces d'origines LELY.

ERSATZTEILE

Beim Bestellen von Ersatzteilen ist es wichtig, daß Sie die Typ- und Seriennummer Ihrer Maschine angeben.

Nur Original-LELY-Ersatzteile verwenden.

Typ- und Seriennummer in nebenstehende Abbildung eintragen. Bei künftigen Bestellungen haben Sie die Nummer dann griffbereit.

Vul het type- en serienummer hieronder in.

Bij toekomstige onderdelenbestellingen heeft u de nummers dan bij de hand.

Complete the box below with the type and serial number.

This is an easy reference with a view to future spare parts ordering.

Veillez noter, ci-dessous, les numéros de type et de série.

Ceci est important pour toutes commandes de pièces de rechange.

LELY	LELY INDUSTRIES NV		CE
	3147 PA MAASSLUIS THE NETHERLANDS		
		kg	
Type			
Ser.Nr.			

Verklaring van de in de onderdelenlijst gebruikte tekens.

Explanation of signs used in the parts list.

Explication des signes qui figurent dans la liste des pièces.

Erklärung der in der Ersatzteilliste verwendeten Zeichen.

[R] = RECHTSE UITVOERING
RH VERSION

[L] = LINKSE UITVOERING
LH VERSION

Onder rechtse of linkse uitvoering wordt de plaats van het onderdeel verstaan, gezien van de achterzijde van de machine.

By RH or LH version the position of the part is meant, seen from the rear of the machine

[RD] = RECHTSOM DRAAIENDE UITVOERING
RH ROTATING VERSION

[LD] = LINKSOM DRAAIENDE UITVOERING
LH ROTATING VERSION

Onder rechtson of linksom draaiende uitvoering wordt de draairichting van het onderdeel verstaan, gezien van de bovenzijde van de machine.

By RH or LH rotating version the sense of rotating of the part is meant, seen from the top of the machine.

[x] = ONDERDEEL WORDT NIET GETOOND
PART IS NOT SHOWN

Bijvoorbeeld linkse uitvoering overeenkomstig de wel getekende rechtse uitvoering.

E.g. : LH version is similar to the RH version, which is actually shown.

[#] = NIET LOS LEVERBAAR
NOT AVAILABLE SEPARATELY

~ = AANTAL (INDIEN NODIG) AFHANKELIJK VAN INBOUWMAAT
QUANTITY (IF APPLICABLE) DEPENDING UPON ASSEMBLY

[—] = SLUITRING

[—/—] = VEERRING

[####] = TANDVEERRING

[>|<] = OLIEKEERRING

[T+T] = TANDWIELSET

[D+D] = VULRINGSET

[A+A] = SET AFDICHTINGSRINGEN

WASHER

SPRING WASHER

SHAKE-PROOF WASHER

OIL SEAL

PAIR OF GEARS

SHIM SET

SET OF SEALING RINGS

VERSION DROITE
RECHTE AUSFÜHRUNG

VERSION GAUCHE
LINKE AUSFÜHRUNG

Par version droite ou gauche on entend la position de la pièce, vue de l'arrière de la machine.

Die Verweisungen "rechte Ausführung" oder "linke Ausführung" geben die Position des Teils, von der Hinterseite der Maschine aus gesehen, an.

VERSION ROTATION A DROITE
RECHTSUMDREHENDE AUSFÜHRUNG

VERSION ROTATION A GAUCHE
LINKSUMDREHENDE AUSFÜHRUNG

Version rotation à droit: ceci correspond au sens de rotation de la pièce, vue du dessus la machine.

Mit diesen Verweisungen wird die Drehrichtung des Teils von der Oberseite der Maschine aus gesehen, angegeben.

PIECE N'EST PAS MONTREE
TEIL WIRD NICHT GEZEIGT

Exemple : la version gauche est représentée. La version droite correspond à la version gauche, mais n'est pas représentée.

Beispiel : die linke Ausführung entspricht der effektiv gezeigten Rechten.

VENDU EN KIT UNIQUEMENT
NICHT SEPARAT LIEFERBAR

QUANTITE (SI NÉCESSAIRE) EN FONCTION DU MONTAGE
ANZAHL VOM EINBAUMASS ABHÄNGIG (WENN ERFORDERLICH)

RONDELLE PLATE

RONDELLE GROWER

RONDELLE EVENTAIL

ETANCHEITE

JEU D'ENGRENAGES

JEU D'EPAISSEURS

JEU D'ANNEAUX D'ETANCHEITE

UNTERLEGSCHIEBE

FEDERRING

RÄNDELFEDEERING

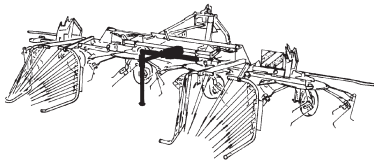
ÖLDICHTUNGSRING

ZAHNRÄDERSATZ

PASSSCHEIBENSATZ

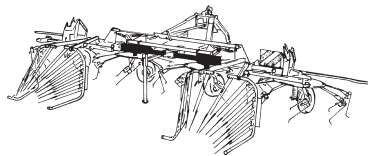
DICHTUNGSRINGENSATZ

LOTUS 600 STABILO COMBI



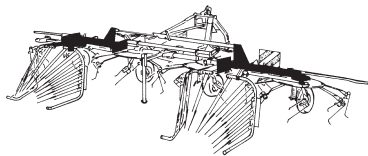
Centrale aandrijving (midden)
Central drive (center)
Entraînement central (centre)
Zentralantrieb (Mitte)

01



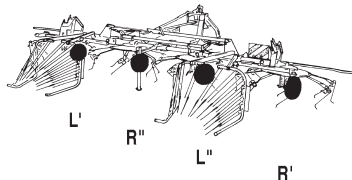
Aandrijving wielpoot (midden)
Wheel axle drive (center)
Entraînement support-roue (centre)
Antrieb Radstütze (Mitte)

02



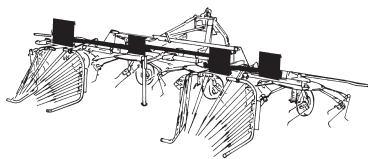
Aandrijving wielpoot (buiten)
Wheel axle drive (outside)
Entraînement support-roue (extérieur)
Antrieb Radstütze (Außen)

03



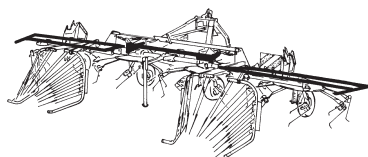
Loopwielen
Support wheels
Roues de support
Stützräder

04+05



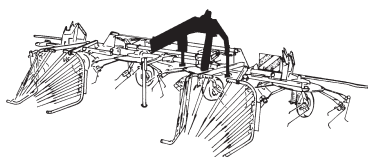
Beschermbougels (midden)+verlichting
Protection brackets (center)+lighting
Arceaux projecteurs (centre)+éclairage
Schutzbügel (Mitte)+Beleuchtung

06



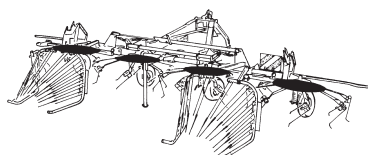
Beschermbougels (buiten)
Protection brackets (outside)
Arceaux projecteurs (extérieur)
Schutzbügel (Außen)

07



Naloopbok
Self steering headstock
Dispositif pivotant
Nachlaufbock

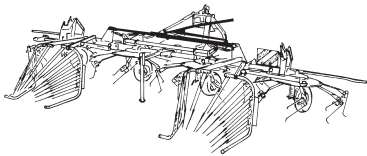
08



Rotoren
Rotors
Rotors
Rotoren

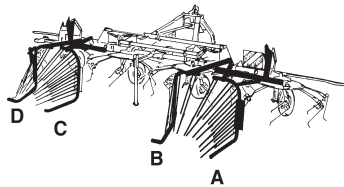
09

LOTUS 600 STABILO COMBI



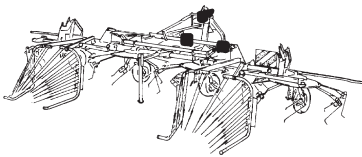
Hydraulische cilinder
Hydraulic ram
Vérin hydraulique
Hydraulikzylinder

10



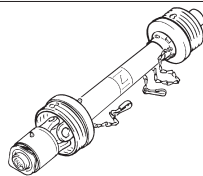
Wiersborden
Deflectors
Planches à andain
Schwadbretter

11



Ophangstuk + verlengset
Linkage piece + extension kit
Pièce d'attelage + kit de rallongement
Aufhängeteil + Verlängerungssatz

12

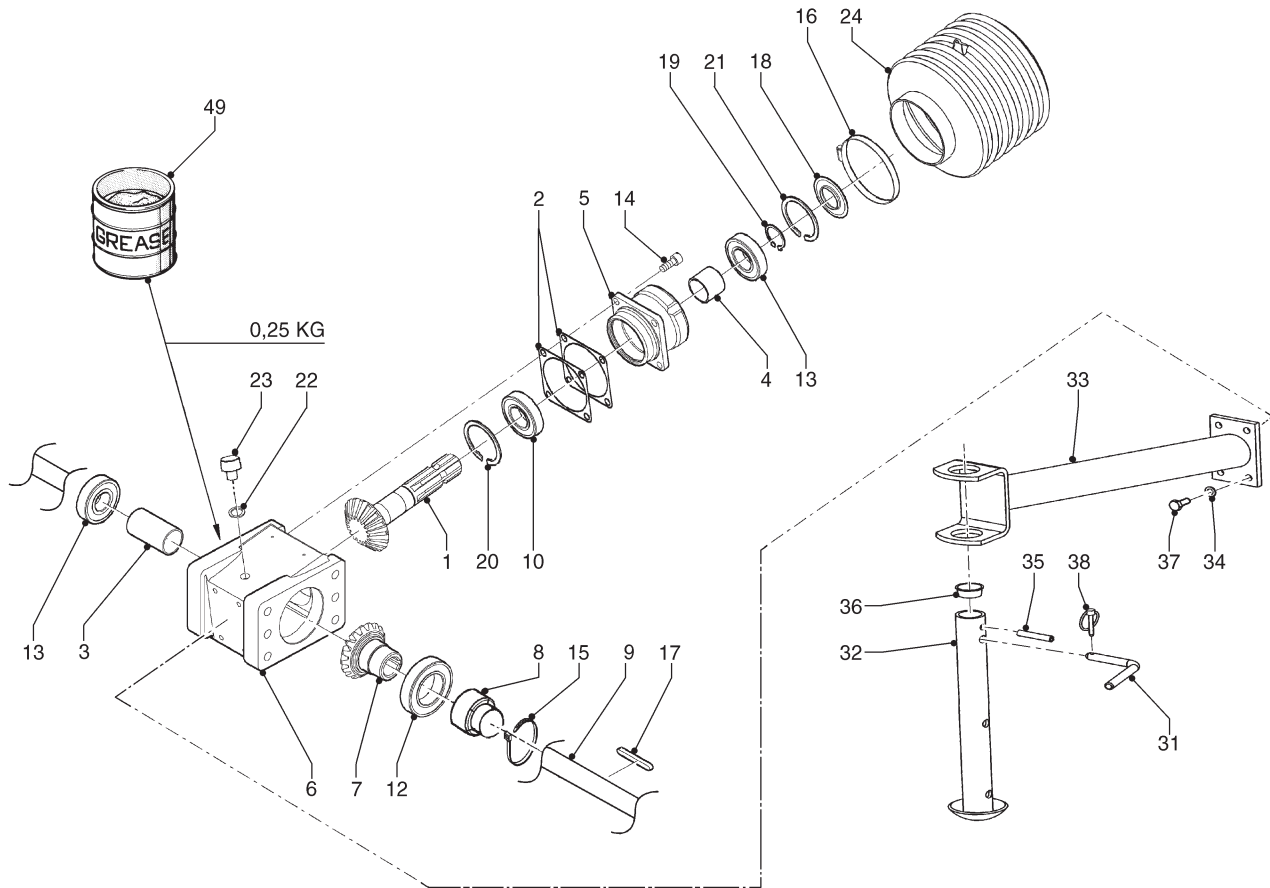
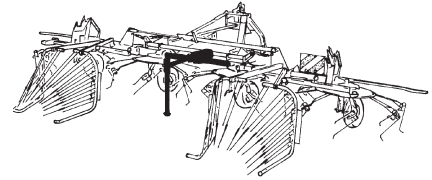


Koppelingsas
PTO shaft
Arbre de transmission
Gelenkwelle

13

LELY

LOTUS	type number type number numéro de type Typnummer	vanaf serienummer as from serial number après numéro de serie ab Seriennummer
STABILO-COMBI 600	4.1046.0020.1 4.1046.0021.1	3009401 0003051409



B212.02.02

REF.	ONDERDEELNR. PART NUMBER REFERENCE TEILNUMMER	AANTAL QUANTITY QUANTITE ANZAHL
------	--------------------------------------------------------	------------------------------------------

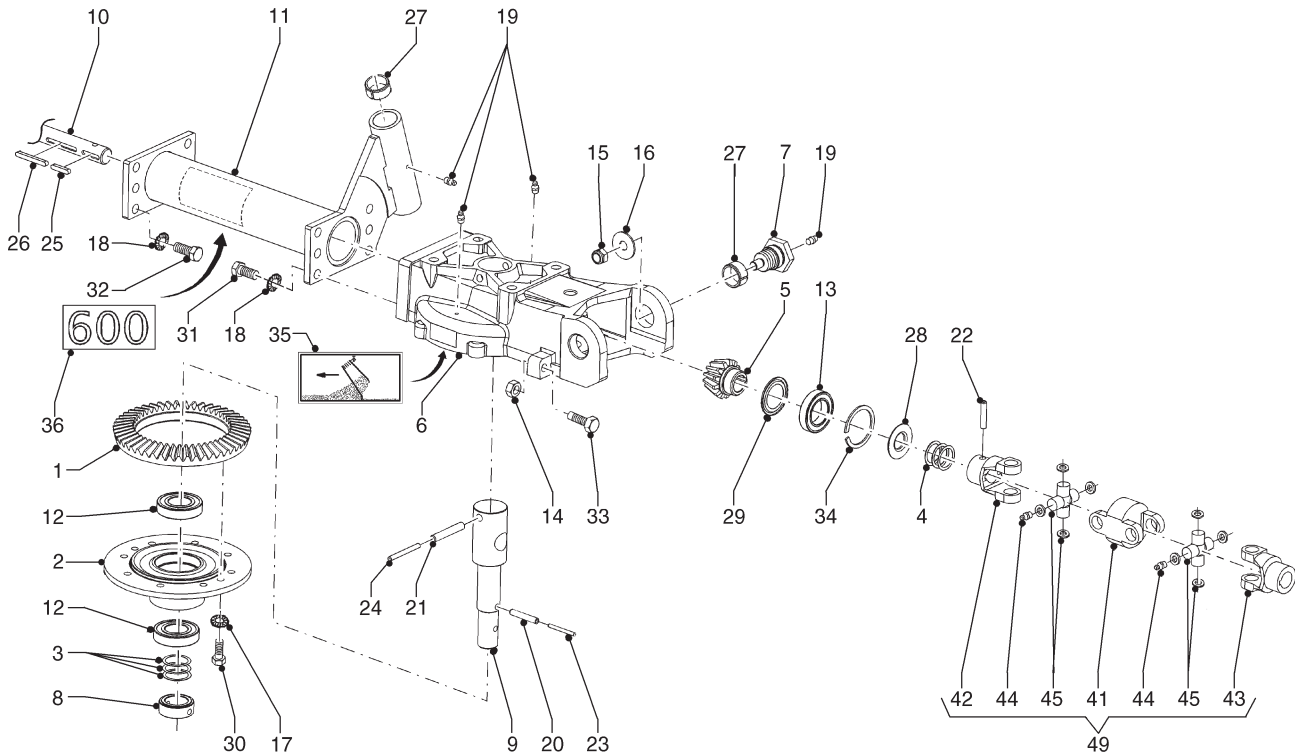
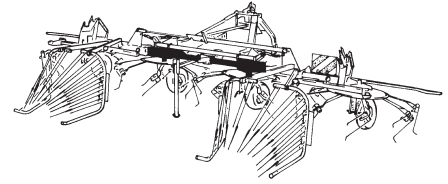
1	4.1016.0194.0	1
2	4.1016.2338.0	2 0,15 mm
3	4.1016.2339.0	1
4	4.1043.0636.0	1
5	4.1043.0637.0	1
6	4.1043.0638.0	1
7	4.1043.0648.0	1 Z=17
8	4.1046.0245.0	1
9	4.1046.0249.0	1 = REF. 10 Pag. 02
10	9.1001.0025.3	1 6207 2RS
11	9.1001.0056.6	1 6307-2RS1
12	9.1001.0059.2	1 6210 2RS1
13	9.1001.0137.3	1 6306-2RS1-C3
14	9.1057.0010.2	4 M10x25 DIN 912-12.9
15	9.1066.0001.5	1 D23-D30
16	9.1066.0006*3	1 Ø93-110
17	9.1071.0048.5	1 A8x7x70 DIN 6885
18	9.1106.0016.1	1 Z 307
19	9.1119.0009.2	1 35x1,50 DIN 471
20	9.1120.0009.1	1 72x2,50 DIN 472
21	9.1120.0011.3	1 80x2,50 DIN 472
22	9.1137.0410.0	1 17,28x23,80x2,03 [—]
23	9.1150.0017.0	1 M16x1,5 SW17
24	9.1161.0009.2	1

REF.	ONDERDEELNR. PART NUMBER REFERENCE TEILNUMMER	AANTAL QUANTITY QUANTITE ANZAHL
------	--------------------------------------------------------	------------------------------------------

31	4.1016.0298.0	1
32	4.1033.0700.0	1
33	4.1046.0430.0	1
34	9.1051.0002.0	4 A10,5 DIN 6798 [####]
35	9.1070.0028.0	1 Ø10x60 DIN 1481
36	9.1108.0049.5	1 Ø33,6
37	9.1113.0150*2	4 M10x35 DIN 933-10.9
38	9.1123.0003*6	1 Ø6
49	9.1171.0038.0	(0,25 kg) 0,095 kg ALVANIA WR-0 (Tube)
	9.1171.0039.1	(0,25 kg) 1 kg ALVANIA WR-0
	9.1171.0040.2	(0,25 kg) 5 kg ALVANIA WR-0
	9.1171.0041.3	(0,25 kg) 10 kg ALVANIA WR-0

LELY

LOTUS	type number type number numéro de type Typnummer	vanaf serienummer as from serial number après numéro de serie ab Seriennummer
STABILO-COMBI 600	4.1046.0020.1 4.1046.0021.1	3009401 0003051409



B213.02.03

REF.	ONDERDEELNR. PART NUMBER REFERENCE TEILNUMMER	AANTAL QUANTITY QUANTITE ANZAHL	
------	--------------------------------------------------------	------------------------------------------	--

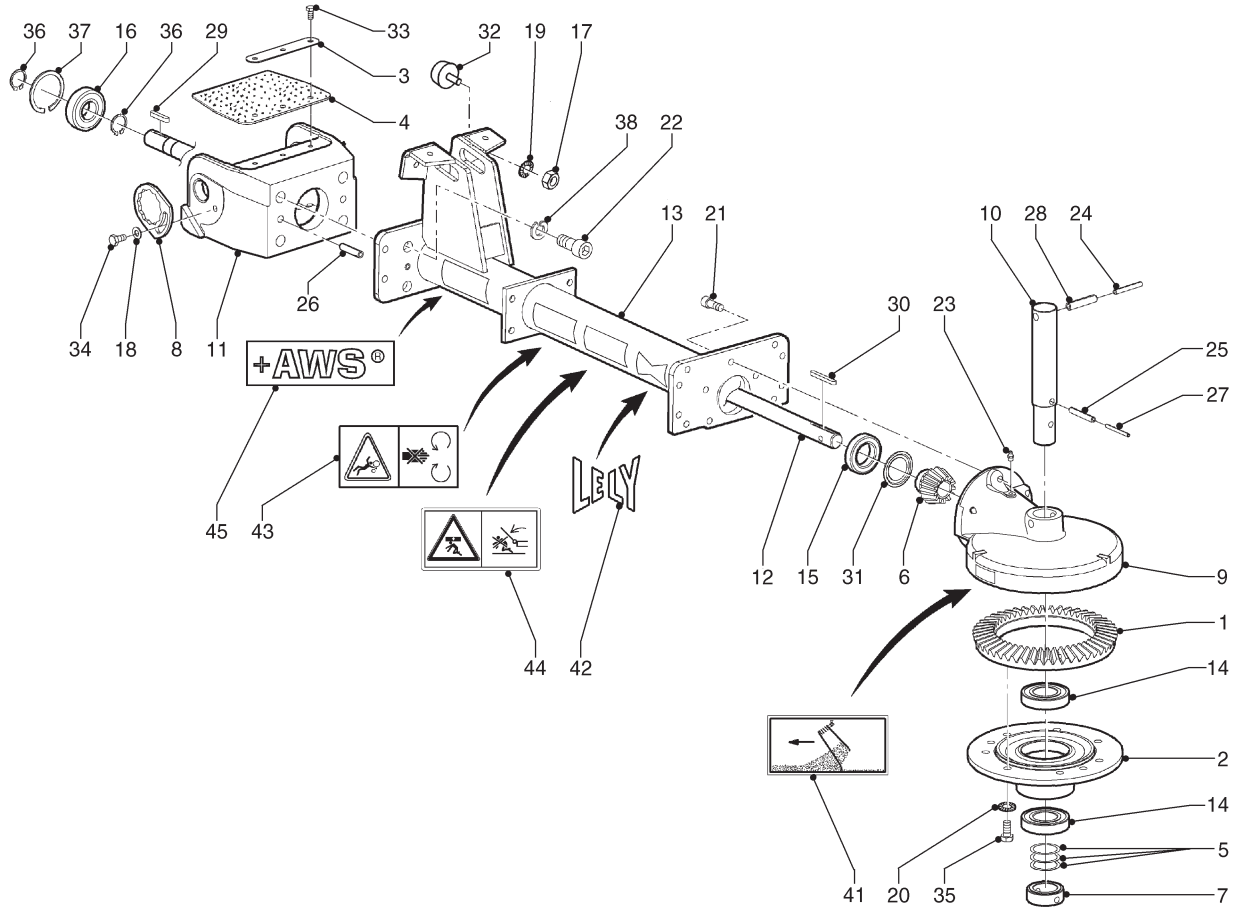
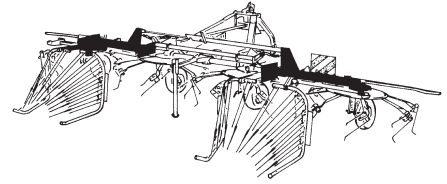
1	4.1015.0149.0	2	Z=48
2	4.1016.0809.0	2	
3	4.1043.0628.0	~	[D+D] []
4	4.1043.0629.0	~	[D+D] []
5	4.1043.0639.0	2	Z=13
6	4.1043.0642.0	2	
7	4.1043.0643.0	4	
8	4.1043.0645.0	2	
9	4.1043.0647.0	2	
10	4.1046.0249.0	1	= REF. 9 Pag. 01
11	4.1046.0252.0	1	[R]
	4.1046.0271.0	1	[L][x]
12	9.1001.0015.0	4	6208 2RS1
13	9.1001.0065.1	2	6009 2RS1-C5L
14	9.1029.0013*5	4	M16 DIN 934-8
15	9.1030.0014*5	4	M16 DIN 985-8
16	9.1048.0064*2	4	A17 DIN 9021 []
17	9.1051.0003.1	4	A12,5 DIN 6798 [####]
18	9.1051.0004.2	24	A16,5 DIN 6798 [####]
19	9.1068.0007*2	10	AM8x1,25
	9.1171.0077.4	~	BIOMULTIS SEP 2
20	9.1070.0028.0	2	Ø10x60 DIN 1481
21	9.1070.0032.4	2	Ø8x80 DIN 1481
22	9.1070.0039.4	2	Ø10x50 DIN 1481
23	9.1070.0042.0	2	Ø6x60 DIN 1481
24	9.1070.0051.2	2	Ø13x80 DIN 1481
25	9.1071.0011.3	2	A8x7x40 DIN 6885

REF.	ONDERDEELNR. PART NUMBER REFERENCE TEILNUMMER	AANTAL QUANTITY QUANTITE ANZAHL	
------	--------------------------------------------------------	------------------------------------------	--

26	9.1071.0048.5	2	A8x7x70 DIN 6885
27	9.1077.0001.1	4	35/43x20 DIN 988
28	9.1106.0027.5	2	Z306
29	9.1107.0008.6	2	6009 ZAV
30	9.1113.0049*6	4	M12x25 DIN 933-8.8
31	9.1113.0111*5	12	M16x45 DIN 933-8.8
32	9.1113.0122*2	12	M16x40 DIN 933-8.8
33	9.1113.0281*0	4	M16x60 DIN 933-8.8
34	9.1120.0026.4	2	Ø75x3,0 DIN 472
35	9.1170.0017.1	1	[RD] Geel-Yellow-Jaune-Gelb
	9.1170.0089.3	1	[LD][x] Blauw-Blue-Bleu-Blau
36	9.1170.0493.1	1	"600"
	9.1170.0492.0	1	"LOTUS"[x]
41	4.1016.0078.0	1(2x)	
42	4.1017.0077.0	1(2x)	
43	4.1017.0079.0	1(2x)	
44	9.1068.0017.5	2(2x)	AM6
45	9.1160.0004.5	1(2x)	Cpl.
49	4.1033.0291.0	2	= REF. 41-45

LELY

LOTUS	type number type number numéro de type Typnummer	vanaf serienummer as from serial number après numéro de serie ab Seriennummer
STABILO-COMBI 600	4.1046.0020.1 4.1046.0021.1	3009401 0003051409



B218.02.03

REF.	ONDERDEELNR. PART NUMBER REFERENCE TEILNUMMER	AANTAL QUANTITY QUANTITE ANZAHL		
------	--------------------------------------------------------	------------------------------------------	--	--

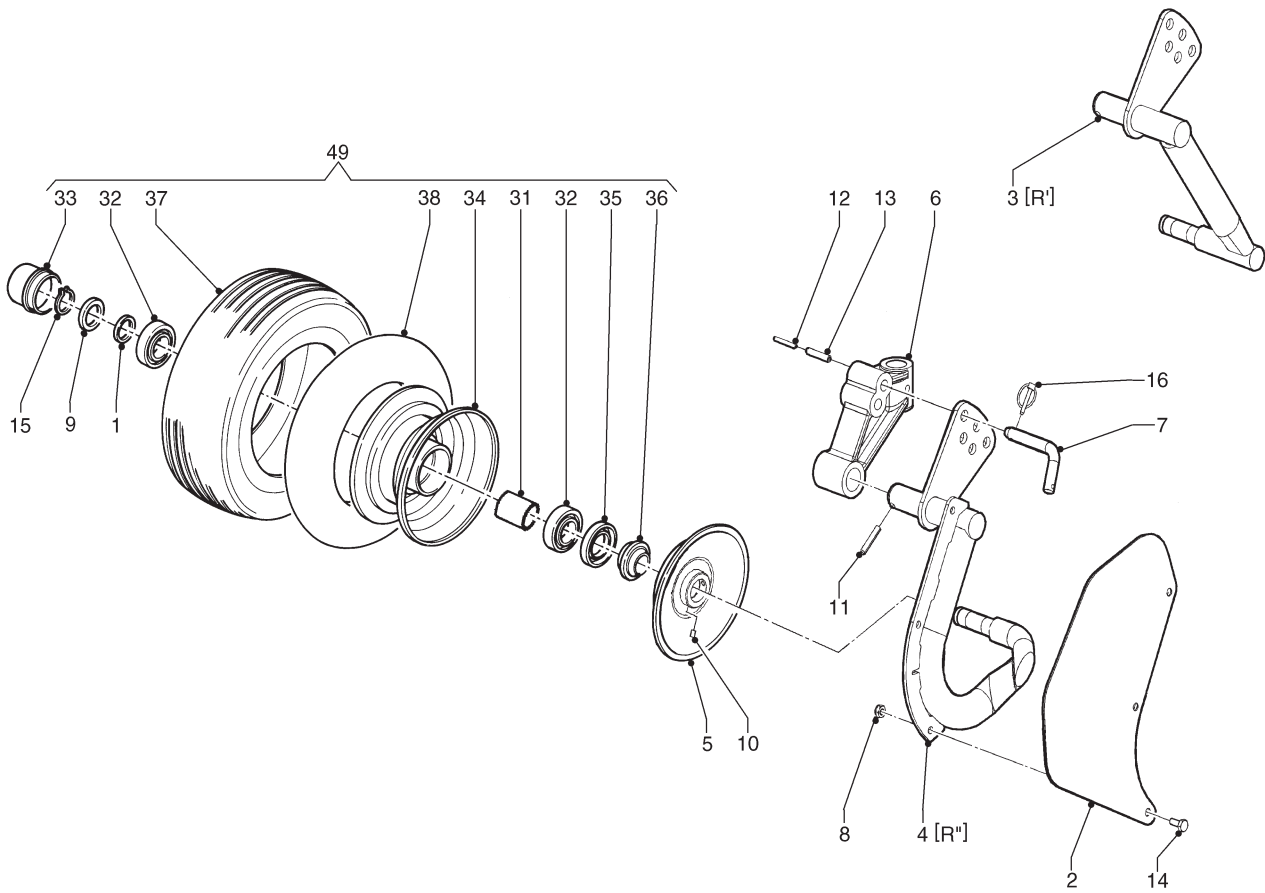
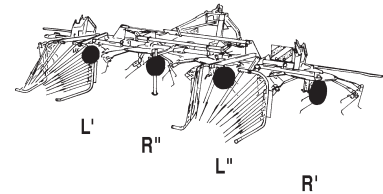
1	4.1015.0149.0	2	Z=48	
2	4.1016.0809.0	2		
3	4.1043.0246.0	2		
4	4.1043.0335.0	2		
5	4.1043.0628.0	~	[D+D]	[—]
6	4.1043.0639.0	2	Z=13	
7	4.1043.0645.0	2		
8	4.1043.0718.0	4		
9	4.1043.0766.0	2		
10	4.1043.0767.0	2		
11	4.1043.0802.0	2		
12	4.1046.0349.0	2		
13	4.1046.0351.0	2		
14	9.1001.0015.0	4	6208-2RS1	
15	9.1001.0065.1	2	6009 2RS1-C5L	
16	9.1001.0137.3	2	6306-2RS1-C3	
17	9.1029.0005*4	4	M10 DIN 934-8	
18	9.1048.0007*1	4	Ø10,5 DIN 125	[—]
19	9.1051.0002.0	4	A10,5 DIN 6798	[####]
20	9.1051.0003.1	4	A12,5 DIN 6798	[####]
21	9.1057.0014.6	10	M12x35 DIN 912-12.9	
22	9.1057.0094.2	8	M20x45 DIN 912-12.9	
23	9.1068.0007*2	2	AM8x1,25	
	9.1171.0077.4	~	BIOMULTIS SEP 2	
24	9.1070.0024.3	2	Ø8x60 DIN 1481	

REF.	ONDERDEELNR. PART NUMBER REFERENCE TEILNUMMER	AANTAL QUANTITY QUANTITE ANZAHL		
------	--------------------------------------------------------	------------------------------------------	--	--

25	9.1070.0028.0	2	Ø10x60 DIN 1481	
26	9.1070.0030.2	4	Ø12x50 DIN 1481	
27	9.1070.0042.0	2	Ø6x60 DIN 1481	
28	9.1070.0078.1	2	Ø13x60 DIN 1481	
29	9.1071.0012.4	2	A8x7x45 DIN 6885	
30	9.1071.0048.5	2	A8x7x70 DIN 6885	
31	9.1107.0008.6	2	6009 ZAV	
32	9.1105.0011.4	4		
33	9.1113.0013*5	6	M8x16 DIN 933-8.8	
34	9.1113.0027*5	4	M10x20 DIN 933-8.8	
35	9.1113.0049*6	4	M12x25 DIN 933-8.8	
36	9.1119.0017.3	4	Ø30x2,00 DIN 471	
37	9.1120.0009.1	2	Ø72x2,5 DIN 472	[—]
38	9.1121.0014*5	8	A20 DIN 127	[—]
41	9.1170.0089.3	1	[LD] Blauw-Blue-Bleu-Blau	
	9.1170.0017.1	1	[RD][x] Geel-Yellow-Jaune-Gelb	
42	9.1170.0200.2	2	"LELY"	
43	9.1170.0407.6	2		
44	9.1170.0420.5	2		
45	9.1170.0446.3	1	"+AWS"	

LELY

LOTUS	type number type number numéro de type Typnummer	vanaf serienummer as from serial number après numéro de serie ab Seriennummer
STABILO-COMBI 600	4.1046.0020.1	3009401



B211.02.01

REF.	ONDERDEELNR. PART NUMBER REFERENCE TEILNUMMER	AANTAL QUANTITY QUANTITE ANZAHL
------	--------------------------------------------------------	------------------------------------------

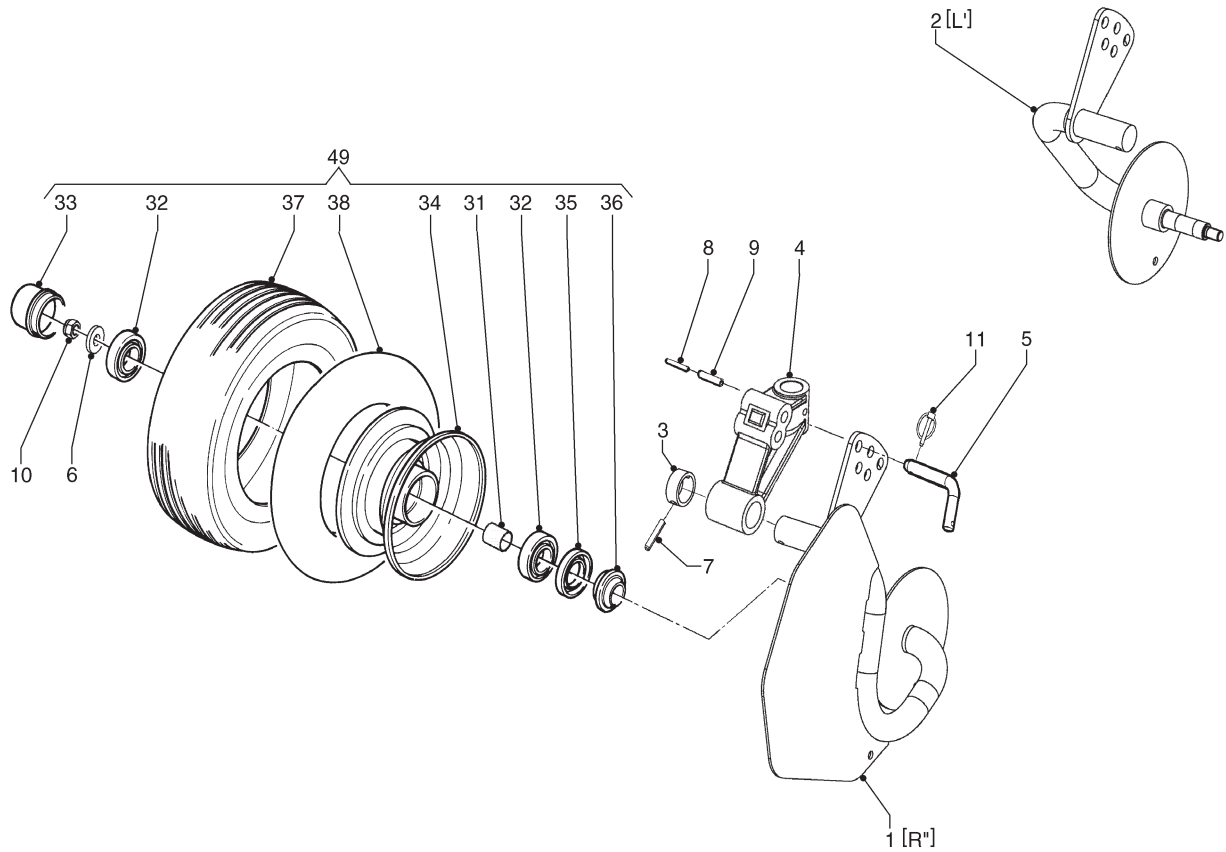
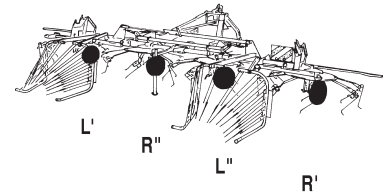
1	4.1011.0066.0	4
2	4.1033.0917.0	2
3	4.1033.0940.0	1 [R"]
	4.1033.0990.0	1 [L"][x]
4	4.1033.0960.0	1 [R"]
	4.1033.0950.0	1 [L"][x]
5	4.1033.0980.0	4
6	4.1046.0499.0	4
7	4.1241.1921.0	4
8	9.1030.0004*2	6 M10 DIN 985-8
9	9.1052.0007*4	4 S25x35x2,0 DIN 988
10	9.1063.0016*2	8 M8x10 DIN 916
11	9.1070.0039.4	4 Ø10x50 DIN 1481
12	9.1070.0056.0	4 Ø6x55 DIN 1481
13	9.1070.0057.1	4 Ø10x55 DIN 1481
14	9.1113.0029*0	6 M10x25 DIN 933-8.8
15	9.1119.0022.1	4 25x2-06 DIN 471
16	9.1123.0003*6	4 Ø6

REF.	ONDERDEELNR. PART NUMBER REFERENCE TEILNUMMER	AANTAL QUANTITY QUANTITE ANZAHL
------	--------------------------------------------------------	------------------------------------------

31	4.1033.0929.0	1(4x)
32	9.1001.0081.3	2(4x) 6205 2RS1
33	9.1041.0104.0	1(4x) Ø52x32
34	9.1102.0024.6	1(4x) 5,50Ax8 (34= 31-36)
35	9.1106.0014.6	1(4x)
36	9.1106.0015.0	1(4x)
37	9.1110.0023.4	1(4x) 16x6.50-8 6 ply
38	9.1111.0017.4	1(4x) 16x6.50-8
49	4.1033.0920.0	4 = REF. 31-38

LELY

LOTUS	type number type number numéro de type Typnummer	vanaf serienummer as from serial number après numéro de serie ab Seriennummer
STABILO-COMBI 600	4.1046.0021.1	0003051409



B211.03.00

REF.	ONDERDEELNR. PART NUMBER REFERENCE TEILNUMMER	AANTAL QUANTITY QUANTITE ANZAHL	
------	--------------------------------------------------------	------------------------------------------	--

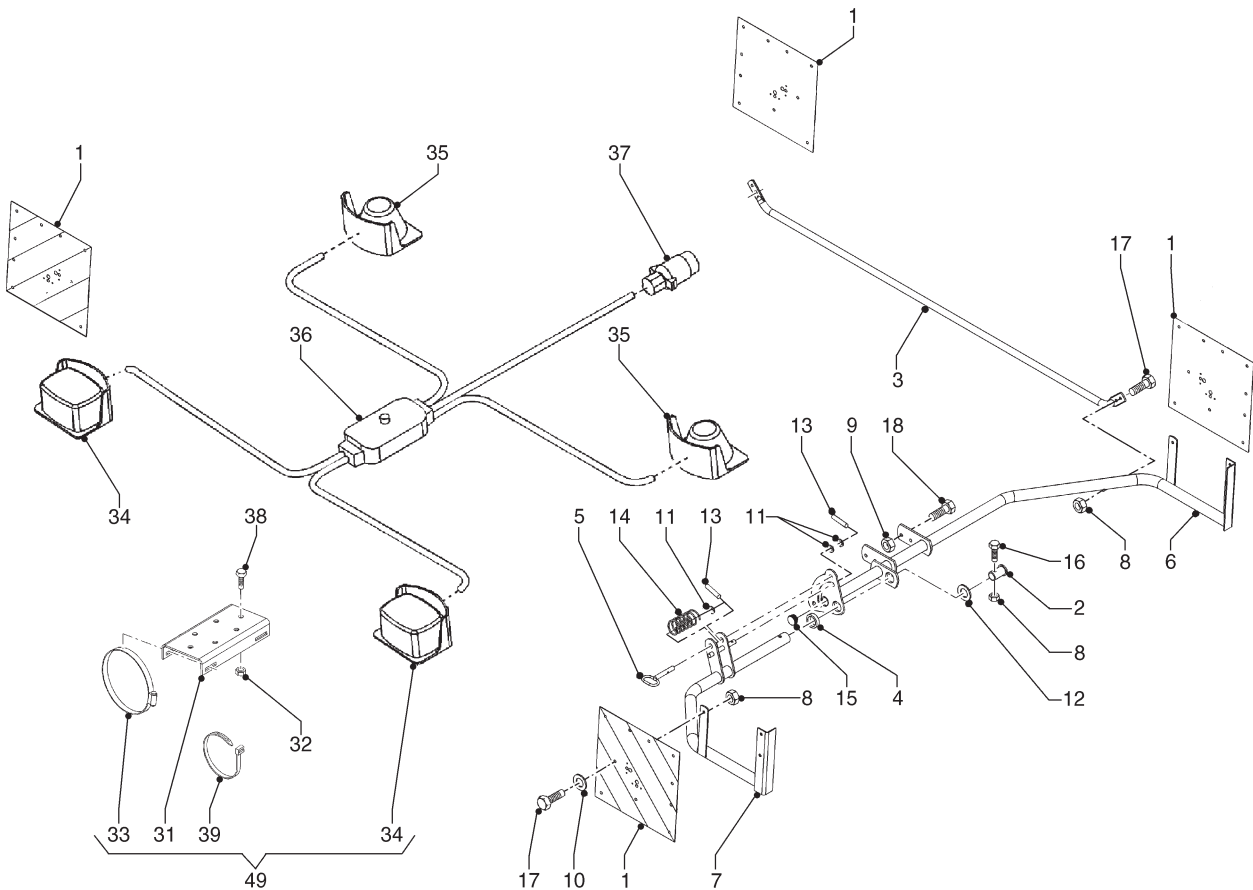
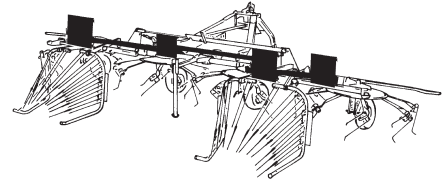
1	4.1033.0961.0 4.1033.0951.0	1 1	[R*] [L*][x]
2	4.1033.0941.0 4.1033.0991.0	1 1	[L*] [R*][x]
3	4.1033.1139.0	4	
4	4.1046.0498.0	4	
5	4.1241.1921.0	4	
6	9.1048.0043*2	4	17 DIN 7349
7	9.1070.0039.4	4	Ø10x50 DIN 1481
8	9.1070.0056.0	4	Ø6x55 DIN 1481
9	9.1070.0057.1	4	Ø10x55 DIN 1481
10	9.1030.0014*5	4	M16 DIN 985-8
11	9.1123.0003*6	4	Ø6
31	4.1033.0929.0	1(4x)	
32	9.1001.0081.3	2(4x)	6205 2RS1
33	9.1041.0104.0	1(4x)	Ø52x32
34	9.1102.0024.6	1(4x)	5,50Ax8 (34= 31-36)
35	9.1106.0014.6	1(4x)	
36	9.1106.0015.0	1(4x)	
37	9.1110.0023.4	1(4x)	16x6.50-8 6 ply
38	9.1111.0017.4	1(4x)	16x6.50-8

REF.	ONDERDEELNR. PART NUMBER REFERENCE TEILNUMMER	AANTAL QUANTITY QUANTITE ANZAHL	
------	--------------------------------------------------------	------------------------------------------	--

49	4.1033.0920.0	4	= REF. 31-38
----	---------------	---	--------------

LELY

LOTUS	type number type number numéro de type Typnummer	vanaf serienummer as from serial number après numéro de serie ab Seriennummer
STABILO-COMBI 600	4.1046.0020.1 4.1046.0021.1	3009401 0003051409



B230.01.22

REF.	ONDERDEELNR. PART NUMBER REFERENCE TEILNUMMER	AANTAL QUANTITY QUANTITE ANZAHL
------	--------------------------------------------------------	------------------------------------------

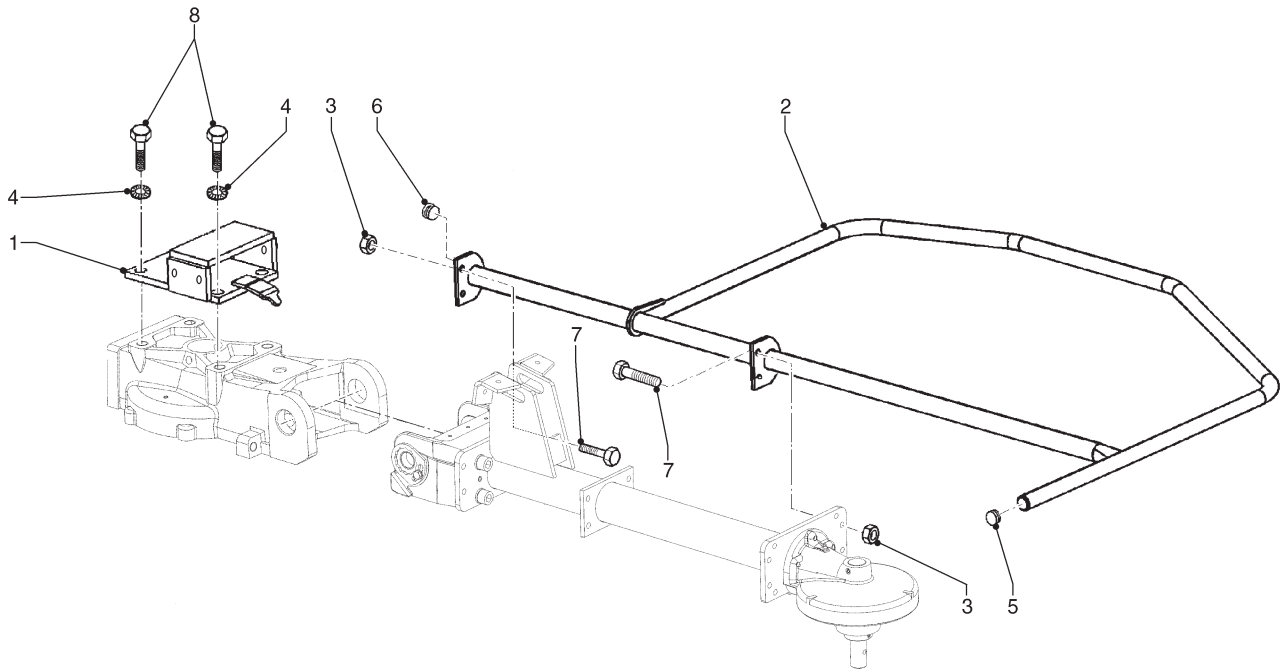
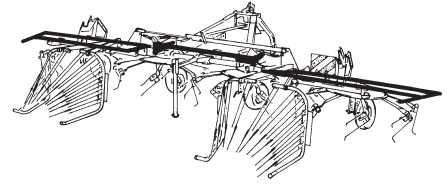
1	4.1040.1215.0	4
2	4.1040.1217.0	2
3	4.1046.0518.0	1
4	4.1046.0519.0	2
5	4.1046.0520.0	2
6	4.1046.0821.0	1 [R]
	4.1046.0801.0	1 [L][x]
7	4.1046.0881.0	1 [R]
	4.1046.0871.0	1 [L][x]
8	9.1030.0004*2	18 M10 DIN 985-8
9	9.1030.0013*4	8 M12 DIN 985-8
10	9.1048.0008*2	12 A10,5 DIN 9021
11	9.1048.0015*2	6 A17 DIN 125
12	9.1048.0034*0	2 A37 DIN 15
13	9.1070.0017.3	4 Ø6x30 DIN 1481
14	9.1090.0015*2	2
15	9.1108.0101.1	2 Ø40
16	9.1113.0038*2	2 M10x60 DIN 931-8.8
17	9.1113.0029*0	16 M10x25 DIN 933-8.8
18	9.1113.0155*0	8 M12x40 DIN 933-10.9

REF.	ONDERDEELNR. PART NUMBER REFERENCE TEILNUMMER	AANTAL QUANTITY QUANTITE ANZAHL
------	--------------------------------------------------------	------------------------------------------

31	4.1033.1519.0	(1)
32	9.1030.0035.5	(4) M5 DIN 985-A2-2
33	9.1066.0002*6	(2) Ø60-82
34	9.1096.0015.3	(2) Cpl.
35	9.1096.0016.4	(2) Cpl.
36	9.1096.0021.2	(1)
37	9.1096.0022.3	(1)
38	9.1113.0209.5	(4) M5x16 DIN 933-A2-2
39	9.1164.0033.2	(20) 368x5,0 CV-368W
49	4.1033.1510.0	(1) = REF. 31-39

LELY

LOTUS	type number type number numéro de type Typnummer	vanaf serienummer as from serial number après numéro de serie ab Seriennummer
STABILO-COMBI 600	4.1046.0020.1 4.1046.0021.1	3009401 0003051409



B066.05.02

REF.	ONDERDEELNR. PART NUMBER REFERENCE TEILNUMMER	AANTAL QUANTITY QUANTITE ANZAHL
------	--------------------------------------------------------	------------------------------------------

1	4.1046.0381.0	2
2	4.1046.0850.0	2
3	9.1030.0013*4	8
4	9.1051.0011.2	8
5	9.1108.0085.6	2
6	9.1108.0101.1	2
7	9.1113.0155*0	8
8	9.1113.0088*3	8

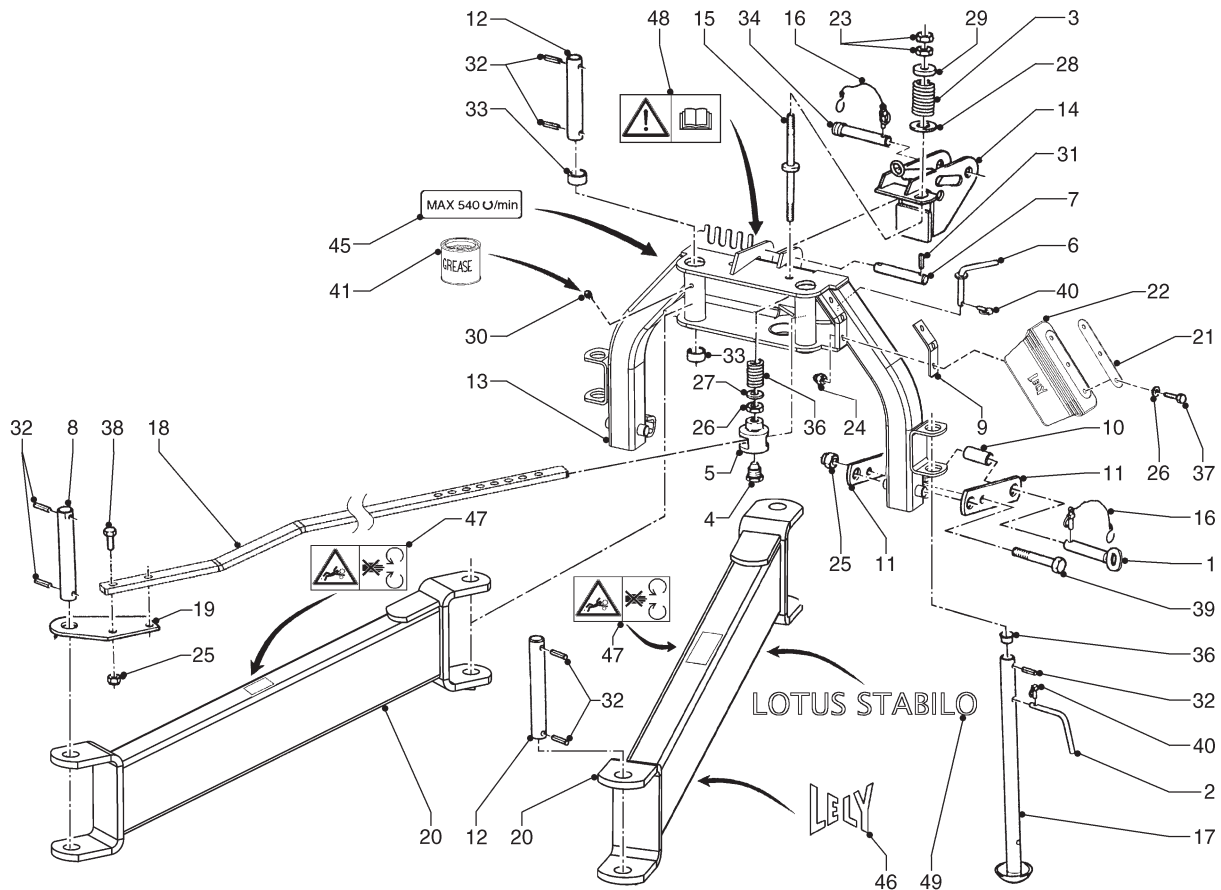
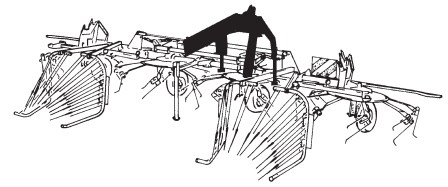
M12 DIN 985-8
A21 DIN 6798 [####]
Ø32

Ø40
M12x40 DIN 933-10.9
M20x40 DIN 933-8.8

REF.	ONDERDEELNR. PART NUMBER REFERENCE TEILNUMMER	AANTAL QUANTITY QUANTITE ANZAHL
------	--------------------------------------------------------	------------------------------------------

LELY

LOTUS	type nummer type number numéro de type Typnummer	vanaf serienummer as from serial number après numéro de serie ab Seriennummer
STABILO-COMBI 600	4.1046.0013.1 4.1046.0020.1 4.1046.0021.1	10709 - 0501 3009401 0003051409



B067.07.03

REF.	ONDERDEELNR. PART NUMBER REFERENCE TEILNUMMER	AANTAL QUANTITY QUANTITE ANZAHL
------	--------------------------------------------------------	------------------------------------------

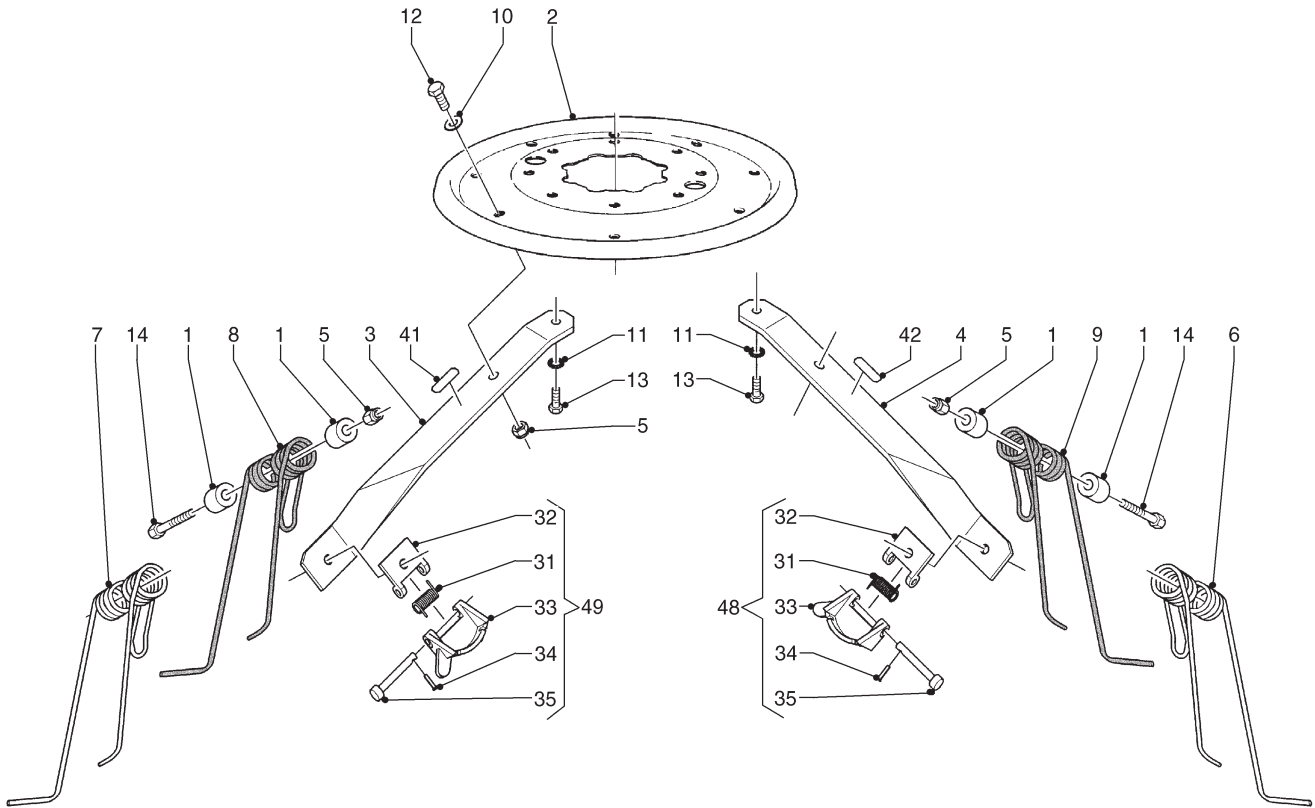
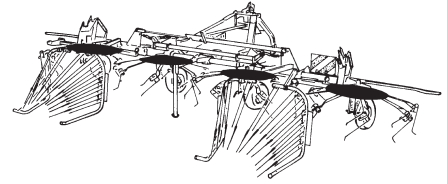
1	1.1804.0310.0	2	
2	4.1016.0298.0	2	
3	4.1016.0926.0	1	
4	4.1016.0927.0	1	
5	4.1016.0928.0	1	
6	4.1016.0990.0	1	
7	4.1016.1483.0	1	
8	4.1033.0246.0	1	Ø35x279
9	4.1033.0625.0	2	
10	4.1033.0626.0	2	
11	4.1033.0627.0	4	
12	4.1033.0629.0	3	Ø35x260
13	4.1033.0631.0	1	
14	4.1033.1540.0	1	= REF. 15 Pag. 12
15	4.1033.0670.0	1	
16	4.1033.0688.1	3	Ø11
17	4.1033.0700.0	2	
18	4.1033.0717Z0	1	
19	4.1033.0718.0	1	
20	4.1033.0722.0	2	
21	4.1043.0246.0	2	
22	4.1043.0247.0	2	
23	9.1029.0016*1	2	M20 DIN 934-8
24	9.1030.0012*3	6	M8 DIN 985-8
25	9.1030.0017*1	4	M20 DIN 985-8

REF.	ONDERDEELNR. PART NUMBER REFERENCE TEILNUMMER	AANTAL QUANTITY QUANTITE ANZAHL
------	--------------------------------------------------------	------------------------------------------

26	9.1034.0006.0	1	M20 DIN 439
27	9.1048.0019*6	1	A21 DIN 125 []
28	9.1048.0055*0	1	A21 DIN 9021 []
29	9.1048.0068*6	1	A21 DIN 7349 []
30	9.1068.0007*2	2	AM8x1,25
31	9.1070.0021.0	2	Ø8x40 DIN 1481
32	9.1070.0028.0	10	Ø10x60 DIN 1481
33	9.1077.0001.1	4	35/43x20 DIN 1498
34	9.1088.0005.1	1	Ø25-95
35	9.1090.0017*4	1	
36	9.1108.0049.5	2	
37	9.1113.0018*3	6	M8x45 DIN 931-8.8
38	9.1113.0093*1	2	M20x65 DIN 931-8.8
39	9.1113.0098*6	2	M20x130 DIN 931-8.8
40	9.1123.0003*6	3	Ø6
41	9.1171.0077.4	~	18KG BIOMULTIS SEP 2
45	9.1170.0125.4	1	"MAX 540/min."
46	9.1170.0200.2	2	"LELY"
47	9.1170.0407.6	2	
48	9.1170.0408.0	1	
49	9.1170.0522.2	2	"LOTUS STABILO"

LELY

LOTUS	type nummer type number numéro de type Typnummer	vanaf serienummer as from serial number après numéro de serie ab Seriennummer
STABILO-COMBI 600	4.1046.0010.1	10701 - 0501
	4.1046.0013.1	10709 - 0501
	4.1046.0020.1	3009401
	4.1046.0021.1	0003051409



B047.05.03

REF.	ONDERDEELNR. PART NUMBER REFERENCE TEILNUMMER	AANTAL QUANTITY QUANTITE ANZAHL		
------	--------------------------------------------------------	------------------------------------------	--	--

1	4.1015.0055.0	64		
2	4.1015.0143.0	4		
3	4.1016.0148.0	16	[RD]	
4	4.1016.0158.0	16	[LD]	
5	9.1030.0013*4	64	M12 DIN 985-8.8	
6	4.1043.1168.0	(16)	[LD]	Grijs/Grey/Gris/Grau
7	4.1043.1175.0	(16)	[RD]	Grijs/Grey/Gris/Grau
8	4.1046.1139.0	(16)	[RD]	Zwart/Black/Noir/Schwarz
9	4.1046.1159.0	(16)	[LD]	Zwart/Black/Noir/Schwarz
10	9.1048.0041*0	32	A13 DIN 9021	[—]
11	9.1051.0003.1	32	A12,5 DIN 6798	[####]
12	9.1113.0050*0	32	M12x30 DIN 933-8.8	
13	9.1113.0125*5	32	M12x35 DIN 933-8.8	
14	9.1113.0136*2	32	M12x100 DIN 931-8.8	

31	4.1015.0054.0	1(32x)		
32	4.1015.0056.0	1(32x)		
33	4.1015.0057.0	1(32x)		
34	9.1072.0025.2	1(32x)	Ø3,2x16 DIN 94	
35	9.1115.0101*0	1(32x)		

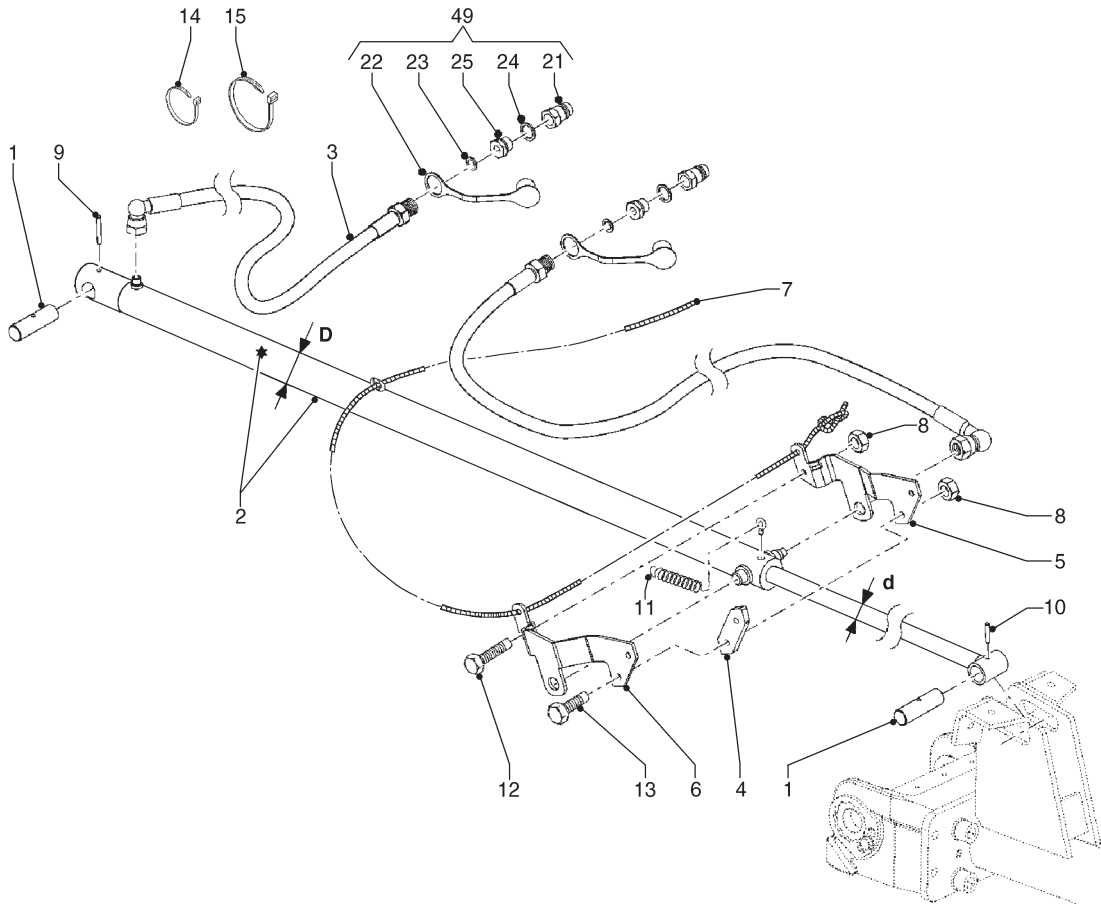
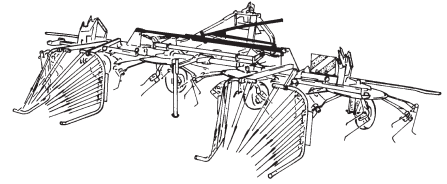
41	9.1170.0013.4	16	Geel/Yellow/Jaune/Gelb	
42	9.1170.0014.5	16	Blauw/Blue/Bleu/Blau	

REF.	ONDERDEELNR. PART NUMBER REFERENCE TEILNUMMER	AANTAL QUANTITY QUANTITE ANZAHL		
------	--------------------------------------------------------	------------------------------------------	--	--

48	4.1016.0151.2	16	= REF. 631-635	[LD]
49	4.1016.0141.2	16	= REF. 631-635	[RD]

LELY

LOTUS	type number type number numéro de type Typnummer	vanaf serienummer as from serial number après numéro de serie ab Seriennummer
STABILO-COMBI 600	4.1046.0010.1	10701 - 0501
	4.1046.0013.1	10709 - 0501
	4.1046.0020.1	3009401
	4.1046.0021.1	0003051409



B046.06.01

REF.	ONDERDEELNR. PART NUMBER REFERENCE TEILNUMMER	AANTAL QUANTITY QUANTITE ANZAHL	
------	--------------------------------------------------------	------------------------------------------	--

1	3.5103.2038.0	2	
2	4.1046.0410.0	1	(704= 704+ ★)
★	4.1046.0416.0	(1)	(d= Ø25, D= Ø40/50) [A+A][x]
3	4.1016.2120.0	2	L= 3050
4	4.1046.0417.0	1	
5	4.1046.0418.0	1	[L]
6	4.1046.0419.0	1	[R]
7	4.1201.1462.0	1	Ø6x4000mm (1m= 9.1163.0004.2)
8	9.1030.0012*3	3	M8 DIN 985-8
9	9.1070.0019.5	1	Ø6x50 DIN 1481
10	9.1070.0041.6	1	Ø6x32 DIN 1481
11	9.1089.0014.2	1	
12	9.1113.0014*6	1	M8x20 DIN 933-8.8
13	9.1113.0130*3	2	M8x30 DIN 933-8.8
14	9.1164.0028.4	2	150x3,7 CV-150W
15	9.1164.0033.2	2	368x5,0 CV-368W

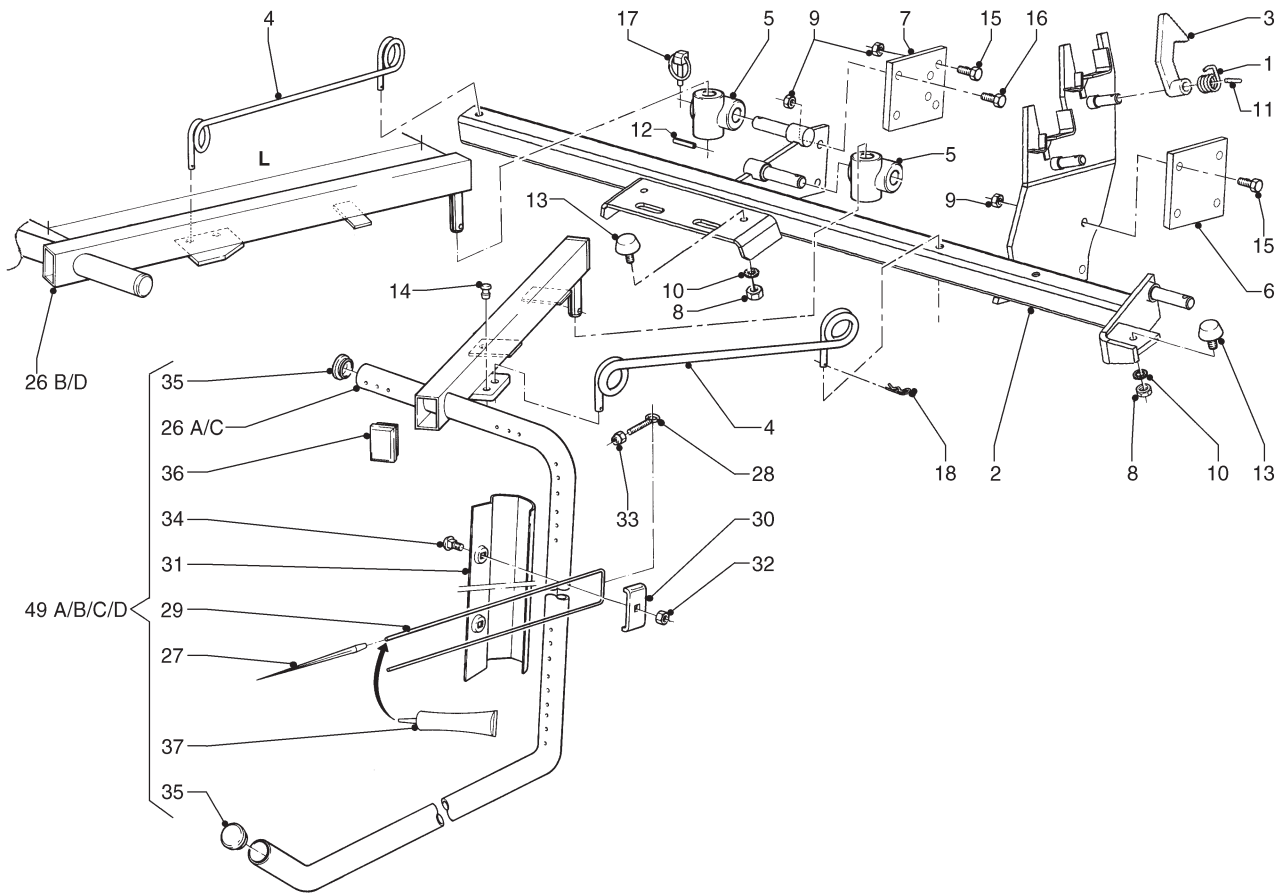
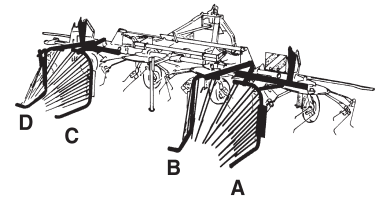
21	9.1137.0302.4	1(2x)	1/2" G
22	9.1137.0303.5	1(2x)	1/2" PVC
23	9.1137.0409.6	1(2x)	Ø13,74x20,57x2,03 [—]
24	9.1137.0411.1	1(2x)	Ø21,54x28,58x2,34 [—]
25	9.1137.0603.4	1(2x)	1/2" - 1/4"

REF.	ONDERDEELNR. PART NUMBER REFERENCE TEILNUMMER	AANTAL QUANTITY QUANTITE ANZAHL	
------	--------------------------------------------------------	------------------------------------------	--

49	2.3201.2312.8	2	= REF. 21-25
----	---------------	---	--------------

LELY

LOTUS	type nummer type number número de type Typnummer	vanaf serienummer as from serial number après numéro de serie ab Seriennummer
STABILO-COMBI 600	4.1046.0010.1	10701 - 0501
	4.1046.0013.1	10709 - 0501
	4.1046.0020.1	3009401
	4.1046.0021.1	0003051409



B010.05.02

REF.	ONDERDEELNR. PART NUMBER REFERENCE TEILNUMMER	AANTAL QUANTITY QUANTITE ANZAHL	
------	--------------------------------------------------------	------------------------------------------	--

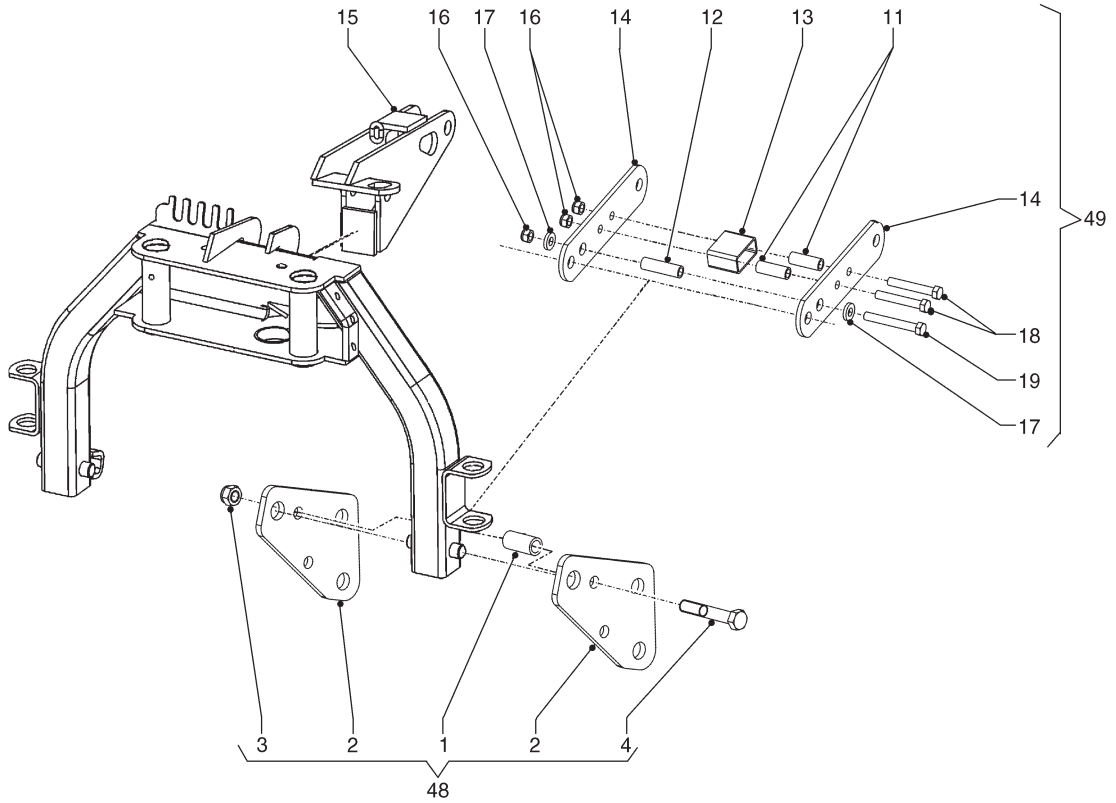
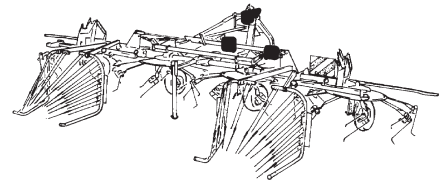
1	4.1002.0064.0 4.1006.0075.0	(2) (2)	[R] [L][x]
2	4.1016.0602.0 4.1016.0642.0	(1) (1)	[R] [L][x]
3	4.1016.1494.0 4.1016.1495.0	(2) (2)	[R] [L][x]
4	4.1016.1487.0	(4)	
5	4.1016.1498.0	(4)	
6	4.1016.2018.0	(2)	
7	4.1016.2019.0	(2)	
8	9.1029.0005*4	(6)	M10 DIN 934-8
9	9.1030.0013*4	(20)	M12 DIN 985-8
10	9.1051.0002.0	(6)	A10,5 DIN 6798 [####]
11	9.1070.0018.4	(4)	Ø6x40 DIN 1481
12	9.1070.0021.0	(4)	Ø8x40 DIN 1481
13	9.1105.0011.4	(6)	
14	9.1108.0050.6	(4)	Ø13,7
15	9.1113.0118*5	(16)	M12x40 DIN 933-8.8
16	9.1113.0125*5	(16)	M12x35 DIN 933-8.8
17	9.1123.0003*6	(4)	Ø6
18	9.1124.0003*5	(8)	Ø4

REF.	ONDERDEELNR. PART NUMBER REFERENCE TEILNUMMER	AANTAL QUANTITY QUANTITE ANZAHL	
------	--------------------------------------------------------	------------------------------------------	--

26 A	4.1016.0701.0	(1)	L= 664
26 B	4.1016.0741.0	(1)	L= 788
26 C	4.1016.0721.0	(1)	L= 788
26 D	4.1016.0671.0	(1)	L= 664
27	4.1002.0163.0	[7 (4x)]	
28	4.1011.0009.0	[7 (4x)]	
29	4.1015.0215.0	[7 (4x)]	
30	4.1016.0688.0	[2 (4x)]	
31	4.1016.0689.0	[1 (4x)]	
32	9.1030.0004*2	[2 (4x)]	M10 DIN 985-8
33	9.1030.0011*2	[7 (4x)]	M6 DIN 985-8
34	9.1058.0027*4	[2 (4x)]	M10x25 DIN 603-4.6
35	9.1108.0020.3	[2 (4x)]	Ø36
36	9.1108.0026.2	[2 (4x)]	60x40
37	9.1126.0003.3	~	Permabond A118 10ml.
49 A	4.1016.0691.0	(1)	= REF. 826 A-837
49 B	4.1016.0731.0	(1)	= REF. 826 B-837
49 C	4.1016.0711.0	(1)	= REF. 826 C-837
49 D	4.1016.0661.0	(1)	= REF. 826 D-837

LELY

LOTUS	type number type number numéro de type Typnummer	vanaf serienummer as from serial number après numéro de serie ab Seriennummer
STABILO-COMBI 600	4.1046.0010.1	10701 - 0501
	4.1046.0013.1	10709 - 0501
	4.1046.0020.1	3009401
	4.1046.0021.1	0003051409



B360-02-01

REF.	ONDERDEELNR. PART NUMBER REFERENCE TEILNUMMER	AANTAL QUANTITY QUANTITE ANZAHL
------	--------------------------------------------------------	------------------------------------------

1	4.1033.0626.0	(4)
2	4.1033.1529.0	(4)
3	9.1030.0017*1	(4) M20 DIN 985-8
4	9.1113.0098*6	(4) M20x130 DIN 931-8.8

11	4.1033.0626.0	(4)
12	4.1033.1534.0	(2)
13	4.1033.1535.0	(2)
14	4.1033.1539.0	(4)
15	4.1033.1540.0	(1) = REF. 14 Pag. 08

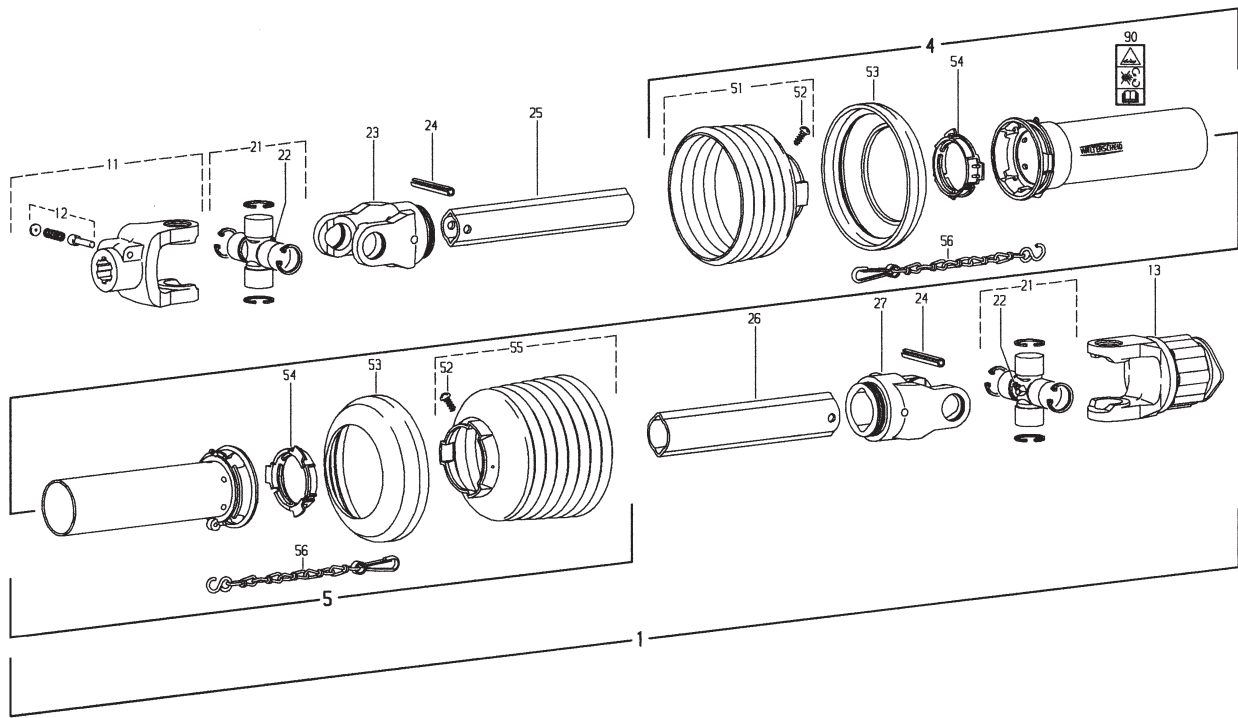
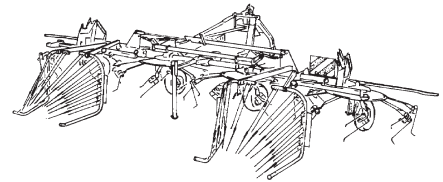
16	9.1030.0017*1	(6) M20 DIN 985-8
17	9.1048.0108*4	(4) 21 DIN 7349 []
18	9.1113.0098*6	(4) M20x130 DIN 931-8.8
19	9.1113.0214*3	(2) M20x150 DIN 931-8.8

REF.	ONDERDEELNR. PART NUMBER REFERENCE TEILNUMMER	AANTAL QUANTITY QUANTITE ANZAHL
------	--------------------------------------------------------	------------------------------------------

48	4.1033.1520.0	(1) = REF. 1-4
49	4.1033.1530.0	(1) = REF. 11-19

LELY

LOTUS	type number type number numéro de type Typnummer	vanaf serienummer as from serial number après numéro de serie ab Seriennummer
STABILO-COMBI		
600	4.1046.0020.1	3009401
600	4.1046.0021.1	0003051409



Bw005-07-10

REF.	ONDERDEELNR. PART NUMBER REFERENCE TEILNUMMER	AANTAL QUANTITY QUANTITE ANZAHL	
------	--------------------------------------------------------	------------------------------------------	--

1	9.1154.0254.2	1	W2300-SD15SW-1410-K33 = REF. 11-90 800Nm
4	85.135	1	SDH15SW-A1000-RP12-K
5	85.134	1	SDH15SW-J1000-RP12-K
11	21.10.00	1	AG2300-1.3/8" (6)
12	33.91.07	1	AGRASET 101
13	55.202.03	1	K33b-2300-1.3/8" (6) ZV; M= 800Nm
21	21.00.00	2	
22	63.27.00	2	BM8x1
23	21.11.00	1	RG2300-Ov
24	9.1070.0028.0	2	Ø10x60 DIN 1481
25	75.11.16	1	Ov-1080
26	75.15.16	1	1-1075
27	21.12.00	1	RG2300-1
51	85.15.35	1	n= 5
52	60.15.00	2	4x10
53	82.85.00	2	
54	82.83.06	2	
55	85.15.38	1	n= 8
56	82.36.03	2	
90	11.87.45	1	

REF.	ONDERDEELNR. PART NUMBER REFERENCE TEILNUMMER	AANTAL QUANTITY QUANTITE ANZAHL	
------	--------------------------------------------------------	------------------------------------------	--