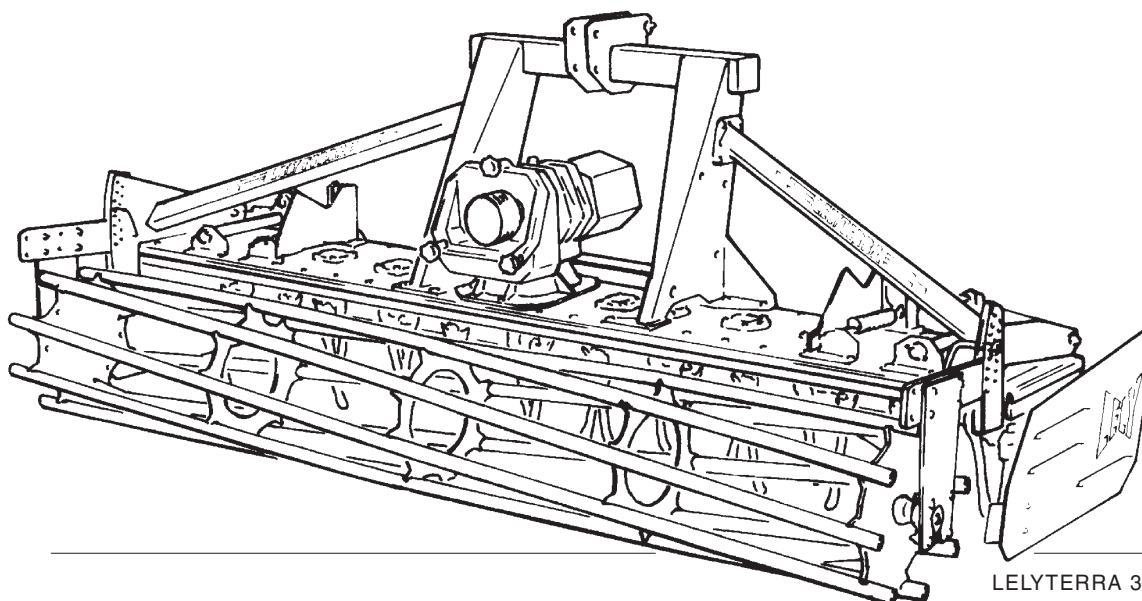


LELY

HIGH - TECH
IN AGRICULTURE

ONDERDELENLIJST
PARTS LIST
LISTE DE PIECES DE RECHANGE
ERSATZTEILLISTE

LELYTERRA - 35



LELYTERRA 300-35

| LELYTERRA | type nummer type number numéro de type Typennummer | vanaf serienummer as from serial number après numéro série ab Seriennummer |
|-----------------|---|---|
| 300 - 35 (21-6) | 1.1645.9022.1 | 10502 - 3353 |
| (21-21) | 1.1645.9023.1 | 10502 - 0562 |
| (21-6) | 1.1645.9030.1 | 10505 - 0651 |
| (21-21) | 1.1645.9031.1 | 10505 - 0501 |
| 350 - 35 (21-6) | 1.1647.0032.1 | 10502 - 0758 |
| (21-6) | 1.1647.0040.1 | 10505 - 0501 |
| 400 - 35 (21-6) | 1.1646.9082.1 | 10501 - 0543 |



LELY INDUSTRIES NV

ONDERDELEN

Bij het bestellen van onderdelen is het belangrijk dat u het type- en serienummer van uw machine opgeeft.

Gebruik alleen originele LELY-onderdelen.

SPARE PARTS

When ordering spare parts, it is important that you indicate the type and serial number of your machine.

Use only genuine LELY parts.

PIECES DE RECHANGE

En commandant des pièces de rechange il importe que vous indiquiez les numéros de type et de série de votre machine.

N'utiliser que des pièces d'origines LELY.

ERSATZTEILE

Beim Bestellen von Ersatzteilen ist es wichtig, daß Sie die Typ- und Seriennummer Ihrer Maschine angeben.

Nur Original-LELY-Ersatzteile verwenden.

Typ- und Seriennummer in nebenstehende Abbildung eintragen. Bei künftigen Bestellungen haben Sie die Nummer dann griffbereit.

Vul het type- en serienummer hieronder in.

Bij toekomstige onderdelenbestellingen heeft u de nummers dan bij de hand.

Complete the box below with the type and serial number.

This is an easy reference with a view to future spare parts ordering.

Veillez noter, ci-dessous, les numéros de type et de serie.

Ceci est important pour toutes commandes de pièces de rechange.

| | | | |
|-------------|--------------------------------------|----|-----------|
| LELY | LELY INDUSTRIES NV | | CE |
| | 3147 PA MAASSLUIS THE NETHERLANDS | | |
| | | kg | |
| Type | | | |
| Ser.Nr. | | | |

Verklaring van de in de onderdelenlijst gebruikte tekens.

Explanation of signs used in the parts list.

Explication des signes qui figurent dans la liste des pièces.

Erklärung der in der Ersatzteilliste verwendeten Zeichen.

[R] = RECHTSE UITVOERING
RH VERSION

[L] = LINKSE UITVOERING
LH VERSION

Onder rechtse of linkse uitvoering wordt de plaats van het onderdeel verstaan, gezien van de achterzijde van de machine.

By RH or LH version the position of the part is meant, seen from the rear of the machine

[RD] = RECHTSOM DRAAIENDE UITVOERING
RH ROTATING VERSION

[LD] = LINKSOM DRAAIENDE UITVOERING
LH ROTATING VERSION

Onder rechtsom of linksom draaiende uitvoering wordt de draairichting van het onderdeel verstaan, gezien van de bovenzijde van de machine.

By RH or LH rotating version the sense of rotating of the part is meant, seen from the top of the machine.

[x] = ONDERDEEL WORDT NIET GETOOND
PART IS NOT SHOWN

Bijvoorbeeld linkse uitvoering overeenkomstig de wel getekende rechtse uitvoering.

E.g. : LH version is similar to the RH version, which is actually shown.

[#] = NIET LOS LEVERBAAR
NOT AVAILABLE SEPARATELY

~ = AANTAL (INDIEN NODIG) AFHANKELIJK VAN INBOUWMAAT
QUANTITY (IF APPLICABLE) DEPENDING UPON ASSEMBLY

[—] = SLUITRING

[—/—] = VEERRING

[####] = TANDVEERRING

[»|«] = OLIEKEERRING

[T+T] = TANDWIELSET

[D+D] = VULRINGSET

[A+A] = SET AFDICHTINGSRINGEN

WASHER

SPRING WASHER

SHAKE-PROOF WASHER

OIL SEAL

PAIR OF GEARS

SHIM SET

SET OF SEALING RINGS

VERSION DROITE
RECHTE AUSFÜHRUNG

VERSION GAUCHE
LINKE AUSFÜHRUNG

Par version droite ou gauche on entend la position de la pièce, vue de l'arrière de la machine.

Die Verweisungen "rechte Ausführung" oder "linke Ausführung" geben die Position des Teils, von der Hinterseite der Maschine aus gesehen, an.

VERSION ROTATION A DROITE
RECHTSUMDREHENDE AUSFÜHRUNG

VERSION ROTATION A GAUCHE
LINKSUMDREHENDE AUSFÜHRUNG

Version rotation à droit: ceci correspond au sens de rotation de la pièce, vue du dessus la machine.

Mit diesen Verweisungen wird die Drehrichtung des Teils von der Oberseite der Maschine aus gesehen, angegeben.

PIECE N'EST PAS MONTREE
TEIL WIRD NICHT GEZEIGT

Exemple : la version gauche est représentée. La version droite correspond à la version gauche, mais n'est pas représentée.

Beispiel : die linke Ausführung entspricht der effektiv gezeigten Rechten.

VENDU EN KIT UNIQUEMENT
NICHT SEPARAT LIEFERBAR

QUANTITE (SI NÉCESSAIRE) EN FONCTION DU MONTAGE
ANZAHL VOM EINBAUMASS ABHÄNGIG (WENN ERFORDERLICH)

RONDELLE PLATE

RONDELLE GROWER

RONDELLE EVENTAIL

ETANCHEITE

JEU D'ENGRENAGES

JEU D'ÉPAISSEURS

JEU D'ANNEAUX D'ETANCHEITE

UNTERLEGSCHEIBE

FEDERRING

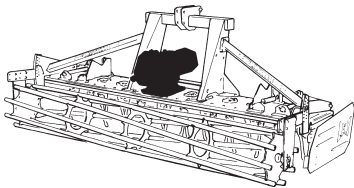
RÄNDELFEDERRING

ÖLDICHTUNGSRING

ZAHNRÄDERSATZ

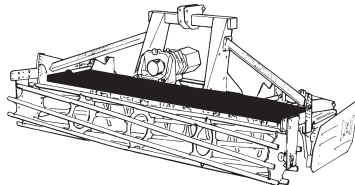
PASSSCHEIBENSATZ

DICHTUNGSRINGENSATZ



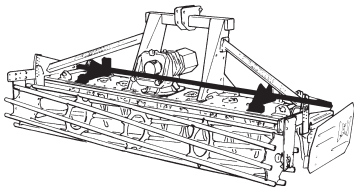
Tandwielkast
Gearbox
Boîte d'engrenages
Getriebe

01/02



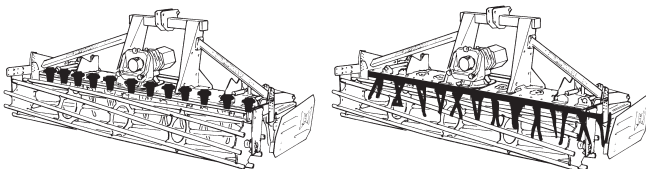
Tandwielgoot
Gear trough
Soubassement
Wanne

03



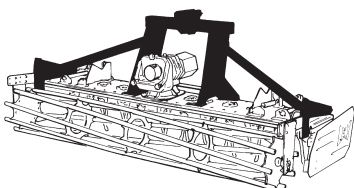
Rotorbescherming
Rotor guard
Protection-rotor
Rotorenschutz

04



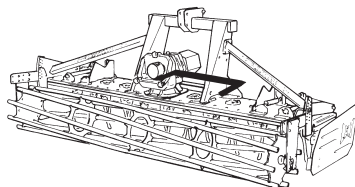
Rotoras / tanden
Rotor shaft / tines
Axe-rotor / dents
Rotorachse / Zinken

05/06



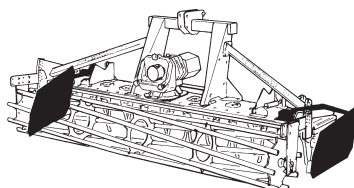
Driepuntsbok
Headstock
Tête d'attelage
Dreipunkturm

07/08



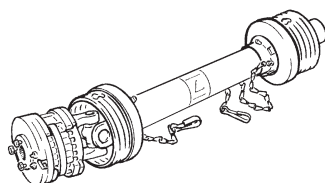
Onderste ophanging
Lower linkage pin
Tige d'attelage inférieur
Untere Tragstange

09



Grondgeleiders
Deflectors
Déflecteurs
Seitenplatten

10

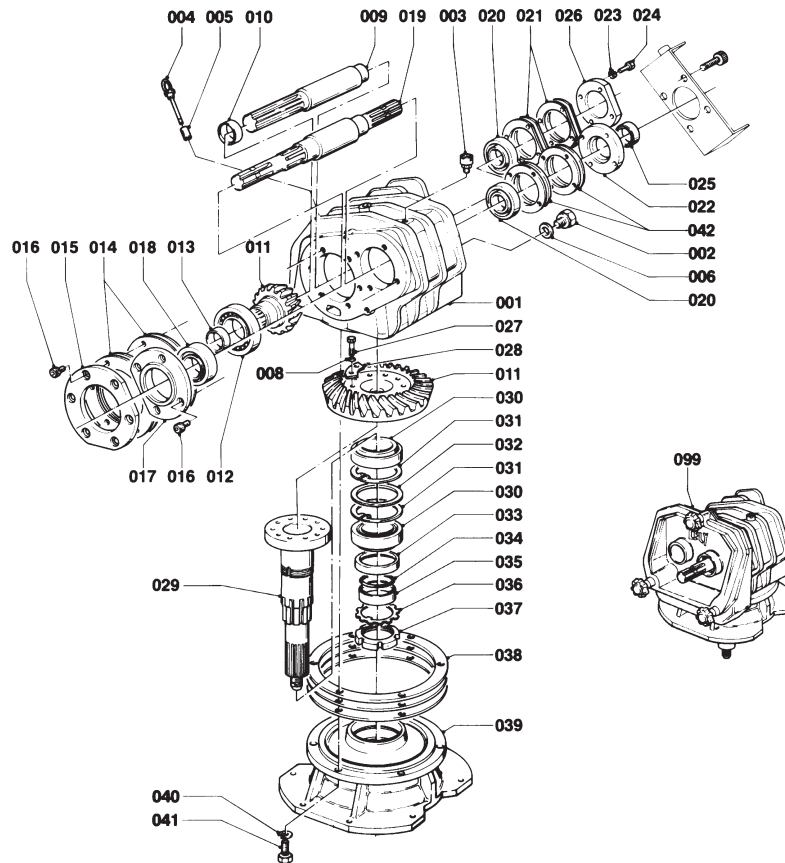
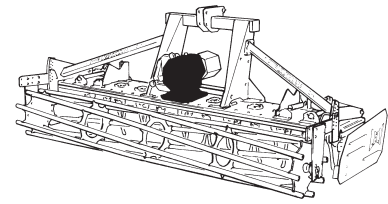


Koppelingsas
PTO shaft
Arbre de transmission
Gelenkwelle

11/12

LELY

| LELYTERRA | type nummer type number número de type Typnummer | vanaf serienummer as from serial number après numéro de serie ab Seriennummer |
|-----------|---|---|
| 300 - 35 | (21-6) (21-21) (21-6) (21-21) | 1.1645.9022.1 1.1645.9023.1 1.1645.9030.1 1.1645.9031.1 |
| 350 - 35 | (21-6) (21-6) | 1.1647.0032.1 1.1647.0040.1 |
| 400 - 35 | (21-6) | 1.1646.9082.1 |
| | | 1005 - 0501 10204 - 0501 10310 - 0501 10505 - 0501 1005 - 0501 10505 - 0501 1005 - 0501 |



C047.07.00

| REF. | ONDERDEELNR. PART NUMBER REFERENCE TEILNUMMER | AANTAL QUANTITY QUANTITE ANZAHL | |
|------|--|--|--|
|------|--|--|--|

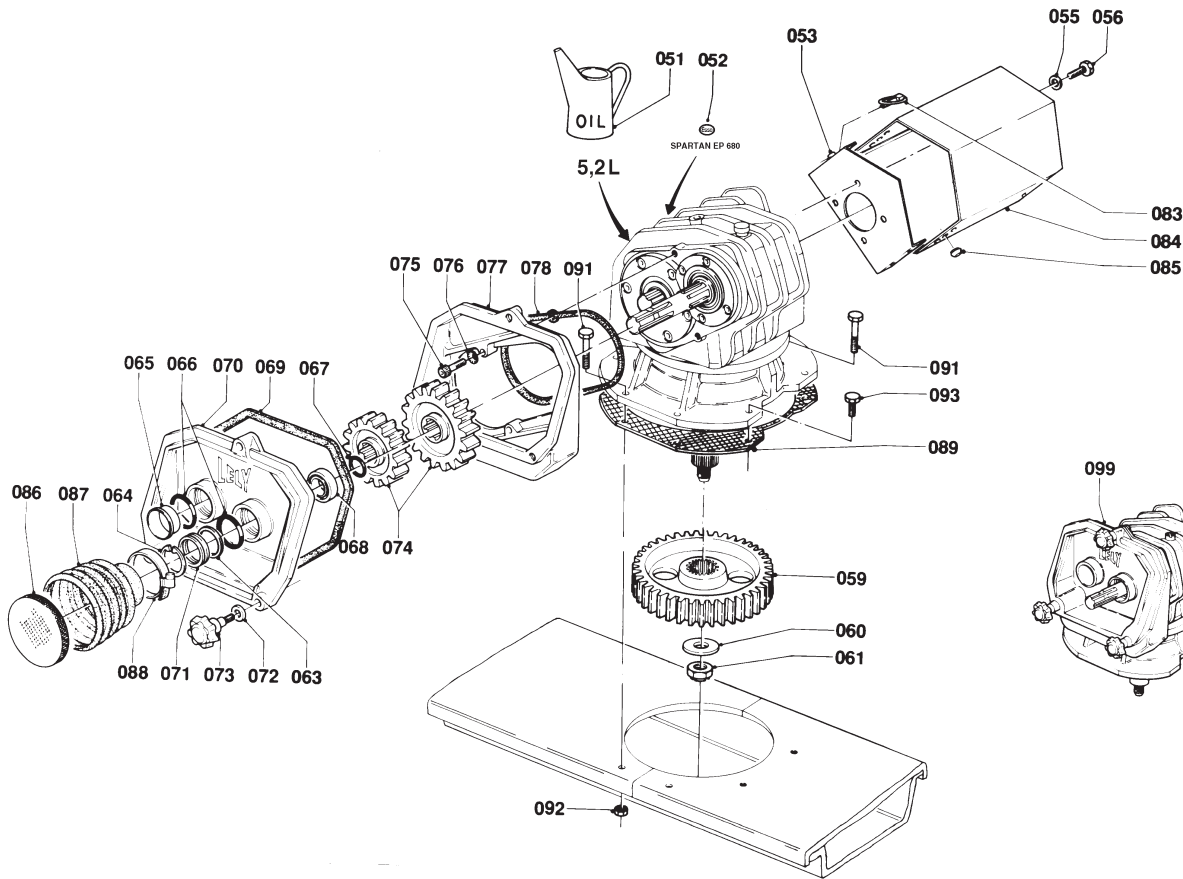
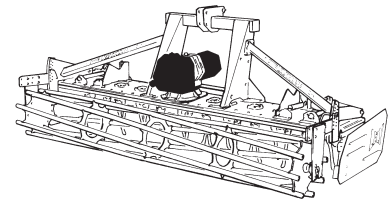
| | | | |
|-----|--------------------------------|--------|--|
| 001 | 1.1645.0064.0 1.1647.0071.0 | 1 1 | 3M/4M 3,5M[x] |
| 002 | 9.1131.0009.4 | 1 | M16x1,5 DIN 910 |
| 003 | 9.1150.0009.6 | 1 | 3/8" |
| 004 | 1.1607.0148.0 | 1 | |
| 005 | 1.1620.0122.0 | 1 | |
| 006 | 9.1137.0400.4 | 1 | Ø17x24x1,5 Cu [—] |
| 008 | 1.1645.0059.0 | 10 | 23x13,2x1,5 |
| 009 | 1.1645.0073.0 | 1 | |
| 010 | 1.1645.0072.0 | 1 | |
| 011 | 1.1645.0058.8 | 1 | [T+T] |
| 012 | 9.1002.0027.4 | 1 | 30311 J2 |
| 013 | 1.1645.0086.0 | 1 | |
| 014 | 1.1645.0075.0 | 1 | [D+D] |
| 015 | 1.1645.0088.0 | 1 | |
| 016 | 9.1057.0008.0 | 10 | M10x20 DIN 912-12.9 |
| 017 | 1.1645.0084.0 | 1 | |
| 018 | 9.1002.0032.2 | 1 | 33209 |
| 019 | 1.1645.0071.0 | 1 | 1.3/8" (21)-1.3/8" (6) |
| 019 | 1.1647.0077.0 | (1) | 1.3/8" (21)-1.3/8" (21) [x] DUAL / PUSH-PULL / DUAL |
| 020 | 9.1002.0016.0 | 2 | 30208 |
| 021 | 1.1606.0869.0 | 1 | [D+D] |
| 022 | 1.1606.0005.0 | 1 | |
| 023 | 9.1121.0004*2 | 4 | A10 DIN 127 [—] |
| 024 | 9.1113.0120*0 | 4 | M10x30 DIN 933-8.8 |

| REF. | ONDERDEELNR. PART NUMBER REFERENCE TEILNUMMER | AANTAL QUANTITY QUANTITE ANZAHL | |
|------|--|--|--|
|------|--|--|--|

| | | | |
|-----|---------------|-----|-----------------------------|
| 025 | 9.1042.0081.4 | 1 | 40x60x10 CC [» «] |
| 026 | 1.1647.0076.0 | 1 | |
| 027 | 9.1114.0022.6 | 10 | M12x40 DIN 610 12.9 |
| 028 | 1.1645.0060.0 | 5 | |
| 029 | 1.1645.0745.0 | 1 | |
| 030 | 9.1002.0029.6 | 2 | 32013 X |
| 031 | 9.1120.0015.0 | 2 | 100x3,00 DIN 472 |
| 032 | 9.1093.0086.0 | ~ | 100x80x0,2 DIN988 (max. 1x) |
| 033 | 9.1042.0048.6 | 1 | 75x90x10 [» «] |
| 034 | 9.1043.0012.4 | 1 | OR 64,77x2,62 |
| 035 | 1.1632.0248.0 | 1 | |
| 036 | 9.1118.0008.2 | 1 | MB 13 |
| 037 | 9.1035.0006.6 | 1 | M65x2,0 KM 13 |
| 038 | 1.1645.0076.0 | 1 | [D+D] |
| 039 | 1.1645.0749.0 | 1 | |
| 040 | 9.1121.0011*2 | 6 | A12 DIN 127 [—] |
| 041 | 9.1113.0050*0 | 6 | M12x30 DIN 933-8.8 |
| 042 | 1.1606.0024.1 | 1 | [D+D] |
| 099 | 1.1645.0741.1 | 1 | = REF. 001-078 3/4M (21-6) |
| | 1.1645.0741.2 | (1) | = REF. 001-078 3/4M(21-21) |
| | 1.1647.0053.1 | 1 | = REF. 001-078 3,5M (21-6) |

LELY

| LELYTERRA | type nummer type number numéro de type Typnummer | vanaf serienummer as from serial number après numéro de serie ab Seriennummer |
|-----------|---|--|
| 300 - 35 | (21-6) (21-21) (21-6) (21-21) | 1.1645.9022.1 1.1645.9023.1 1.1645.9030.1 1.1645.9031.1 |
| 350 - 35 | (21-6) (21-6) | 1.1647.0032.1 1.1647.0040.1 |
| 400 - 35 | (21-6) | 1.1646.9082.1 |
| | | 1005 - 0501 10204 - 0501 10310 - 0501 10505 - 0501 |
| | | 1005 - 0501 10505 - 0501 |
| | | 1005 - 0501 |



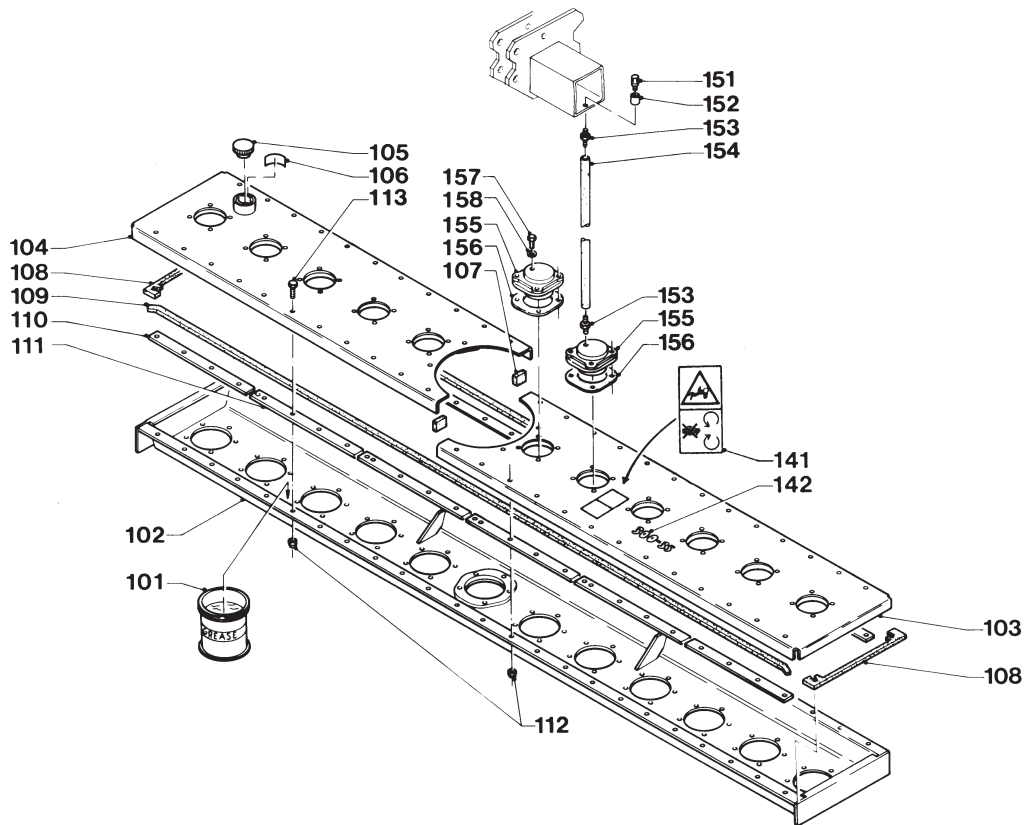
C078.05.10

| REF. | ONDERDEELNR. PART NUMBER REFERENCE TEILNUMMER | AANTAL QUANTITY QUANTITE ANZAHL | |
|------|--|--|--|
| 051 | 9.1171.0024.0 9.1171.0023.6 | (5,2 L) (5,2 L) | 1 kg. ESSO SPARTAN EP 680 10 L. ESSO SPARTAN EP 680 |
| 052 | 9.1170.0102.2 | 1 | "ESSO SPARTAN EP 680" |
| 053 | 1.1652.0440.0 1.1652.0450.0 | 1 1 | 3M 3,5M[x] 4M[x] |
| 055 | 9.1121.0004*2 | 4 | A10 DIN 127 [—/—] |
| 056 | 9.1113.0120*0 | 4 | M10x30 DIN 933-8.8 |
| 059 | 1.1632.1493.0 | 1 | |
| 060 | 1.1632.1481.0 | 1 | (+ REF. 320) [—/—] |
| 061 | 9.1031.0004.1 | 1 | M24x1,5 DIN 937-8(+ REF. 321) |
| 063 | 9.1052.0005.2 | ~ | S50x62x3,0 DIN 988 |
| 064 | 9.1120.0005.4 | 1 | 62x2,00 DIN 472 |
| 065 | 1.1645.0087.0 | 1 | |
| 066 | 9.1043.0005.4 | 2 | OR 61,60x2,62 |
| 067 | 1.1645.0080.0 | 1 | |
| 068 | 9.1001.0086.1 | 1 | 6007 2RS1-C3 |
| 069 | # | 1 | 1070 mm (1m= 9.1174.0023.3) |
| 070 | 1.1645.0082.0 | 1 | |
| 071 | 1.1645.0077.0 | 1 | [D+D] |
| 072 | 9.1048.0012*6 | 3 | A13 DIN 125 [—/—] |
| 073 | 9.1141.0013.5 | 3 | M12x45 DIN 6336 |

| REF. | ONDERDEELNR. PART NUMBER REFERENCE TEILNUMMER | AANTAL QUANTITY QUANTITE ANZAHL | |
|------|--|--|--|
| 074 | 1.1699.0568.8 1.1699.0562.8 1.1699.0560.8 1.1699.0566.8 1.1699.0570.8 1.1699.0564.8 | 1 - - - - - | 19/16 [T+T] 17/18 [T+T] 15/20 [T+T] 14/21 [T+T] 13/22 [T+T] 12/23 [T+T] |
| 075 | 9.1057.0019.4 | 2 | M10x50 DIN 912-8.8 |
| 076 | 9.1051.0002*0 | 2 | A10,5 DIN 6798 [####] |
| 077 | 1.1645.0089.0 1.1647.0078.0 | 1 1 | 3M 3,5M[x] |
| 078 | 1.1645.0083.0 | 1 | |
| 083 | 9.1123.0003*6 | 1 | Ø6 |
| 084 | 1.1652.0420.8 | 1 | (084= 084+085) |
| 085 | 1.1603.0024.0 | 2 | |
| 086 | 1.1618.2116.0 | 1 | |
| 087 | 1.1632.1461.0 | 1 | |
| 088 | 9.1066.0002*6 | 1 | Ø60-82 |
| 089 | 1.1655.0360.0 | 1 | |
| 091 | 9.1113.0233*1 | 4 | M12x55 DIN 931-10.9 |
| 092 | 9.1030.0024*1 | 4 | M12 DIN 985-10 |
| 093 | 9.1113.0276*2 | 4 | M10x30 DIN 933-10.9 |
| 099 | 1.1645.0741.1 1.1645.0741.2 1.1647.0053.1 | 1 (1) 1 | = REF. 001-078 3/4M (21-6) = REF. 001-078 3/4M(21-21) = REF. 001-078 3,5M (21-6) |

LELY

| LELYTERRA | type nummer type number numéro de type Typnummer | vanaf serienummer as from serial number après numéro de serie ab Seriennummer | LELYTERRA | type nummer type number numéro de type Typnummer | vanaf serienummer as from serial number après numéro de serie ab Seriennummer |
|---------------|---|--|-----------|---|--|
| 300 - 35 | 1.1645.9020.1 | 991 - 0501 | 350 - 35 | 1.1647.0030.1 | 991 - 0501 |
| | 1.1645.9021.1 | 1000 - 0501 | | 1.1647.0031.1 | 1000 - 0501 |
| | 1.1645.9022.1 | 1005 - 0501 | | 1.1647.0032.1 | 1005 - 0501 |
| | 1.1645.9023.1 | 10204 - 0501 | | 1.1647.0040.1 | 10505 - 0501 |
| | 1.1645.9030.1 | 10310 - 0501 | | | |
| 1.1645.9031.1 | 10505 - 0501 | | | | |
| | | | 400 - 35 | 1.1646.9082.1 | 1005 - 0501 |



C117.02.00

| REF. | ONDERDEELNR. PART NUMBER REFERENCE TEILNUMMER | AANTAL QUANTITY QUANTITE ANZAHL | 300 | 350 | 400 | LELYTERRA-35 |
|------|--|--|-----|-----|-----|--------------|
|------|--|--|-----|-----|-----|--------------|

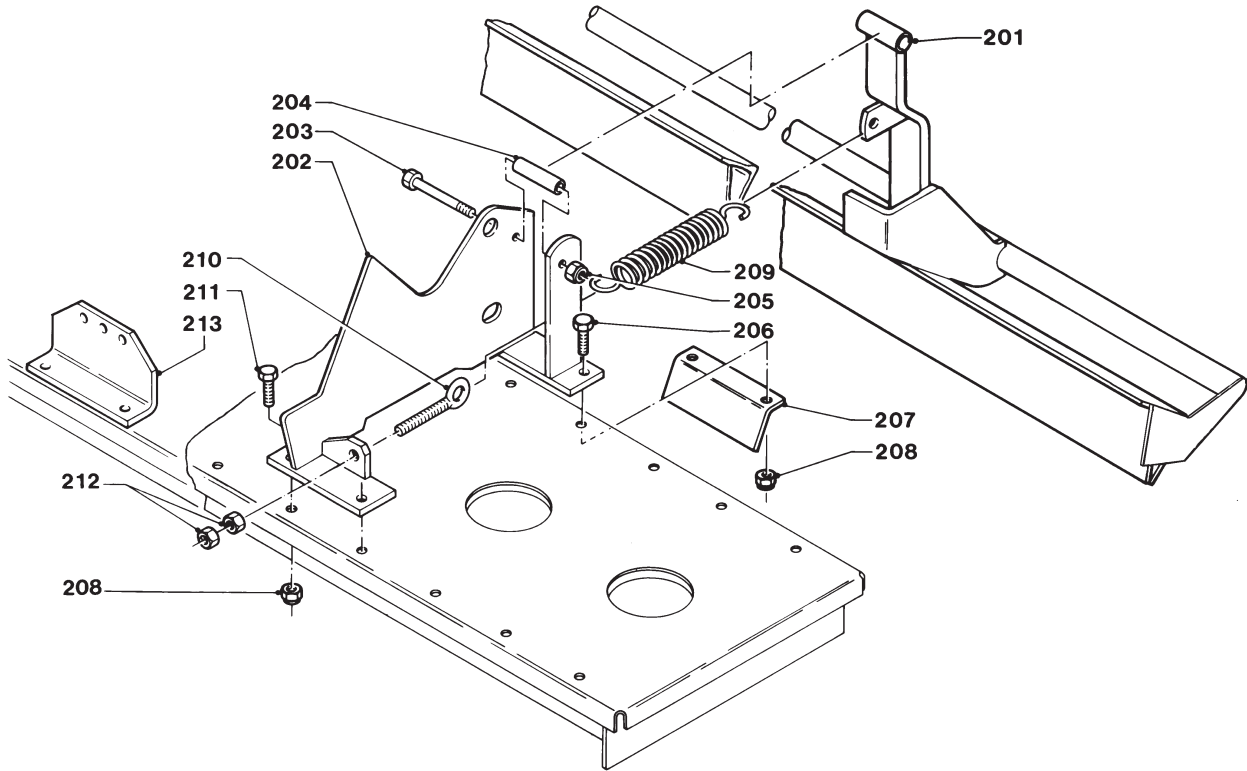
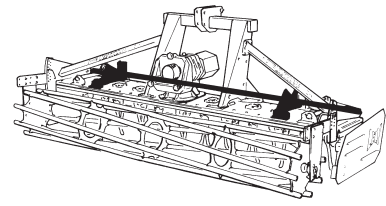
| | | | | | | |
|-----|---------------|----|-----|-----|-----|-----------------------------|
| | | | 300 | 350 | 400 | LELYTERRA-35 |
| 101 | 9.1171.0031.0 | 24 | 28 | 32 | | 1 kg ESSO EHL 484 XC |
| | 9.1171.0030.6 | - | - | - | | 5 kg ESSO EHL 484 XC |
| | 9.1171.0029.5 | - | - | - | | 10 kg ESSO EHL 484 XC |
| | 9.1171.0028.4 | - | - | - | | 180 kg ESSO EHL 484 XC |
| 102 | 1.1645.0630.0 | 1 | - | - | | 12x Ø |
| | 1.1647.0220.0 | - | 1 | - | | 14x Ø[x] |
| | 1.1646.0380.0 | - | - | 1 | | 16x Ø[x] |
| 103 | 1.1645.0660.0 | 1 | - | - | | 6x Ø [R] |
| | 1.1647.0230.0 | - | 1 | - | | 6x Ø [R][x] |
| | 1.1646.0430.0 | - | - | 1 | | 8x Ø [R][x] |
| 104 | 1.1645.0650.0 | 1 | - | - | | 5x Ø [L] |
| | 1.1647.0240.0 | - | - | 1 | | 7x Ø [L][x] |
| | 1.1646.0390.0 | - | 1 | 1 | | 7x Ø [L][x] |
| 105 | 1.1606.0460.0 | 1 | 1 | 2 | | "EHL 484 XC ESSO" |
| 106 | 9.1170.0264.3 | 1 | 1 | 2 | | 50 mm (1m= 9.1174.0034.0) |
| 107 | # | 2 | 2 | 2 | | |
| 108 | 1.1645.1495.0 | 2 | 2 | 2 | | 2915 mm (1m= 9.1174.0038.4) |
| 109 | # | 2 | - | - | | 3445 mm (1m= 9.1174.0038.4) |
| | # | - | 2 | - | | 3935 mm (1m= 9.1174.0038.4) |

| REF. | ONDERDEELNR. PART NUMBER REFERENCE TEILNUMMER | AANTAL QUANTITY QUANTITE ANZAHL | 300 | 350 | 400 | LELYTERRA-35 |
|------|--|--|-----|-----|-----|--------------|
|------|--|--|-----|-----|-----|--------------|

| | | | | | | |
|-----|---------------|----|-----|-----|-----|----------------------------|
| | | | 300 | 350 | 400 | LELYTERRA-35 |
| 110 | 1.1655.1490.0 | 4 | 4 | 4 | | [R]+[L] |
| 111 | 1.1632.1472.0 | 8 | 10 | 12 | | |
| 112 | 9.1030.0024*1 | 14 | 22 | 26 | | M12 DIN 985-10 |
| 113 | 9.1113.0155*0 | 14 | 22 | 22 | | M12x40 DIN 933-10.9 |
| 141 | 9.1170.0411.3 | 1 | 1 | 1 | | |
| 142 | 9.1170.0306.3 | 1 | - | - | | "300-35" |
| | 9.1170.0307.4 | - | 1 | - | | "350-35" |
| | 9.1170.0310.0 | - | - | 1 | | "400-35" |
| 151 | 9.1150.0009.6 | 1 | 1 | 1 | | 3/8" SLW 22 |
| 152 | 9.1132.0004.5 | 1 | 1 | 1 | | G 3/8" |
| 153 | 9.1137.0013.2 | 2 | 2 | 2 | | Ø9 3/8" |
| 154 | # | 1 | - | - | | 675 mm (1m= 9.1065.0048.4) |
| 155 | 1.1645.0709.0 | 2 | 1 | 1 | | |
| 156 | 1.1645.0688.0 | 2 | 1 | - | | (+ REF. 303) |
| 157 | 9.1131.0010.5 | 1 | - | - | | 3/8" DIN 908-5.8 |
| 158 | 9.1048.0083.0 | 1 | - | - | | 17 DIN 1441 [] |

LELY

| LELYTERRA | type nummer type number número de type Typnummer | vanaf serienummer as from serial number après numéro de serie ab Seriennummer |
|-----------|---|--|
| 300 - 35 | 1.1645.9022.1 | 1005 - 0622 |
| | 1.1645.9023.1 | 10204 - 0501 |
| | 1.1645.9030.1 | 10310 - 0501 |
| | 1.1645.9031.1 | 10505 - 0501 |
| 350 - 35 | 1.1647.0032.1 | 1007 - 0514 |
| | 1.1647.0040.1 | 10505 - 0501 |
| 400 - 35 | 1.1646.9082.1 | 1005 - 0501 |



C128.02.10

| REF. | ONDERDEELNR. PART NUMBER REFERENCE TEILNUMMER | AANTAL QUANTITY QUANTITE ANZAHL |
|------|--|--|
|------|--|--|

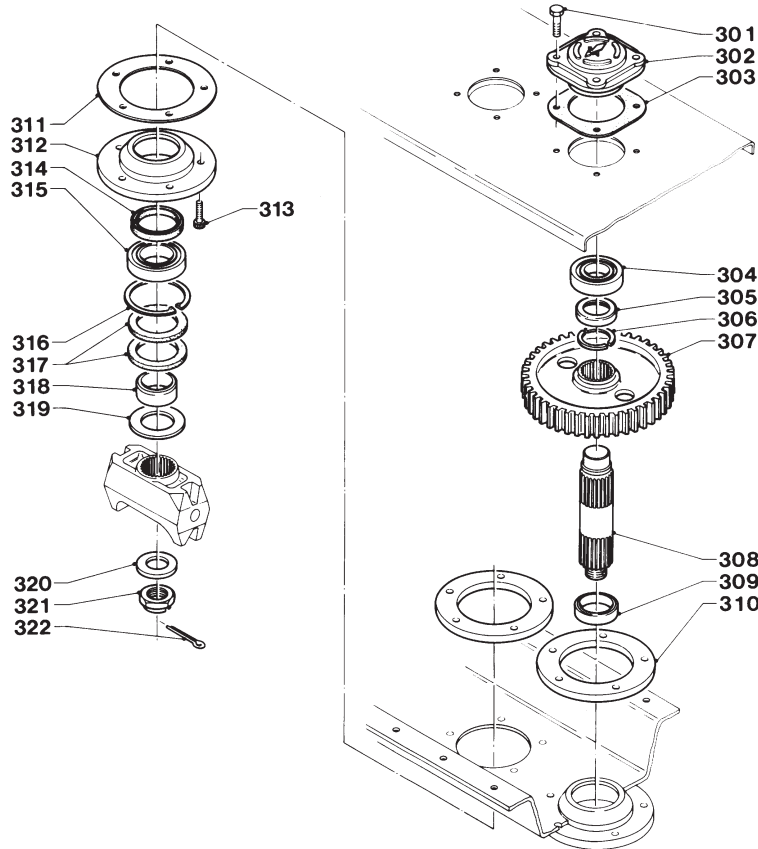
300 350 400 LELYTERRA-35

| | | |
|-----|---------------|---------------------------|
| 201 | 1.1655.0891.0 | 1 - - |
| | 1.1647.0261.0 | - 1 - |
| | 1.1656.0252.0 | - - 1 |
| 202 | 1.1655.0562.0 | 1 1 1 [R] |
| | 1.1646.0362.0 | - - 1 [x] |
| | 1.1655.0572.0 | 1 1 1 [L][x] |
| 203 | 9.1113.0144*3 | 2 2 3 M10x100 DIN 931-8.8 |
| 204 | 1.1633.1497.0 | 2 2 3 |
| 205 | 9.1030.0004*2 | 2 2 3 M10 DIN 985-8 |
| 206 | 9.1113.0233*1 | 4 4 8 M12x55 DIN 931-10.9 |
| 207 | 1.1655.1491.0 | 3 3 3 |
| 208 | 9.1030.0024*1 | 8 8 12 M12 DIN 985-10 |
| 209 | 1.1633.1496.0 | 2 2 3 |
| 210 | 1.1633.1495.0 | 2 2 3 |
| 211 | 9.1113.0155*0 | 4 4 4 M12x40 DIN 933-10.9 |
| 212 | 9.1029.0008*0 | 4 4 6 M12 DIN 934-8 |
| 213 | 1.1646.1485.0 | - - 1 |

| REF. | ONDERDEELNR. PART NUMBER REFERENCE TEILNUMMER | AANTAL QUANTITY QUANTITE ANZAHL |
|------|--|--|
|------|--|--|



| LELYTERRA | type nummer type number numéro de type Typnummer | vanaf serienummer as from serial number après numéro de serie ab Seriennummer | LELYTERRA | type nummer type number numéro de type Typnummer | vanaf serienummer as from serial number après numéro de serie ab Seriennummer |
|---------------|---|--|-----------|---|--|
| 300 - 35 | 1.1645.9020.1 | 991 - 0501 | 350 - 35 | 1.1647.0030.1 | 991 - 0501 |
| | 1.1645.9021.1 | 1000 - 0501 | | 1.1647.0031.1 | 1000 - 0501 |
| | 1.1645.9022.1 | 1005 - 0501 | | 1.1647.0032.1 | 10502 - 0758 |
| | 1.1645.9023.1 | 10204 - 0501 | | 1.1647.0040.1 | 10505 - 0501 |
| | 1.1645.9030.1 | 10310 - 0501 | | | |
| 1.1645.9031.1 | 10505 - 0501 | | | | |
| | | | 400 - 35 | 1.1646.9082.1 | 1005 - 0501 |



C112.02.00

| REF. | ONDERDEELNR. PART NUMBER REFERENCE TEILNUMMER | AANTAL QUANTITY QUANTITE ANZAHL |
|------|--|--|
|------|--|--|

| REF. | ONDERDEELNR. PART NUMBER REFERENCE TEILNUMMER | AANTAL QUANTITY QUANTITE ANZAHL |
|------|--|--|
|------|--|--|

300 350 400 LELYTERRA-35

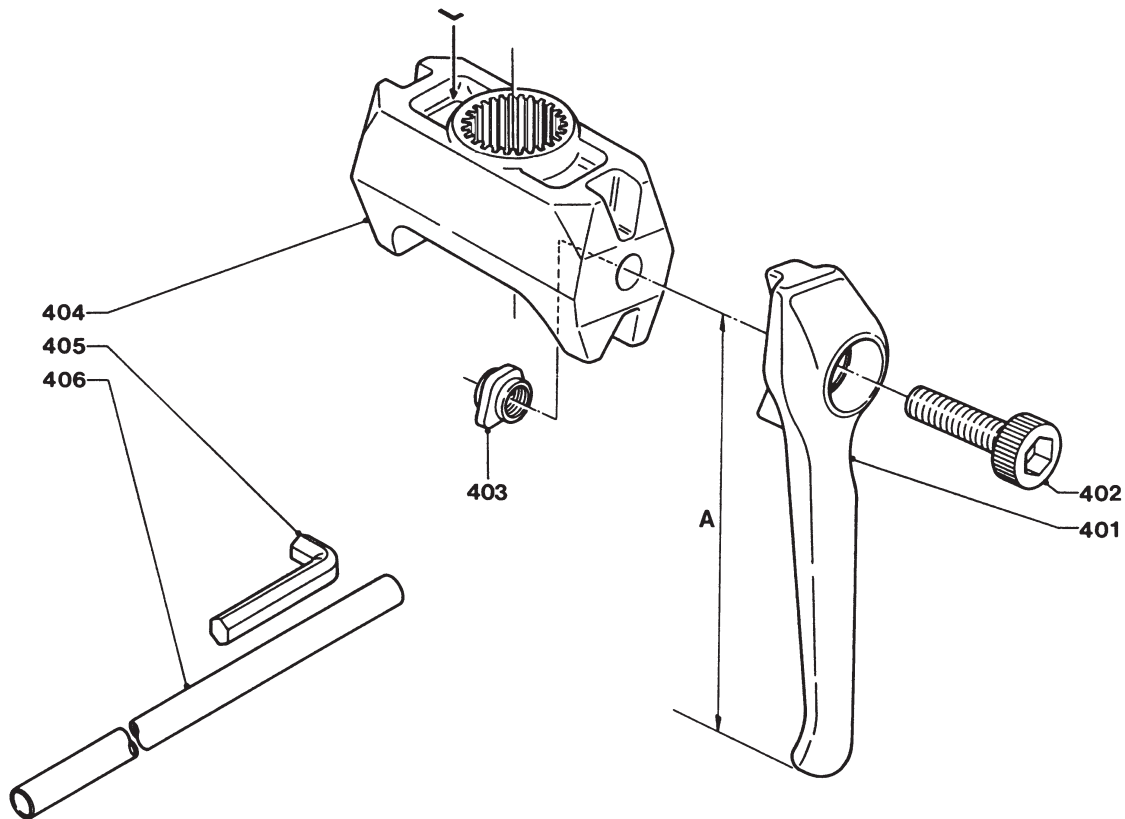
300 350 400 LELYTERRA-35

| | | | |
|-----|---------------|----------|---------------------|
| 301 | 9.1113.0115*2 | 44 52 60 | M10x40 DIN 931-10.9 |
| 302 | 1.1645.0689.0 | 9 12 14 | (+REF. 155) |
| 303 | 1.1645.0688.0 | 9 12 15 | (+REF. 156) |
| 304 | 9.1001.0094.2 | 11 13 15 | 6308 2Z-C3 |
| 305 | 1.1632.1479.0 | 11 13 15 | |
| 306 | 1.1632.1480.0 | 22 26 30 | |
| 307 | 1.1632.1476.0 | 11 13 15 | |
| 308 | 1.1645.0687.0 | 9 13 15 | |
| | 1.1645.0789.0 | 2 - - | [x] [R]+[L] |
| 309 | 1.1645.0686.0 | 11 13 15 | |
| | 1.1645.0719.0 | 1 1 1 | [x] |
| 310 | 1.1645.0685.0 | 11 13 15 | |
| 311 | 1.1645.0684.0 | 12 14 16 | |
| 312 | 1.1645.0683.0 | 11 13 15 | |
| | 1.1645.0718.0 | 1 1 1 | [x] |
| 313 | 9.1057.0018.3 | 60 70 80 | M10x30 DIN 912-12.9 |
| 314 | 9.1042.0070.0 | 11 13 15 | 70x95x10 DB [» «] |
| | 9.1042.0071.1 | 1 1 1 | 90x110x8 DB [» «] |
| 315 | 9.1001.0110.4 | 12 14 16 | 6310 2RS1-C3-MT33B |
| 316 | 9.1120.0016.1 | 11 13 15 | 110x4,00 DIN 472 |
| 317 | 9.1106.0023.1 | 24 28 32 | 70x110x6,35 |
| 318 | 1.1645.0682.0 | 12 14 16 | |

| | | | |
|-----|---------------|----------|----------------------------|
| 319 | 1.1645.0681.0 | 12 14 16 | [] |
| 320 | 1.1632.1481.0 | 11 13 15 | (+ REF. 060) [] |
| 321 | 9.1031.0004.1 | 11 13 15 | M24x1,5 DIN937-8(+REF.061) |
| 322 | 9.1072.0007.5 | 12 14 16 | 5x45 DIN 94 |



| LELYTERRA | type nummer type number numéro de type Typnummer | vanaf serienummer as from serial number après numéro de serie ab Seriennummer | LELYTERRA | type nummer type number numéro de type Typnummer | vanaf serienummer as from serial number après numéro de serie ab Seriennummer |
|---------------|---|--|-----------|---|--|
| 300 - 35 | 1.1645.9010.1 | 984 - 0501 | 350 - 35 | 1.1647.0020.1 | 984 - 0501 |
| | 1.1645.9020.1 | 991 - 0501 | | 1.1647.0030.1 | 991 - 0501 |
| | 1.1645.9021.1 | 1000 - 0501 | | 1.1647.0031.1 | 1000 - 0501 |
| | 1.1645.9022.1 | 1005 - 0501 | | 1.1647.0032.1 | 1005 - 0501 |
| | 1.1645.9023.1 | 10204 - 0501 | | 1.1647.0040.1 | 10505 - 0501 |
| | 1.1645.9030.1 | 10310 - 0501 | | | |
| 1.1645.9031.1 | 10505 - 0501 | | | | |
| | | | 400 - 35 | 1.1646.9082.1 | 1005 - 0501 |



C106.03.00

| REF. | ONDERDEELNR. PART NUMBER REFERENCE TEILNUMMER | AANTAL QUANTITY QUANTITE ANZAHL | |
|------|--|--|--|
|------|--|--|--|

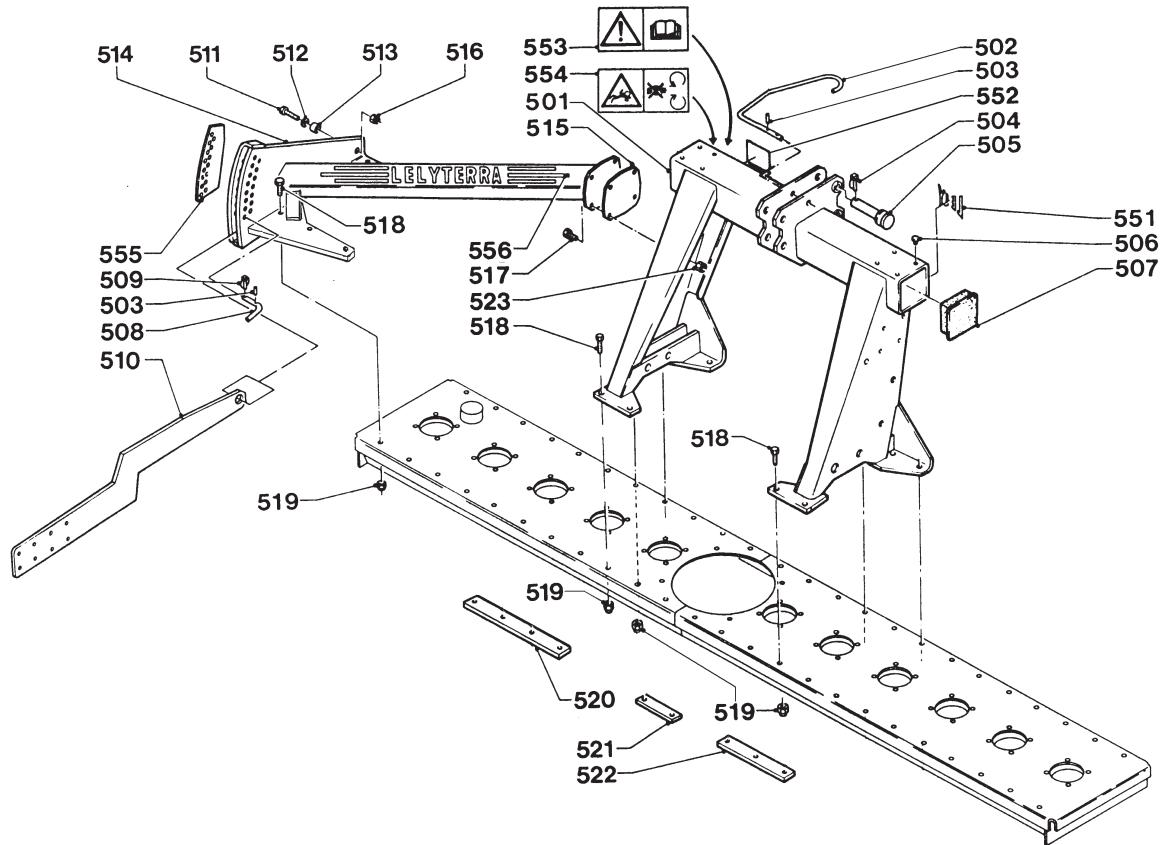
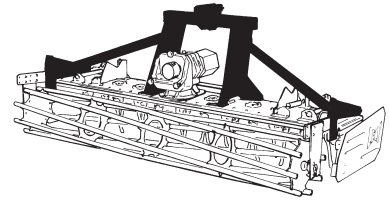
300 350 400 LELYTERRA-35

| | | | |
|-----|---------------|----------------|----------------------|
| | | | A= 296 mm |
| 401 | 1.1699.0111.0 | 12 14 16 | [LD] Druppeltanden |
| | 1.1699.0112.0 | 12 14 16 | [RD][x] Club tines |
| | | | Dents a gouttes |
| | | | Tropfenzinken |
| | | | A= 296 mm |
| 401 | 1.1699.0122.0 | (12) (14) (16) | [LD][x] Mestanden |
| | 1.1699.0123.0 | (12) (14) (16) | [RD][x] Blade tines |
| | | | Dents couteaux |
| | | | Messerzinken |
| | | | A= 336 mm |
| 401 | 1.1699.0124.0 | (12) (14) (16) | [LD][x] Lange tanden |
| | 1.1699.0125.0 | (12) (14) (16) | [RD][x] Long tines |
| | | | Dents longs |
| | | | Lange zinken |
| 402 | 9.1057.0035.6 | 24 28 32 | M20x70 DIN 912-12.9 |
| 403 | 1.1645.0419.0 | 24 28 32 | |
| 404 | 1.1645.0389.0 | 6 7 8 | [LD] |
| | 1.1645.0409.0 | 6 7 8 | [RD][x] |
| 405 | 9.1074.0020.2 | 1 1 1 | SLW 17 |
| 406 | 9.9002.0002.0 | 1 1 1 | |

| REF. | ONDERDEELNR. PART NUMBER REFERENCE TEILNUMMER | AANTAL QUANTITY QUANTITE ANZAHL | |
|------|--|--|--|
|------|--|--|--|

LELY

| LELYTERRA | type nummer type number numéro de type Typnummer | vanaf serienummer as from serial number après numéro de serie ab Seriennummer |
|-----------|---|--|
| 300 - 35 | 1.1645.9022.1 | 10502 - 3353 |
| | 1.1645.9023.1 | 10502 - 0562 |
| 350 - 35 | 1.1647.0032.1 | 10502 - 0758 |



C113.03.20

| REF. | ONDERDEELNR. PART NUMBER REFERENCE TEILNUMMER | AANTAL QUANTITY QUANTITE ANZAHL | 300 350 | LELYTERRA-35 |
|------|--|--|---------|--------------|
|------|--|--|---------|--------------|

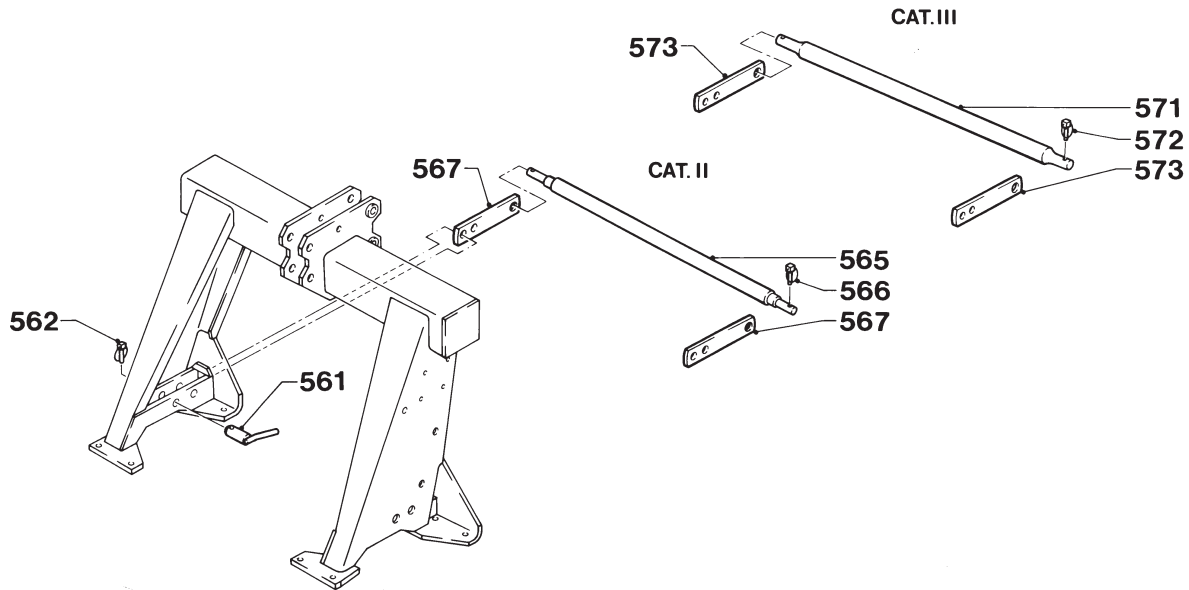
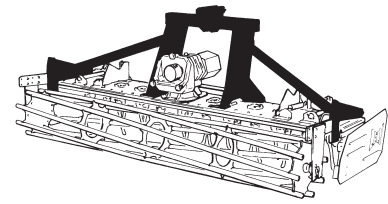
| | | | | |
|-----|---------------|----|----|----------------------------|
| 501 | 1.1645.0760.0 | 1 | 1 | |
| 502 | 1.1645.4187.0 | 1 | 1 | |
| 503 | 9.1070.0017.3 | 4 | 4 | Ø6x30 DIN 1481 |
| 504 | 9.1123.0002*5 | 1 | 1 | Ø11 |
| 505 | 9.1088.0005.1 | 1 | 1 | 25-95 |
| 506 | 9.1108.0047.3 | 8 | 8 | Ø11,7 |
| 507 | 9.1108.0044.0 | 2 | 2 | 100x100 |
| 508 | 1.1659.1496.0 | 2 | 2 | |
| 509 | 9.1123.0003*6 | 2 | 2 | Ø6 |
| 510 | 1.1655.0609.0 | 2 | 2 | 18 MM= Ø 430, Ø 440, Ø 500 |
| 511 | 9.1113.0081*3 | 2 | 2 | M16x60 DIN 931-8.8 |
| 512 | 9.1048.0043*2 | 2 | 2 | A17 DIN 7349 |
| 513 | 1.1655.0608.0 | 2 | 2 | |
| 514 | 1.1645.0860.0 | 1 | - | [L] |
| | 1.1647.0162.0 | - | 1 | [L] |
| | 1.1645.0850.0 | 1 | - | [R][x] |
| | 1.1647.0152.0 | - | 1 | [R][x] |
| 515 | 1.1645.1499.0 | 2 | 2 | |
| 516 | 9.1030.0014*5 | 2 | 2 | M16 DIN 985-8 |
| 517 | 9.1113.0276*2 | 8 | 8 | M10x30 DIN 933-10.9 |
| 518 | 9.1113.0233*1 | 14 | 14 | M12x55 DIN 931-10.9 |
| 519 | 9.1030.0024*1 | 14 | 14 | M12 DIN 985-10 |

| REF. | ONDERDEELNR. PART NUMBER REFERENCE TEILNUMMER | AANTAL QUANTITY QUANTITE ANZAHL | 300 350 | LELYTERRA-35 |
|------|--|--|---------|--------------|
|------|--|--|---------|--------------|

| | | | | |
|-----|---------------|-----|-----|--------------------------------------|
| 520 | 1.1624.1486.0 | 1 | 1 | |
| 521 | 1.1624.1477.0 | 2 | 2 | |
| 522 | 1.1624.1485.0 | 4 | 4 | |
| 523 | 9.1030.0018*2 | 8 | 8 | M10 DIN 985-10 |
| 551 | 9.1170.0200.2 | 1 | 1 | "LELY" |
| 552 | 9.1170.0087.1 | 1 | 1 | "Ø10/1= 540/min" "Ø9/0= 1000/min" |
| 552 | 9.1170.0338.0 | (1) | (1) | "Ø9/2= 540/min" "Ø9/0= 1000/min" |
| 553 | 9.1170.0408.0 | 1 | 1 | |
| 554 | 9.1170.0407.6 | 1 | 1 | |
| 555 | 9.1170.0275.0 | 1 | 1 | "ABCD" [L] |
| | 9.1170.0276.1 | 1 | 1 | "ABCD" [R][x] |
| 556 | 9.1170.0292.3 | 1 | 1 | "LELYTERRA" [L] |
| | 9.1170.0293.4 | 1 | 1 | "LELYTERRA" [R][x] |

LELY

| LELYTERRA | type nummer type number numéro de type Typnummer | vanaf serienummer as from serial number après numéro de serie ab Seriennummer |
|-----------|---|--|
| 300 - 35 | 1.1645.0010.1 | 984 - 0501 |
| | 1.1645.9020.1 | 991 - 0501 |
| | 1.1645.9021.1 | 1000 - 0501 |
| | 1.1645.9022.1 | 1005 - 0501 |
| | 1.1645.9023.1 | 10204 - 0501 |
| 350 - 35 | 1.1647.0020.1 | 984 - 0501 |
| | 1.1647.0030.1 | 991 - 0501 |
| | 1.1647.0031.1 | 1000 - 0501 |
| | 1.1647.0032.1 | 1005 - 0501 |



C114.01.10

| REF. | ONDERDEELNR. PART NUMBER REFERENCE TEILNUMMER | AANTAL QUANTITY QUANTITE ANZAHL |
|------|--|--|
|------|--|--|

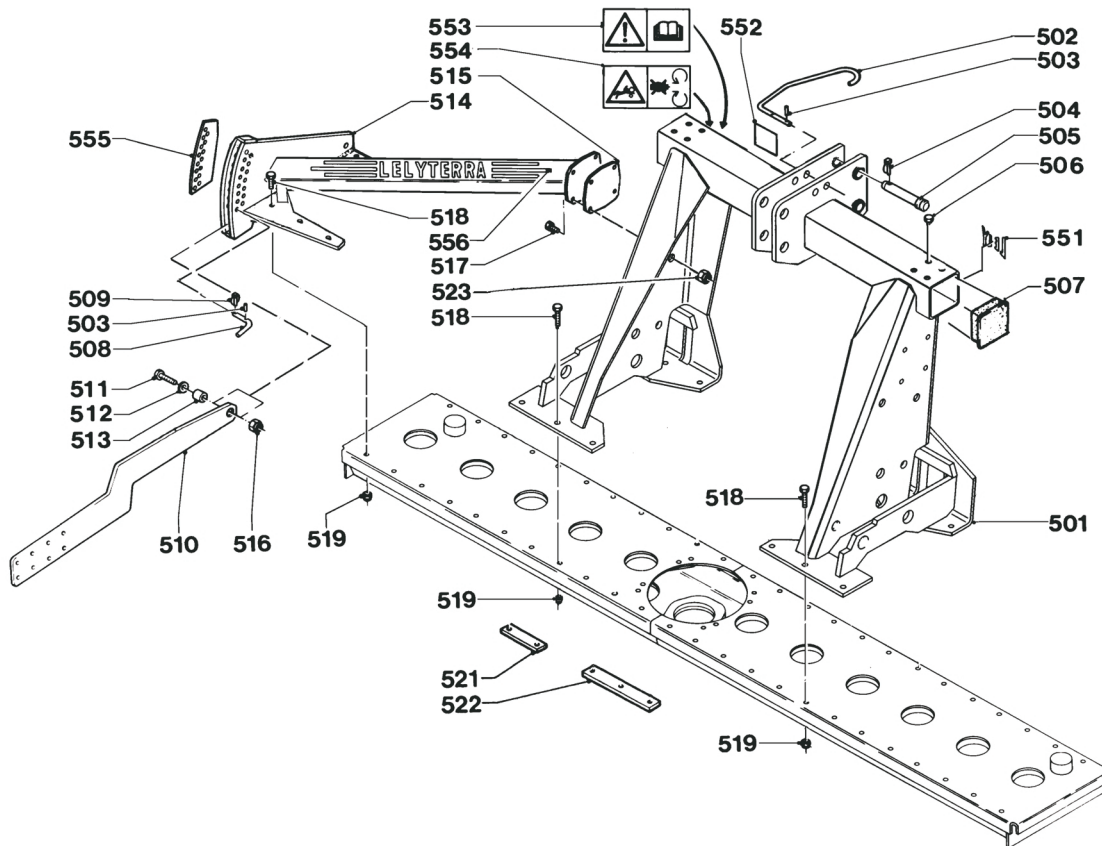
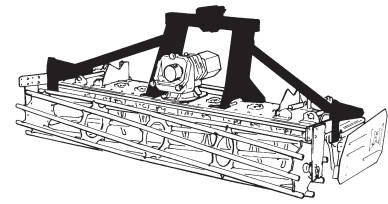
| | | |
|-----|---------------|---|
| 561 | 1.1645.0130.0 | 2 |
| 562 | 9.1123.0004*0 | 2 |
| 565 | 1.1625.0269.0 | 1 |
| 566 | 9.1123.0002*5 | 2 |
| 567 | 1.1645.2869.0 | 2 |
| 567 | 1.1645.2899.0 | 2 |
| 571 | 1.1625.2497.0 | 1 |
| 572 | 9.1123.0009.5 | 2 |
| 573 | 1.1645.2869.0 | 2 |
| 573 | 1.1645.2899.0 | 2 |

| REF. | ONDERDEELNR. PART NUMBER REFERENCE TEILNUMMER | AANTAL QUANTITY QUANTITE ANZAHL |
|------|--|--|
|------|--|--|

| | | | |
|--|--|--|---------|
| | | | Ø8 |
| | | | Ø47 |
| | | | Ø11 |
| | | | Ø38 |
| | | | Ø38 [x] |
| | | | Ø47 |
| | | | Ø16 |
| | | | Ø38 |
| | | | Ø38 [x] |

LELY

| LELYTERRA | type nummer type number numéro de type Typnummer | vanaf serienummer as from serial number après numéro de serie ab Seriennummer |
|-----------|---|--|
| 300 - 35 | 1.1645.9030.1 | 10505 - 0651 |
| | 1.1645.9031.1 | 10505 - 0501 |
| 350 - 35 | 1.1647.0040.1 | 10505 - 0501 |



C148.01.00

| REF. | ONDERDEELNR. PART NUMBER REFERENCE TEILNUMMER | AANTAL QUANTITY QUANTITE ANZAHL | 300 | 350 | LELYTERRA-35 |
|------|--|--|-----|-----|--------------|
|------|--|--|-----|-----|--------------|

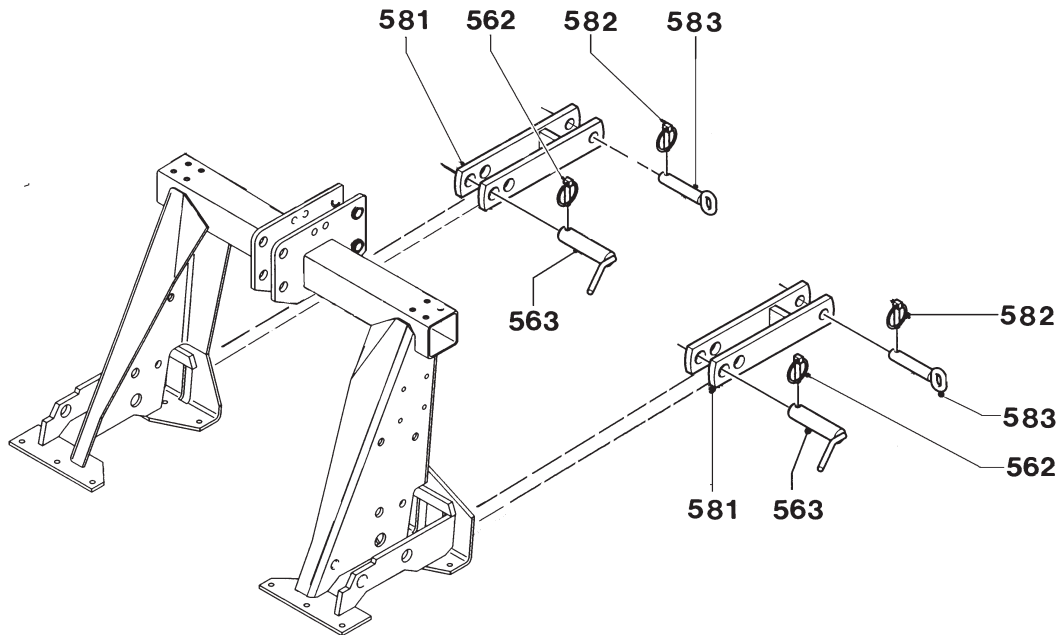
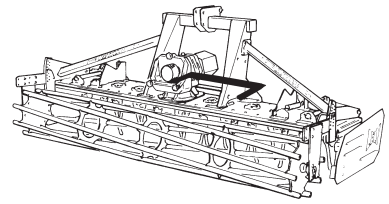
| | | | | | |
|-----|---------------|----|----|--|----------------------------|
| 501 | 1.1645.3300.0 | 1 | 1 | | |
| 502 | 1.1645.1493.0 | 1 | 1 | | |
| 503 | 9.1070.0017.3 | 4 | 4 | | Ø6x30 DIN 1481 |
| 504 | 9.1123.0002*5 | 1 | 1 | | Ø11 |
| 505 | 9.1088.0004.0 | 1 | 1 | | 25-105 |
| 506 | 9.1108.0047.3 | 8 | 8 | | Ø11,7 |
| 507 | 9.1108.0044.0 | 2 | 2 | | 100x100 |
| 508 | 1.1659.1496.0 | 2 | 2 | | |
| 509 | 9.1123.0003*6 | 2 | 2 | | Ø6 |
| 510 | 1.1655.0609.0 | 2 | 2 | | 18 MM= Ø 430, Ø 440, Ø 500 |
| 511 | 9.1113.0081*3 | 2 | 2 | | M16x60 DIN 931-8.8 |
| 512 | 9.1048.0043*2 | 2 | 2 | | A17 DIN 7349 |
| 513 | 1.1655.0608.0 | 2 | 2 | | [] |
| 514 | 1.1645.0860.0 | 1 | - | | [L] |
| | 1.1647.0162.0 | - | 1 | | [L] |
| | 1.1645.0850.0 | 1 | - | | [R][x] |
| | 1.1647.0152.0 | - | 1 | | [R][x] |
| 515 | 1.1645.1499.0 | 2 | 2 | | |
| 516 | 9.1030.0014*5 | 2 | 2 | | M16 DIN 985-8 |
| 517 | 9.1113.0150*2 | 8 | 8 | | M10x35 DIN 933-10.9 |
| 518 | 9.1113.0233*1 | 14 | 14 | | M12x55 DIN 931-10.9 |
| 519 | 9.1030.0024*1 | 14 | 14 | | M12 DIN 985-10 |

| REF. | ONDERDEELNR. PART NUMBER REFERENCE TEILNUMMER | AANTAL QUANTITY QUANTITE ANZAHL | 300 | 350 | LELYTERRA-35 |
|------|--|--|-----|-----|--------------|
|------|--|--|-----|-----|--------------|

| | | | | | |
|-----|---------------|-----|-----|--|--------------------|
| 521 | 1.1624.1477.0 | 2 | 2 | | |
| 522 | 1.1624.1485.0 | 4 | 4 | | |
| 523 | 9.1030.0018*2 | 8 | 8 | | M10 DIN 985-10 |
| 551 | 9.1170.0200.2 | 1 | 1 | | "LELY" |
| 552 | 9.1170.0087.1 | 1 | 1 | | "Ø10/1= 540/min" |
| | | | | | "Ø9/0= 1000/min" |
| 552 | 9.1170.0338.0 | (1) | (1) | | "Ø9/2= 540/min" |
| | | | | | "Ø9/0= 1000/min" |
| 553 | 9.1170.0408.0 | 1 | 1 | | |
| 554 | 9.1170.0407.6 | 1 | 1 | | |
| 555 | 9.1170.0275.0 | 1 | 1 | | "ABCD" [L] |
| | 9.1170.0276.1 | 1 | 1 | | "ABCD" [R][x] |
| 556 | 9.1170.0292.3 | 1 | 1 | | "LELYTERRA" [L] |
| | 9.1170.0293.4 | 1 | 1 | | "LELYTERRA" [R][x] |

LELY

| LELYTERRA | type number type number numéro de type Typnummer | vanaf serienummer as from serial number après numéro de serie ab Seriennummer |
|-----------|---|--|
| 300 - 35 | 1.1645.9030.1 | 10310 - 0501 |
| | 1.1645.9031.1 | 10505 - 0501 |
| 350 - 35 | 1.1647.0040.1 | 10505 - 0501 |



C147.01.00

| REF. | ONDERDEELNR. PART NUMBER REFERENCE TEILNUMMER | AANTAL QUANTITY QUANTITE ANZAHL |
|------|--|--|
|------|--|--|

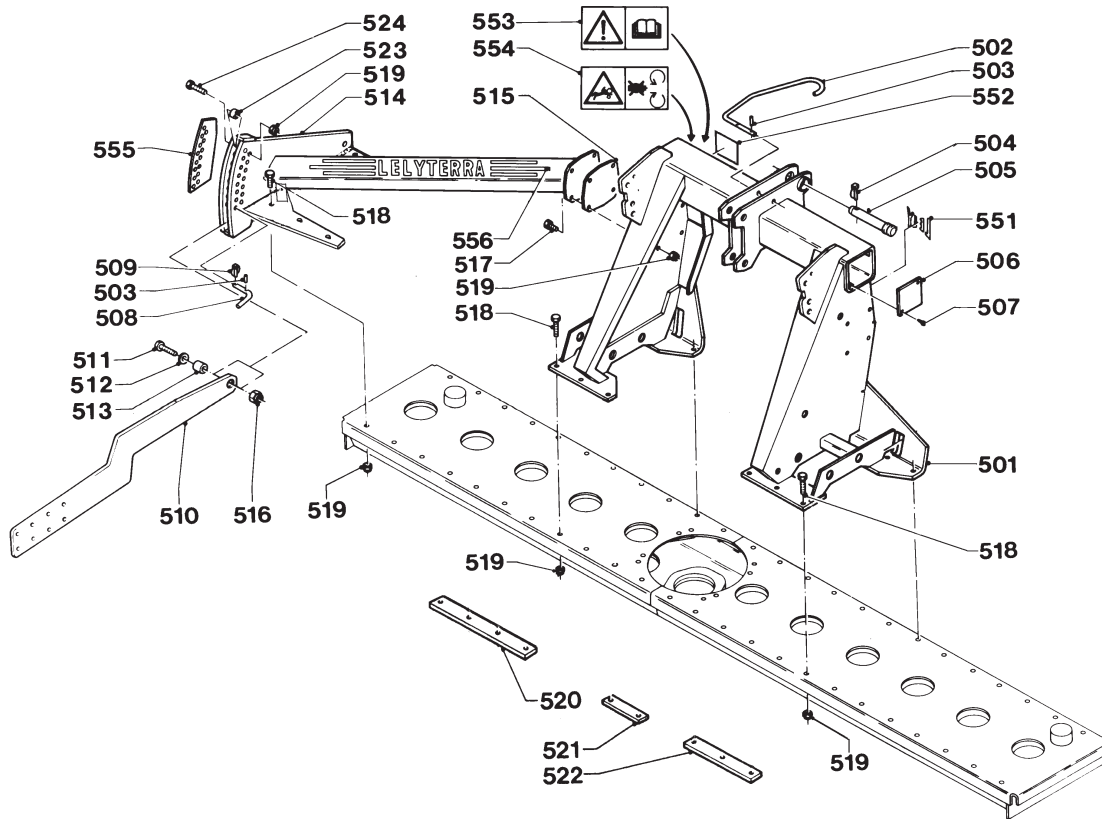
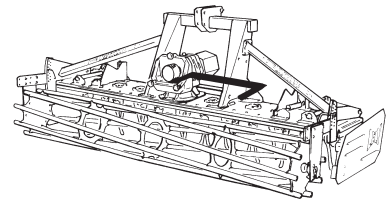
300 350 LELYTERRA-35

| | | |
|-----|---------------|---------|
| 562 | 9.1123.0004*0 | 2 2 Ø8 |
| 563 | 1.1645.3330.0 | 2 2 |
| 581 | 1.1645.3320.0 | 2 2 |
| 582 | 9.1123.0002*5 | 2 2 Ø11 |
| 583 | 1.1804.0310.0 | 2 2 |

| REF. | ONDERDEELNR. PART NUMBER REFERENCE TEILNUMMER | AANTAL QUANTITY QUANTITE ANZAHL |
|------|--|--|
|------|--|--|

LELY

| LELYTERRA | type nummer type number numéro de type Typnummer | vanaf serienummer as from serial number après numéro de serie ab Seriennummer |
|-----------|---|--|
| 400 - 35 | 1.1646.9082.1 | 10501 - 0543 |



C107.05.11

| REF. | ONDERDEELNR. PART NUMBER REFERENCE TEILNUMMER | AANTAL QUANTITY QUANTITE ANZAHL | |
|------|--|--|--|
|------|--|--|--|

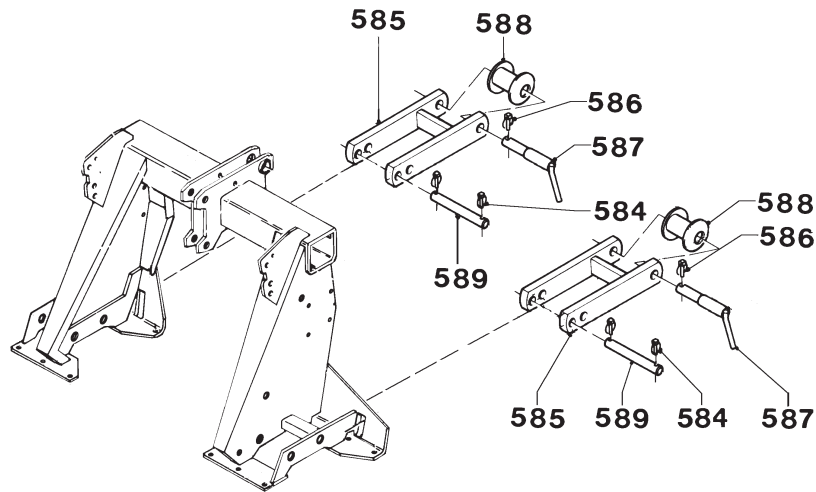
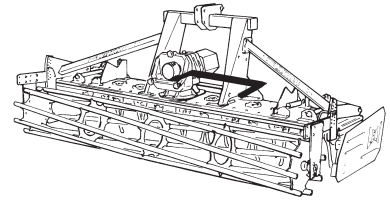
| | | | |
|-----|---------------|----|---------------------|
| 501 | 1.1655.0431.0 | 1 | |
| 502 | 1.1606.4187.0 | 1 | |
| 503 | 9.1070.0017.3 | 4 | Ø6x30 DIN 1481 |
| 504 | 9.1123.0002*5 | 1 | Ø11 |
| 505 | 9.1088.0008*4 | 1 | 32-125 |
| 506 | 1.1624.1482.0 | 2 | |
| 507 | 9.1064.0002.1 | 4 | |
| 508 | 1.1636.1496.0 | 2 | |
| 509 | 9.1123.0003*6 | 2 | Ø6 |
| 510 | 1.1655.0605.0 | 2 | 25 MM Ø 500 |
| | 1.1656.0649.0 | 2 | 25 MM Ø 520 |
| 511 | 9.1113.0082*4 | 2 | M16x65 DIN 931-8.8 |
| 512 | 9.1048.0043*2 | 2 | A17 DIN 7349 |
| 513 | 1.1655.0604.0 | 2 | |
| 514 | 1.1656.0242.0 | 1 | [L] |
| | 1.1656.0232.0 | 1 | [R][x] |
| 515 | 1.1645.1493.0 | 2 | |
| 516 | 9.1030.0014*5 | 2 | M16 DIN 985-8 |
| 517 | 9.1113.0259*6 | 8 | M12x35 DIN 933-10.9 |
| 518 | 9.1113.0233*1 | 18 | M12x55 DIN 931-10.9 |
| 519 | 9.1030.0024*1 | 28 | M12 DIN 985-10 |
| 520 | 1.1624.1486.0 | 2 | |
| 521 | 1.1624.1477.0 | 2 | |
| 522 | 1.1624.1485.0 | 2 | |
| 523 | 1.1645.2392.0 | 2 | |
| 524 | 9.1113.0242*3 | 2 | M12x60 DIN 931-10.9 |

| REF. | ONDERDEELNR. PART NUMBER REFERENCE TEILNUMMER | AANTAL QUANTITY QUANTITE ANZAHL | |
|------|--|--|--|
|------|--|--|--|

| | | | |
|-----|---------------|---|-------------------------------------|
| 551 | 9.1170.0200.2 | 1 | "LELY" |
| 552 | 9.1170.0087.1 | 1 | "Ø10/1= 540/min" "Ø9/0=1000/min" |
| 553 | 9.1170.0408.0 | 1 | |
| 554 | 9.1170.0407.6 | 1 | |
| 555 | 9.1170.0275.0 | 1 | "ABCD" [L] |
| | 9.1170.0276.1 | 1 | "ABCD" [R][x] |
| 556 | 9.1170.0290.1 | 1 | "LELYTERRA" [L] |
| | 9.1170.0291.2 | 1 | "LELYTERRA" [R][x] |

LELY

| LELYTERRA | type nummer type number numéro de type Typnummer | vanaf serienummer as from serial number après numéro de serie ab Seriennummer |
|-----------|---|--|
| 400 - 35 | 1.1646.9082.1 | 1005 - 0501 |



C146.01.00

| REF. | ONDERDEELNR. PART NUMBER REFERENCE TEILNUMMER | AANTAL QUANTITY QUANTITE ANZAHL |
|------|--|--|
|------|--|--|

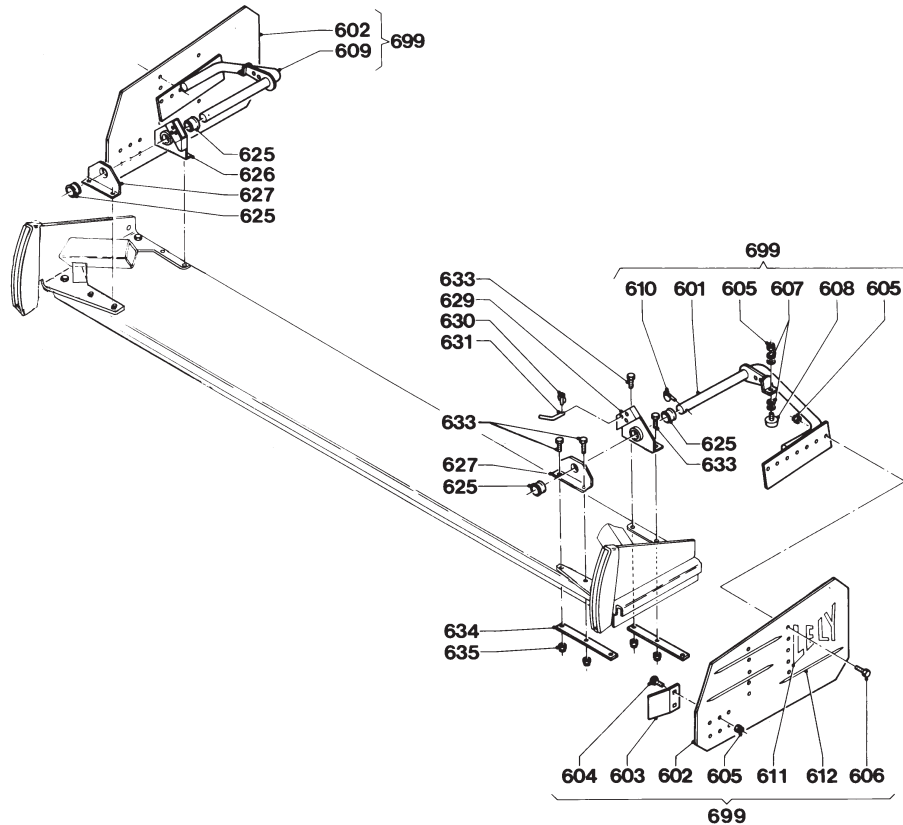
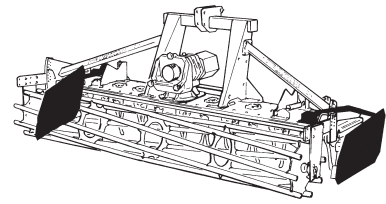
400 LELYTERRA-35

| | | | |
|-----|---------------|-----|-----|
| 584 | 9.1123.0004*0 | 4 | Ø8 |
| 585 | 1.1655.0900.0 | 2 | |
| 586 | 9.1123.0002*5 | 2 | Ø11 |
| 587 | 1.1655.0530.0 | 2 | |
| 588 | 1.1655.0680.0 | (2) | |
| 589 | 1.1655.1492.0 | 2 | |

| REF. | ONDERDEELNR. PART NUMBER REFERENCE TEILNUMMER | AANTAL QUANTITY QUANTITE ANZAHL |
|------|--|--|
|------|--|--|

LELY

| LELYTERRA | type nummer type number numéro de type Typnummer | vanaf serienummer as from serial number après numéro de serie ab Seriennummer |
|-----------|---|--|
| 300 - 35 | 1.1645.9022.1 | 10502 - 3353 |
| | 1.1645.9023.1 | 10502 - 0562 |
| | 1.1645.0030.1 | 10505 - 0651 |
| | 1.1645.0031.1 | 10505 - 0501 |
| 350 - 35 | 1.1647.0032.1 | 10502 - 0758 |
| | 1.1647.0040.1 | 10505 - 0501 |
| 400 - 35 | 1.1646.9082.1 | 10501 - 0543 |



C108.02.10

| REF. | ONDERDEELNR. PART NUMBER REFERENCE TEILNUMMER | AANTAL QUANTITY QUANTITE ANZAHL | |
|------|--|--|--|
|------|--|--|--|

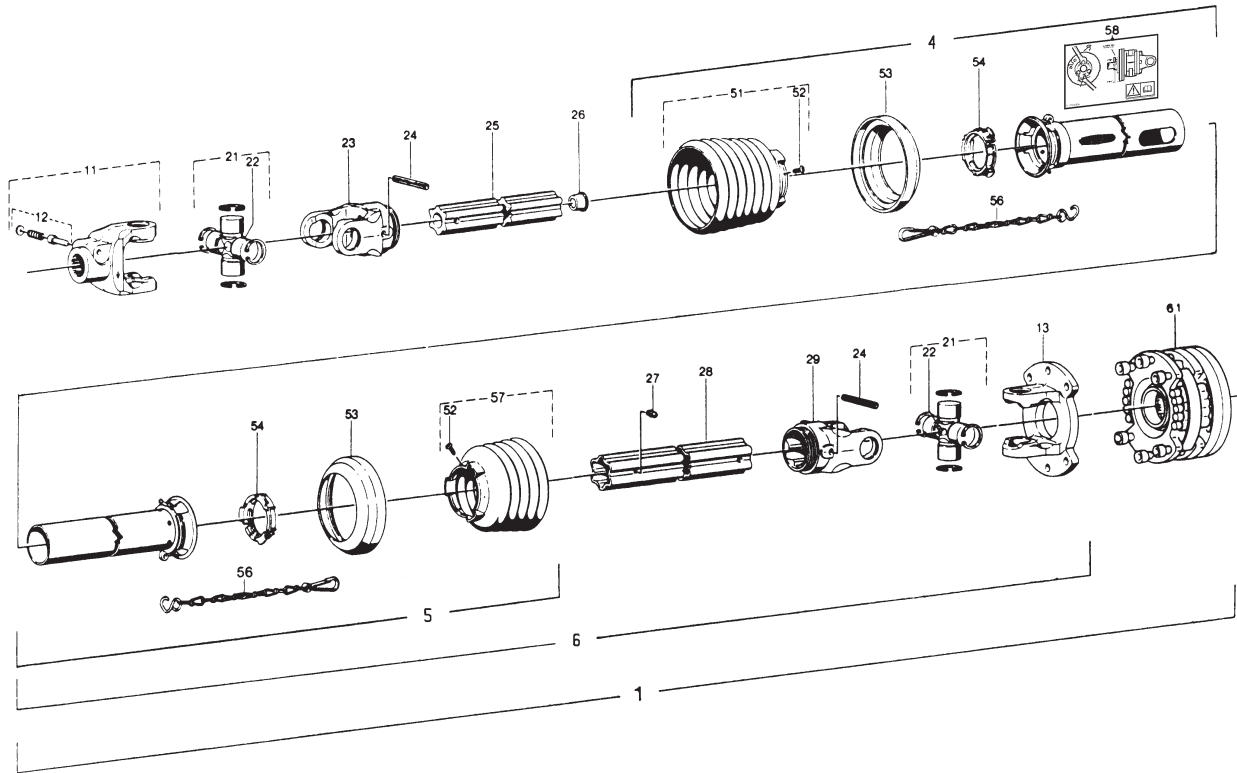
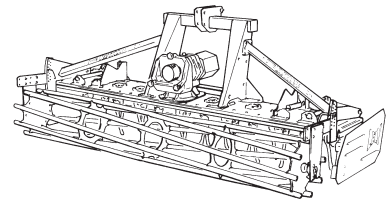
| | | 300 | 350 | 400 | LELYTERRA |
|-----|---------------|-----|-----|-----|---------------------|
| 601 | 1.1625.2281.0 | 1 | 1 | 1 | [R] |
| 602 | 1.1645.0156.0 | 2 | 2 | 2 | |
| 603 | 1.1645.0157.0 | 2 | 2 | 2 | |
| 604 | 9.1058.0027*4 | 4 | 4 | 4 | M10x25 DIN 603 |
| 605 | 9.1030.0004*2 | 10 | 10 | 10 | M10 DIN 985-8 |
| 606 | 9.1113.0120*0 | 4 | 4 | 4 | M10x30 DIN 933-8.8 |
| 607 | 9.1048.0007*1 | 8 | 8 | 8 | A10,5 DIN 125 [] |
| 608 | 9.1105.0011.4 | 2 | 2 | 2 | M10x28 |
| 609 | 1.1625.2271.0 | 1 | 1 | 1 | [L] |
| 610 | 9.1123.0004*0 | 2 | 2 | 2 | Ø8 |
| 611 | 9.1170.0113.6 | 2 | 2 | 2 | "LELY" |
| 612 | 9.1170.0179.2 | 6 | 6 | 6 | |
| 625 | 1.1636.1484.0 | 4 | 4 | 4 | |
| 626 | 1.1655.0492.0 | 1 | - | - | [L] |
| 626 | | - | 1 | 1 | = 627[x] |
| 627 | 1.1655.1483.0 | 2 | 4 | 4 | |
| 629 | 1.1655.0502.0 | 1 | - | - | [R] |
| 629 | | - | 1 | 1 | = 627[x] |
| 630 | 9.1123.0003*6 | 2 | - | - | Ø6 |
| 631 | 4.1011.0033.0 | 2 | - | - | |
| 633 | 9.1113.0233*1 | 8 | 8 | 8 | M12x55 DIN 931-10.9 |
| 634 | 1.1624.1485.0 | 4 | 4 | 4 | |
| 635 | 9.1030.0024*1 | 8 | 8 | 8 | M12 DIN 985-10 |

| REF. | ONDERDEELNR. PART NUMBER REFERENCE TEILNUMMER | AANTAL QUANTITY QUANTITE ANZAHL | |
|------|--|--|--|
|------|--|--|--|

| | | | |
|-----|---------------|---|------------------------|
| 699 | 1.1625.2260.0 | 1 | = REF. 601-612 [R]+[L] |
|-----|---------------|---|------------------------|

LELY

| LELYTERRA | type nummer type number número de type Typnummer | vanaf serienummer as from serial number après numéro de serie ab Seriennummer |
|-----------|---|--|
| 300 - 35 | | |
| 350 - 35 | | |
| 400 - 35 | | |



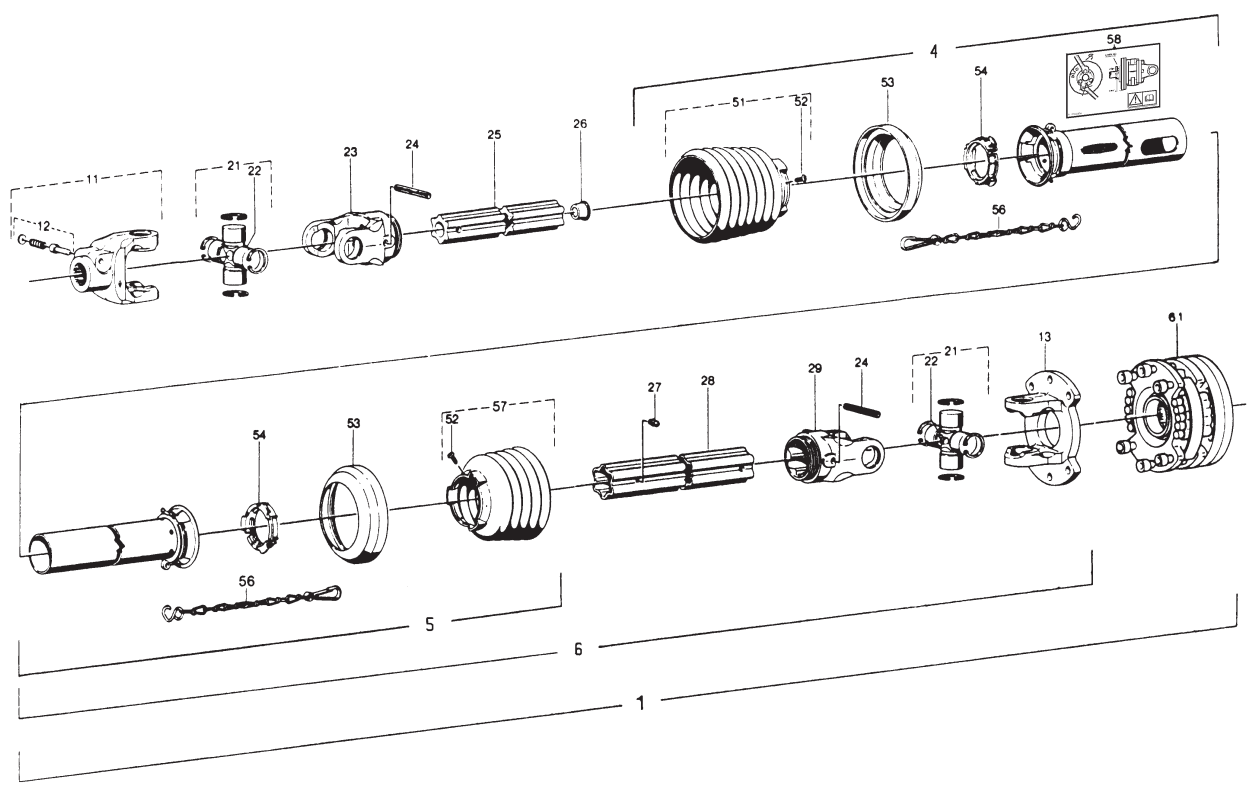
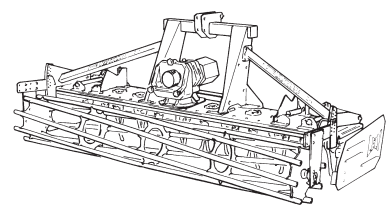
Cw001.05.21

| REF. | ONDERDEELNR. PART NUMBER REFERENCE TEILNUMMER | AANTAL QUANTITY QUANTITE ANZAHL | |
|------|--|--|--|
| 1 | 0.9001.3929.0 | 1 | W2500-SD25-710 mm-1000/min. = REF. 11-61 |
| 4 | 85.227 | 1 | SDH25; L= 470 mm |
| 5 | 85.204 | 1 | SDH25; L= 420 mm |
| 6 | 9.1154.0059.3 | 1 | W2500-710 = REF. 11-58 |
| 11 | 36.10.02 | 1 | 1.3/8" (21) |
| 12 | 33.91.07 | 1 | AGRASET 101 |
| 13 | 0.9001.1198.0 | 1 | |
| 21 | 36.00.00 | 2 | M8x1 |
| 22 | 63.27.00 | 2 | RG2500-S4 |
| 23 | 36.13.100 | 1 | Ø10x90 DIN 1481 |
| 24 | 61.05.12 | 2 | S4GA; L= 560 mm |
| 25 | 75.44.98 | 1 | |
| 26 | 68.13.22 | 1 | |
| 27 | 63.10.01 | 1 | AM5 |
| 28 | 75.45.114 | 1 | S5; L= 545 mm |
| 29 | 36.14.100 | 1 | RG2500-S5 |
| 51 | 85.26.07 | 1 | n= 7 |
| 52 | 60.15.00 | 2 | 4x10 |
| 53 | 82.85.03 | 2 | |
| 54 | 82.83.04 | 2 | |
| 56 | 82.36.03 | 2 | |
| 57 | 85.26.05 | 1 | n= 5 |
| 58 | 9.1170.0337.6 | 1 | |
| 61 | 0.9001.1630.0 0.9001.1147.1 | 1 - | LELYMATIC BA9-1.3/8" (21) (=10x Ø9-0) [x] |

| REF. | ONDERDEELNR. PART NUMBER REFERENCE TEILNUMMER | AANTAL QUANTITY QUANTITE ANZAHL | |
|------|--|--|--|
| 1 | 0.9001.3933.0 | 1 | W2500-SD25-710 mm-1000/min. = REF. 11-61 |
| 4 | 85.227 | 1 | SDH25; L= 470 mm |
| 5 | 85.204 | 1 | SDH25; L= 420 mm |
| 6 | 9.1154.0058.2 | 1 | W2500-710 = REF. 11-58 |
| 11 | 36.10.00 | 1 | 1.3/8" (6) |
| 12 | 33.91.07 | 1 | AGRASET 101 |
| 13 | 0.9001.1198.0 | 1 | |
| 21 | 36.00.00 | 2 | M8x1 |
| 22 | 63.27.00 | 2 | RG2500-S4 |
| 23 | 36.13.100 | 1 | Ø10x90 DIN 1481 |
| 24 | 61.05.12 | 2 | S4GA; L= 560 mm |
| 25 | 75.44.98 | 1 | |
| 26 | 68.13.22 | 1 | |
| 27 | 63.10.01 | 1 | AM5 |
| 28 | 75.45.114 | 1 | S5; L= 545 mm |
| 29 | 36.14.100 | 1 | RG2500-S5 |
| 51 | 85.26.07 | 1 | n= 7 |
| 52 | 60.15.00 | 2 | 4x10 |
| 53 | 82.85.03 | 2 | |
| 54 | 82.83.04 | 2 | |
| 56 | 82.36.03 | 2 | |
| 57 | 85.26.05 | 1 | n= 5 |
| 58 | 9.1170.0337.6 | 1 | |
| 61 | 0.9001.1630.0 0.9001.1147.1 | 1 - | LELYMATIC BA9-1.3/8" (21) (=10x Ø9-0) [x] |



| | | |
|-----------|---|--|
| LELYTERRA | type nummer type number número de type Typnummer | vanaf serienummer as from serial number après numéro de serie ab Seriennummer |
| 300 - 35 | | |
| 350 - 35 | | |
| 400 - 35 | | |



Cw001.05.21

| REF. | ONDERDEELNR. PART NUMBER REFERENCE TEILNUMMER | AANTAL QUANTITY QUANTITE ANZAHL | |
|------|--|--|--|
| 1 | 0.9001.4124.0 | 1 | W2500-SD25-710 mm-540/min. = REF. 11-61 |
| 4 | 85.227 | 1 | SDH25; L= 470 mm |
| 5 | 85.204 | 1 | SDH25; L= 420 mm |
| 6 | 9.1154.0058.2 | 1 | W2500-710 = REF. 11-58 |
| 11 | 36.10.00 | 1 | 1.3/8" (6) |
| 12 | 33.91.07 | 1 | AGRASET 101 |
| 13 | 0.9001.1198.0 | 1 | |
| 21 | 36.00.00 | 2 | |
| 22 | 63.27.00 | 2 | M8x1 |
| 23 | 36.13.100 | 1 | RG2500-S4 |
| 24 | 61.05.12 | 2 | Ø10x90 DIN 1481 |
| 25 | 75.44.98 | 1 | S4GA; L= 560 mm |
| 26 | 68.13.22 | 1 | |
| 27 | 63.10.01 | 1 | AM5 |
| 28 | 75.45.114 | 1 | S5; L= 545 mm |
| 29 | 36.14.100 | 1 | RG2500-S5 |
| 51 | 85.26.07 | 1 | n= 7 |
| 52 | 60.15.00 | 2 | 4x10 |
| 53 | 82.85.03 | 2 | |
| 54 | 82.83.04 | 2 | |
| 56 | 82.36.03 | 2 | |
| 57 | 85.26.05 | 1 | n= 5 |
| 58 | 9.1170.0337.6 | 1 | |
| 61 | 0.9001.1610.0 0.9001.1249.1 | 1 - | LELYMATIC BA10-1.3/8" (21) (=10x Ø10-1) [x] |

| REF. | ONDERDEELNR. PART NUMBER REFERENCE TEILNUMMER | AANTAL QUANTITY QUANTITE ANZAHL | |
|------|--|--|--|
|------|--|--|--|