



Illustrated Parts List

Model Series

543400

TYPE NUMBERS
0048 Through 0148.

TABLE OF CONTENTS

Air Cleaner	7
Alternator	11
Blower-Housing	10
Camshaft	2
Carburetor	6
Controls	9
Crankcase Cover	4
Crankshaft	2
Cylinder	2
Cylinder Head	3
Electric Starter	11
Exhaust System	8
Flywheel	10
Fuel Supply	6
Governor Springs	9
Intake Manifold	4
Kit/Gasket Valve Set	5
Kit/Gasket Engine Set	5
Piston Group	2
Valves	3



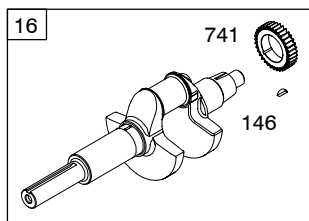
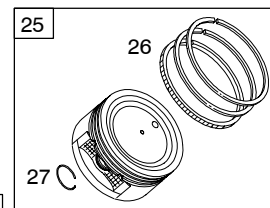
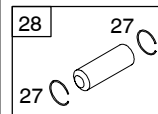
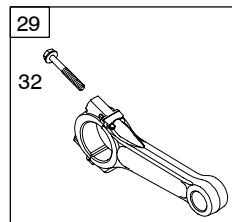
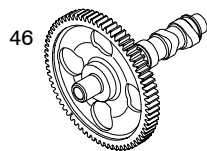
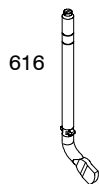
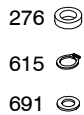
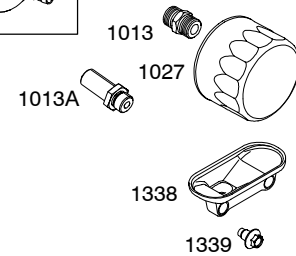
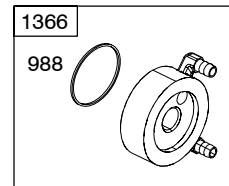
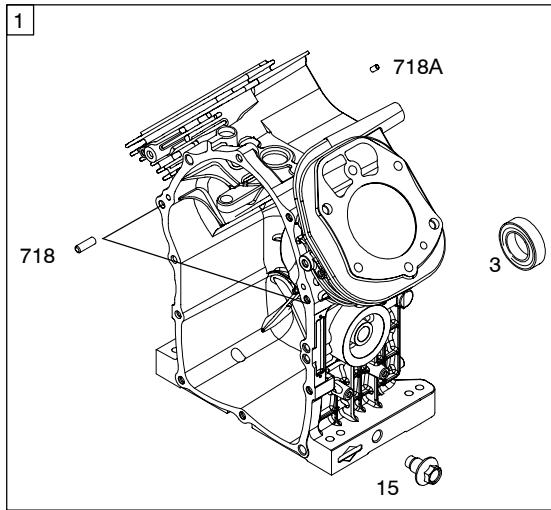
PRINTED IN U.S.A.

COPYRIGHT by BRIGGS & STRATTON CORPORATION
All rights reserved. No part of this material may be reproduced or transmitted, in any form or by any means, electronic or mechanical, including photocopying, recording or by any information storage and retrieval system, without permission in writing from Briggs & Stratton Corporation.

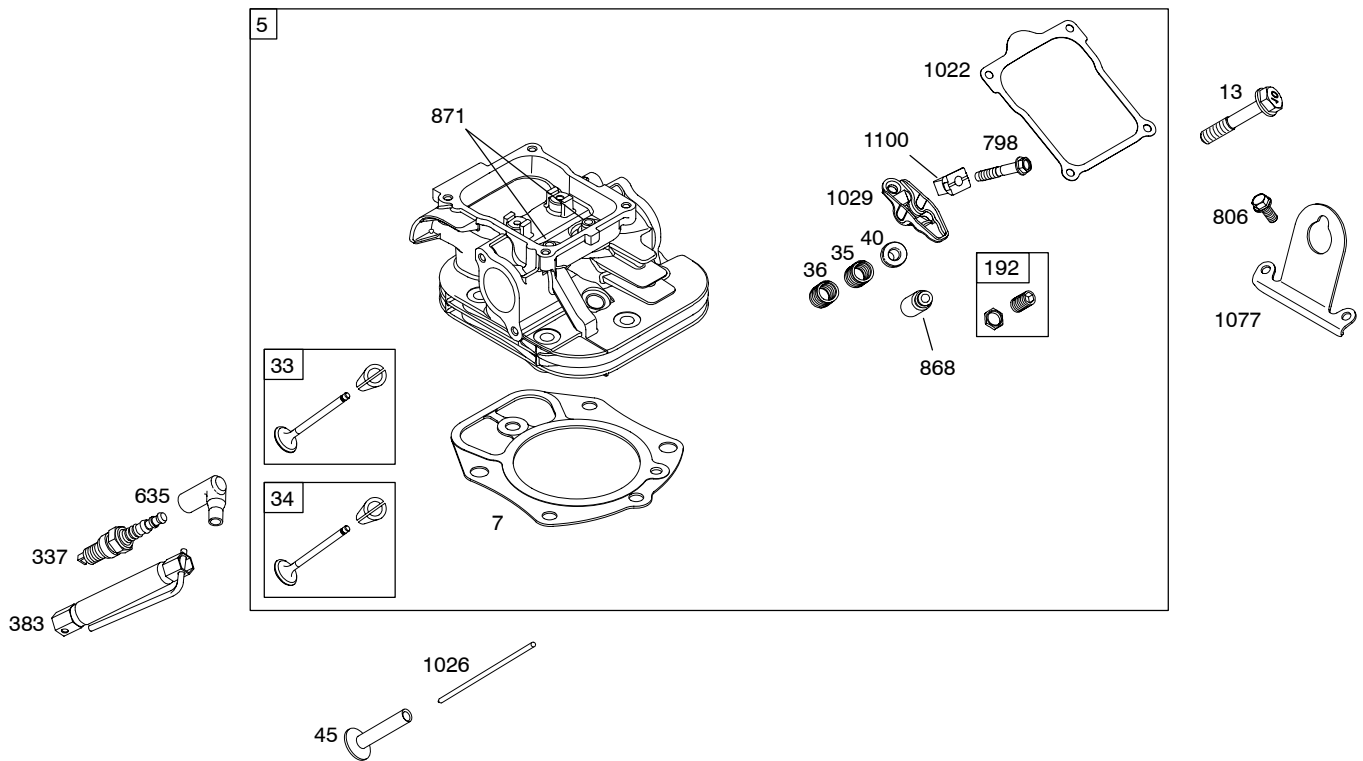
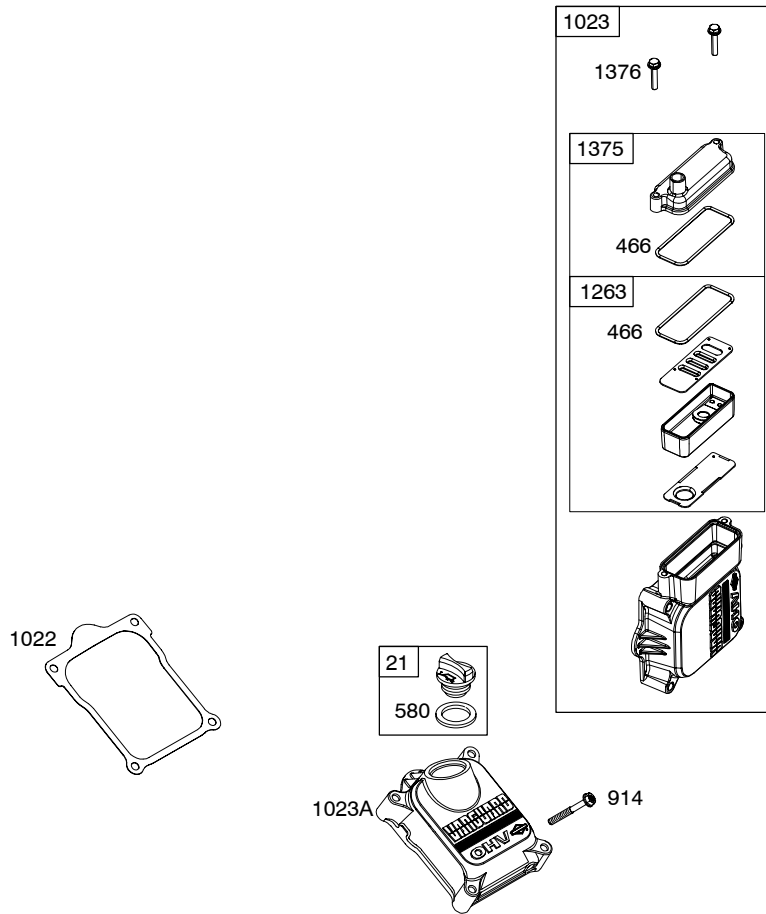
1058 OPERATOR'S MANUAL

1019 LABEL KIT

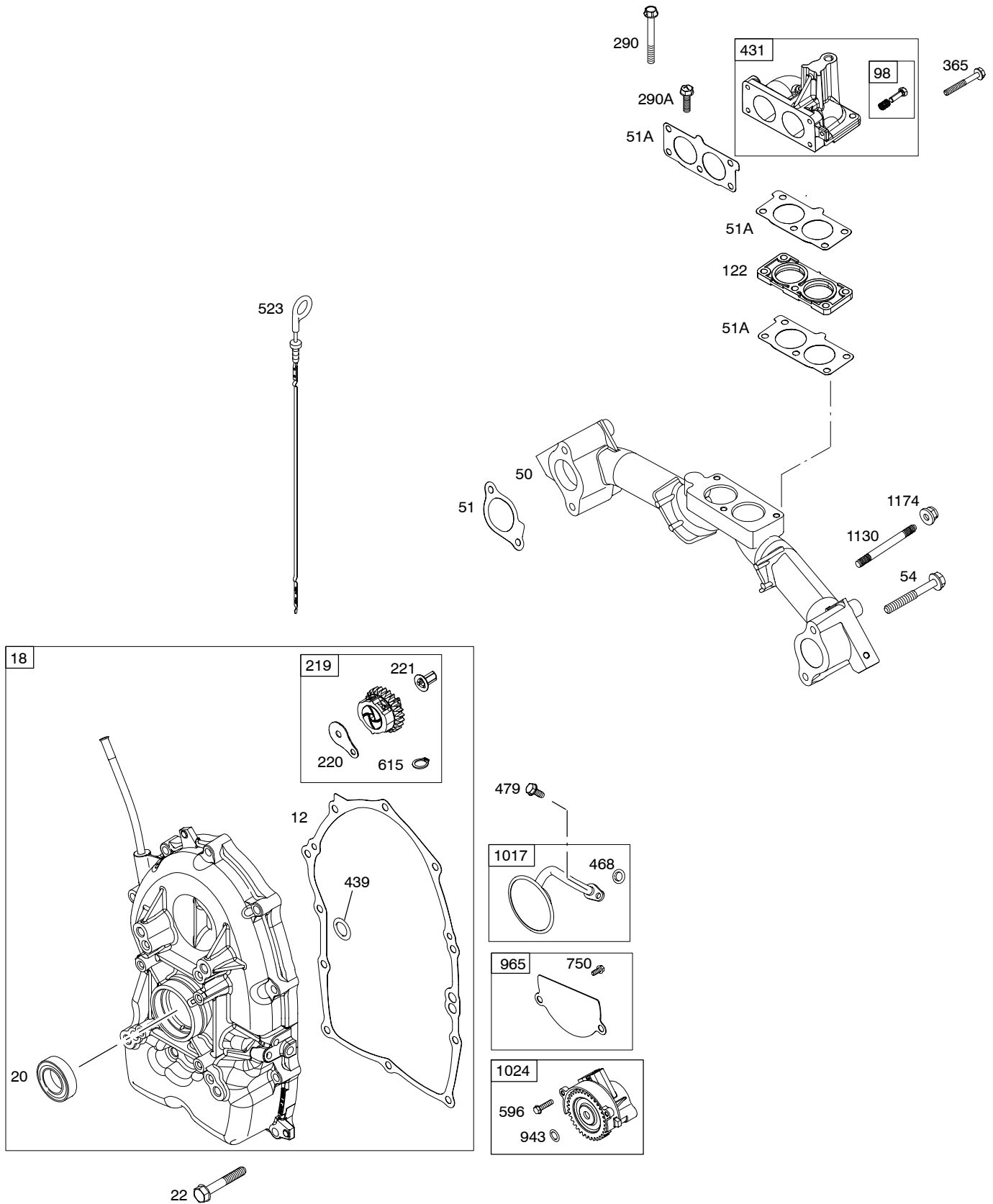
1036 EMISSIONS LABEL



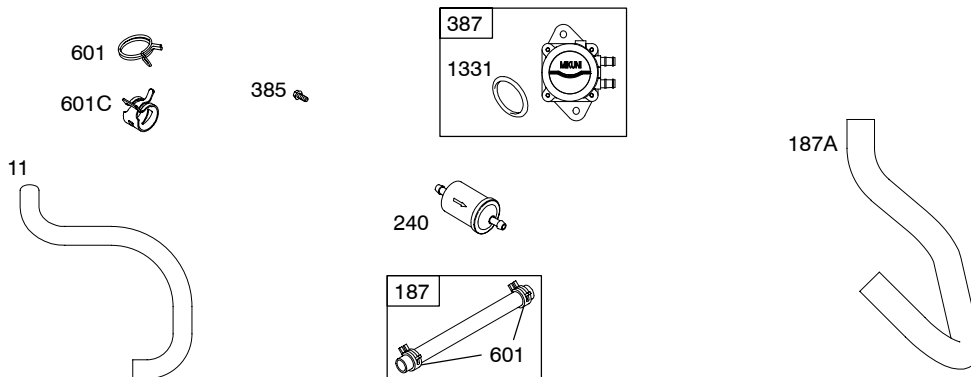
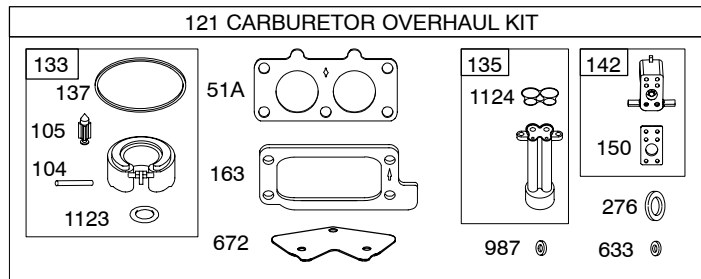
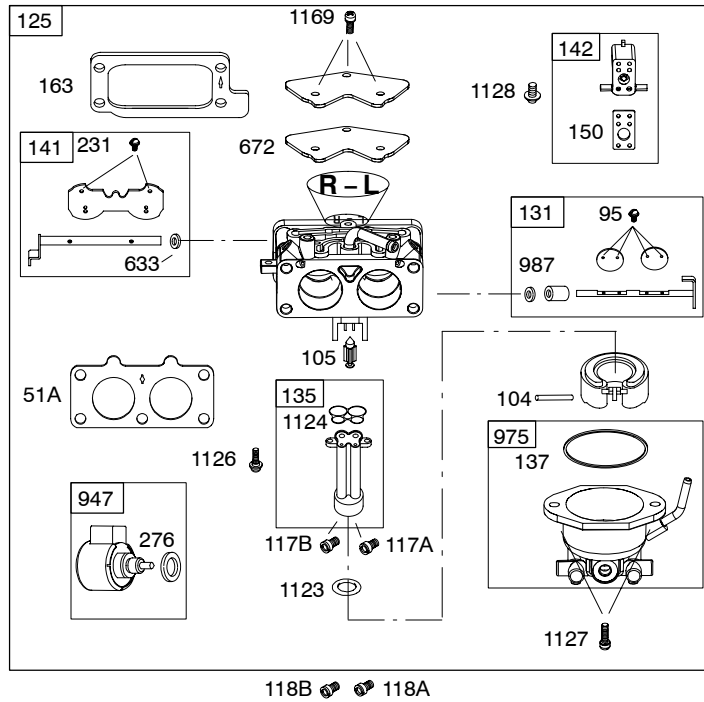
Illustrations cover a range of engines. Parts shown without corresponding text may not be used on your specific engine.
 5570-2 Assemblies include all parts shown in frames. 06/14/2006



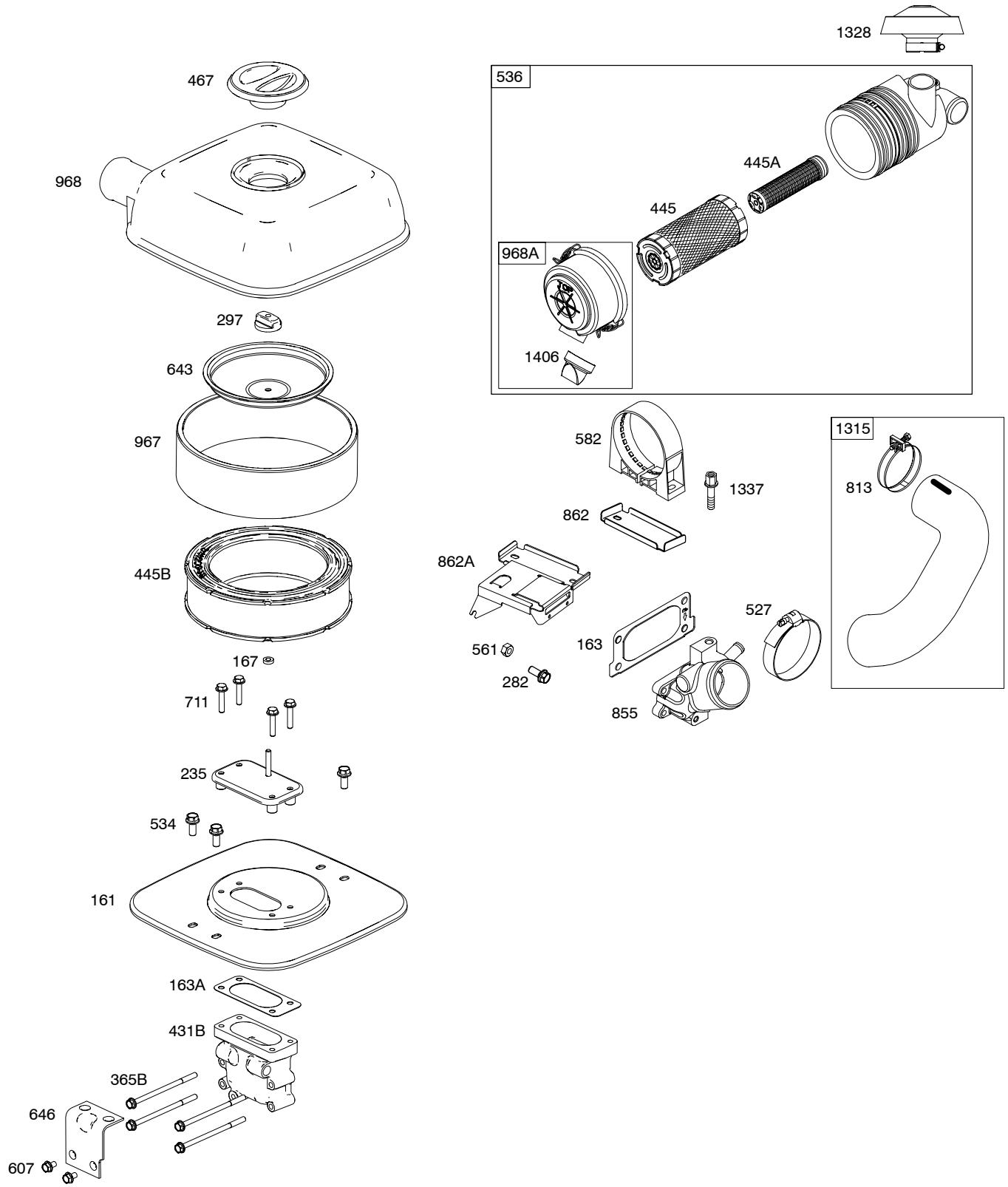
Illustrations cover a range of engines. Parts shown without corresponding text may not be used on your specific engine.
 5570-3 Assemblies include all parts shown in frames. 06/14/2006



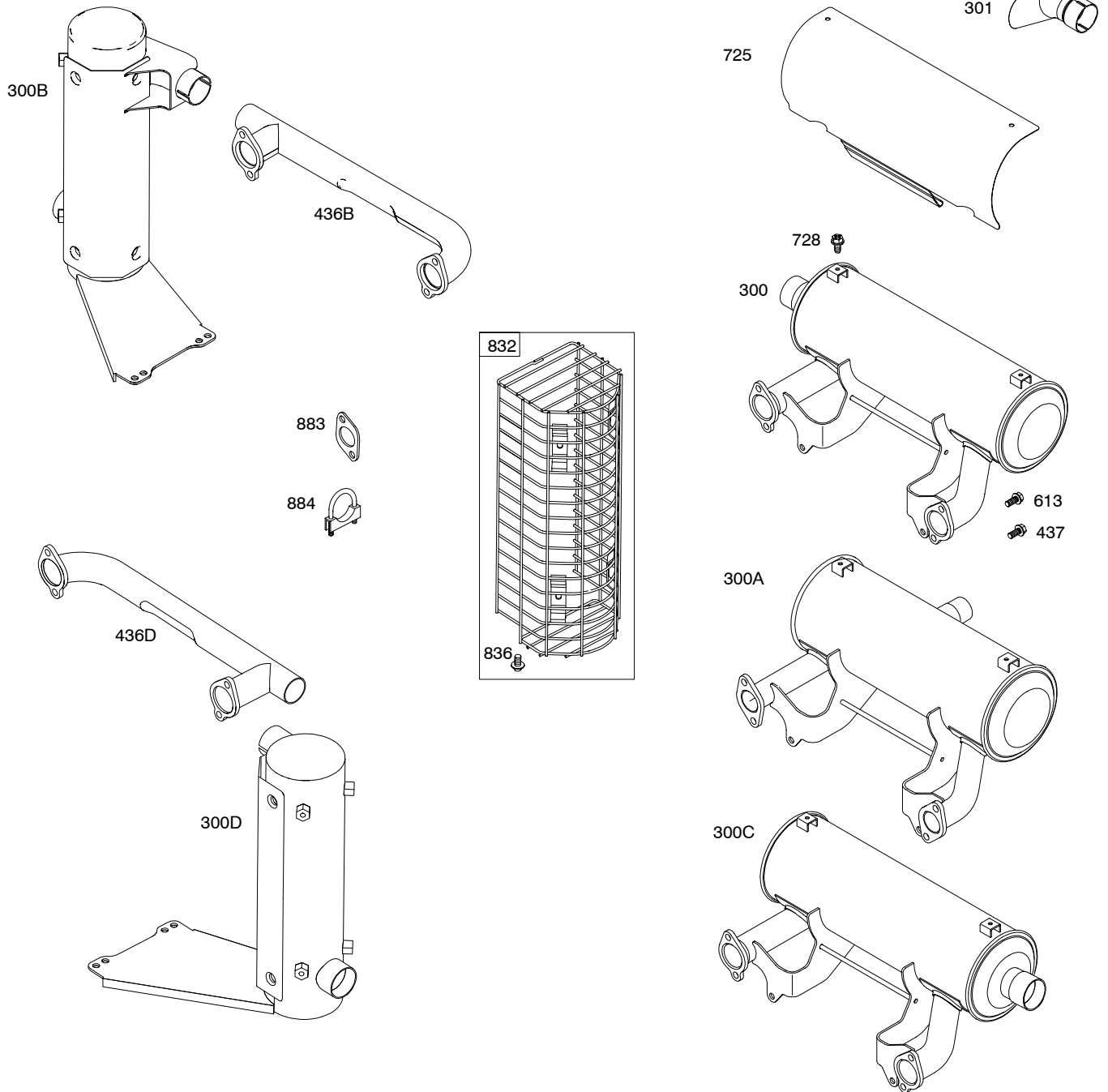
Illustrations cover a range of engines. Parts shown without corresponding text may not be used on your specific engine.
5570-4 Assemblies include all parts shown in frames. **06/14/2006**



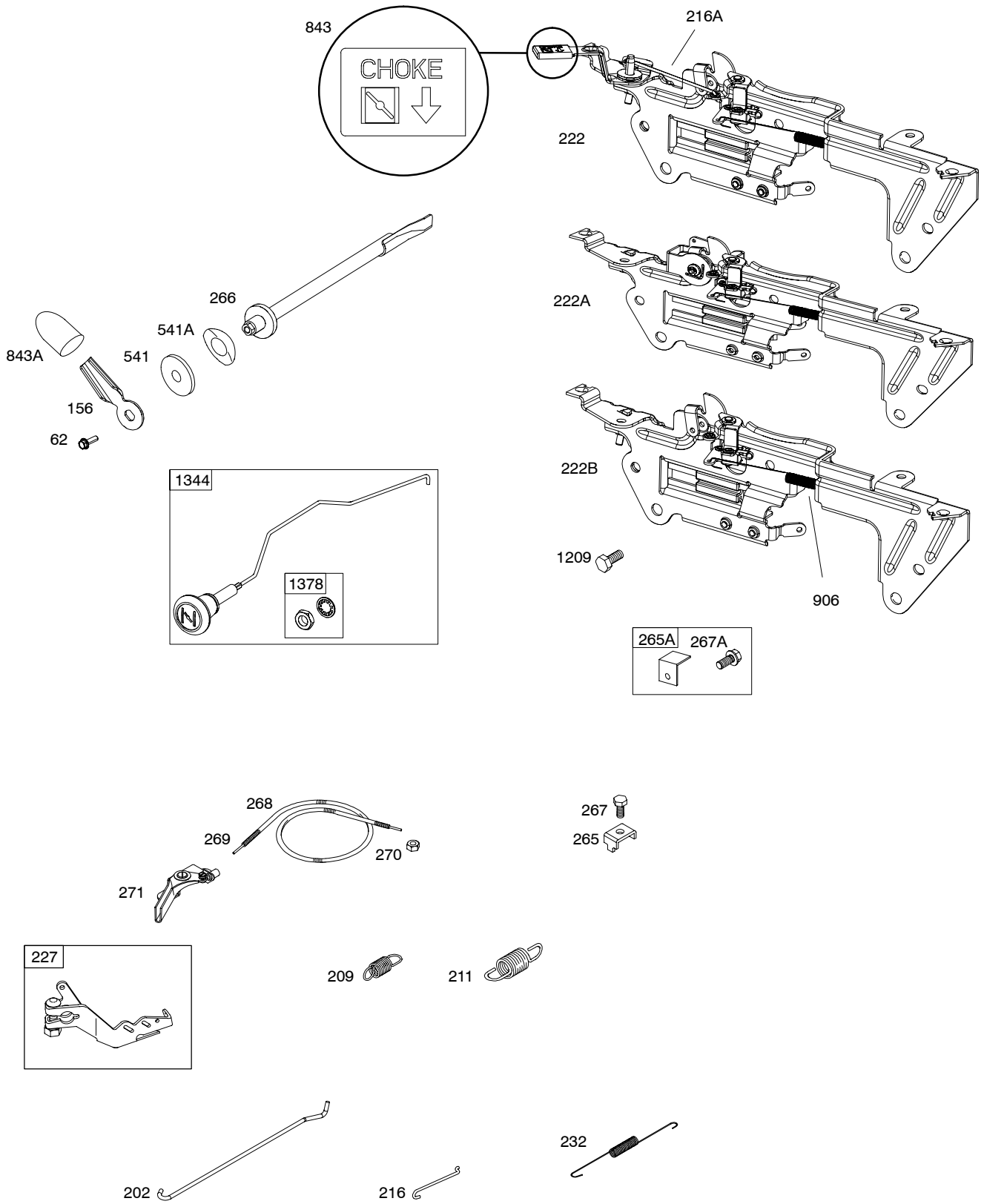
Illustrations cover a range of engines. Parts shown without corresponding text may not be used on your specific engine.
 5570-6 Assemblies include all parts shown in frames. 06/14/2006




Illustrations cover a range of engines. Parts shown without corresponding text may not be used on your specific engine.
 5570-7 Assemblies include all parts shown in frames. 06/14/2006



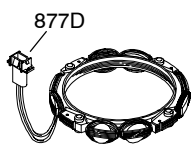
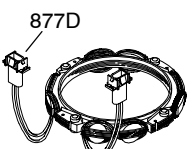

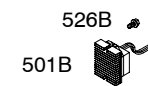
Illustrations cover a range of engines. Parts shown without corresponding text may not be used on your specific engine.
5570-8 Assemblies include all parts shown in frames. 06/14/2006

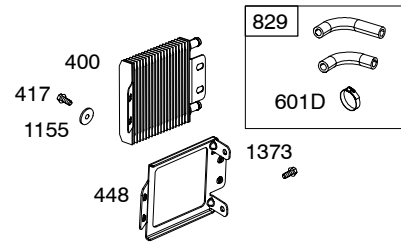
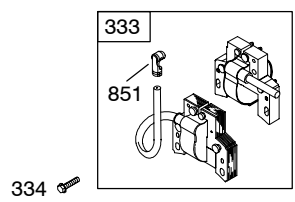
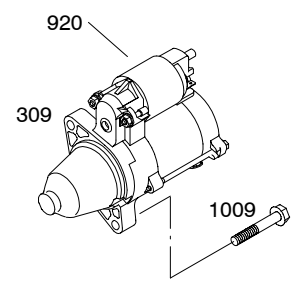
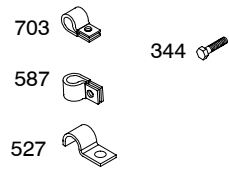
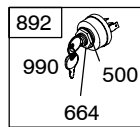
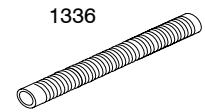
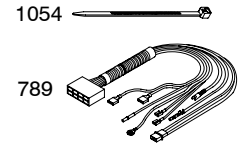
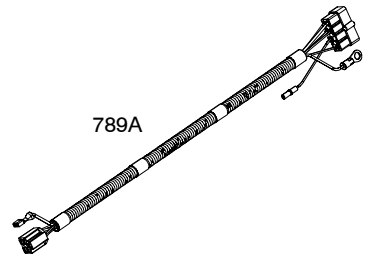


Illustrations cover a range of engines. Parts shown without corresponding text may not be used on your specific engine.
 5570-9 Assemblies include all parts shown in frames. 06/14/2006

NOTE: All stators use a No. 1119 mounting screw. 

NOTE: The proper flywheel part number and/or the alternator magnet size will determine the alternator type or output. See repair instruction manual for additional information.

20 AMP	20/50 AMP
474E	474G
 <p>877D</p>	 <p>877D</p>
 <p>526B 501B</p>	 <p>526B 501B</p>



543400

REF. NO.	PART NO.	DESCRIPTION	REF. NO.	PART NO.	DESCRIPTION	REF. NO.	PART NO.	DESCRIPTION
1	809971	Cylinder Assembly ----- Note ----- 841553 Cylinder Assembly Used on Type No(s). 0144, 0145.	23	841998	Flywheel (Used After Code Date 04083100) ----- Note ----- 809963 Flywheel (Used Before Code Date 04090100) 842707 Flywheel Used on Type No(s). 0144, 0145.	54	807437	Screw (Intake Manifold) (Used Before Code Date 04030100)
3	★841596	Seal-Oil (Magneto Side)	24	222698S	Key-Flywheel	62	841524	Screw (Speed Adjustor Lever)
5	841666	Head-Cylinder (Cylinder 1) (Used After Code Date 04022900) ----- Note ----- 842180 Head-Cylinder (Cylinder 1) (Used Before Code Date 04030100) 841667 Head-Cylinder (Cylinder 2) (Used After Code Date 04022900) 809903 Head-Cylinder (Cylinder 2) (Used Before Code Date 04030100)	25	809790	Piston Assembly ----- Note ----- 841931 Piston Assembly (.020" Oversize)	73	841350	Screen-Rotating (Stub Shaft) ----- Note ----- 841840 Screen-Rotating
7	★Δ809730	Gasket-Cylinder Head	26	809972	Ring Set ----- Note ----- 841932 Ring Set (.020" Oversize)	73A	842248	Screen-Rotating (Stub Shaft) ----- Note ----- 809945 Screen-Rotating
11	809736	Tube-Breather	27	807351	Lock-Piston Pin	74	809947	Screw (Rotating Screen)
12	★809727	Gasket-Crankcase	28	807361	Pin-Piston	75	691056	Washer (Flywheel)
13	809784	Screw (Cylinder Head)	29	809275	Rod-Connecting	75A	842548	Washer (Flywheel)
15	807392	Plug-Oil Drain	32	807363	Screw (Connecting Rod)	95	690718	Screw (Throttle Valve)
16	809982	Crankshaft ----- Note ----- 841513 Crankshaft Used on Type No(s). 0076, 0114, 0115. 841529 Crankshaft Used on Type No(s). 0079, 0116, 0118, 0124, 0129. 841683 Crankshaft Used on Type No(s). 0078, 0126, 0127, 0139.	33	809901	Valve-Exhaust	98	841842	Kit-Idle Speed (Used After Code Date 04040400) ----- Note -----
18	842458	Cover-Crankcase	34	809902	Valve-Intake	104	●690882	Pin-Float Hinge
20	★841596	Seal-Oil(PTO Side)	35	809374	Spring-Valve (Intake)	105	●698537	Valve-Float Needle
21	809895	Cap-Oil Fill	36	809374	Spring-Valve (Exhaust)	117A	842633	Jet-Main (Standard) ----- Note -----
22	807362	Screw (Crankcase Cover/Sump)	40	807492	Retainer-Valve	117B	842634	Jet-Main (Standard) ----- Note ----- 842012 Jet-Main (Standard) Used on Type No(s). 0130, 0137, 0138, 0140, 0141, 0142, 0148.
			45	809785	Tappet-Valve			
			46	809879	Camshaft			
			50	841591	Manifold-Intake (Used After Code Date 04022900) ----- Note ----- 809869 Manifold- Intake (Used Before Code Date 04030100)			
			51	★Δ841592	Gasket-Intake (Used After Code Date 04022900) ----- Note ----- 809871 Gasket-Intake (Used Before Code Date 04030100)			
			51A	●★Δ809910	Gasket-Intake			

★ Included in Engine Gasket Set-Ref. No.358.

● Included in Carburetor Overhaul Kit-Ref. No. 121.

◆ Included in Carburetor Gasket Set-Ref. No. 977.

Δ Included in Valve Gasket Set-Ref. No 1095.

Illustrations cover a range of engines. Parts shown without corresponding text may not be used on your specific engine.

REF. NO.	PART NO.	DESCRIPTION	REF. NO.	PART NO.	DESCRIPTION	REF. NO.	PART NO.	DESCRIPTION
118A	842139	Jet–Main (High Altitude) (5000 Ft.) ----- Note ----- 842627 Jet–Main (High Altitude) (9000 Ft.) 842627 Jet–Main (High Altitude) (5000 Ft.) Used on Type No(s). 0130, 0137, 0138, 0140, 0141, 0142, 0148. 791502 Jet–Main (High Altitude) (9000 Ft.) Used on Type No(s). 0130, 0137, 0138, 0140, 0141, 0142, 0148.	131	841551	Kit–Throttle Shaft	211	809875	Spring–Governed Idle
			133	●841545	Float–Carburetor	215	809728	Guide–Air (Cylinder 1)
			135	●841646	Tube–Fuel Transfer	215A	809737	Guide–Air (Cylinder 2)
			137	●841651	Gasket–Float Bowl	215B	809897	Guide–Air (Cylinder 2)
			141	841549	Kit–Choke Shaft	215C	809738	Guide–Air (Cylinder 1)
			142	●841648	Nozzle–Carburetor (Standard)	215D	809739	Guide–Air (Valley)
			146	691639	Key–Timing	216	809788	Link–Choke
			150	●841649	Gasket–Nozzle	216A	841671	Link–Choke
			156	841522	Lever–Speed Adjuster	219	809426	Gear–Governor
			161	841851	Base–Air Cleaner (Metal)	220	841608	Washer (Governor Gear)
			163	●★807375	Gasket–Air Cleaner	221	841026	Cup–Governor
			163A	841852	Gasket–Air Cleaner	222	841492	Bracket–Control Used on Type No(s). 0076, 0078, 0100, 0110, 0111, 0112, 0113, 0114, 0115, 0119, 0121, 0122, 0127, 0129, 0131, 0132, 0139, 0144.
			167	841855	Seal–Air Cleaner Nut	222A	841527	Bracket–Control Used on Type No(s). 0048, 0065, 0079, 0116, 0118, 0145.
			187	791745	Line–Fuel	222B	841528	Bracket–Control Used on Type No(s). 0120, 0126, 0128, 0130, 0137, 0138, 0140, 0141, 0142, 0146, 0148.
			187A	809921	Line–Fuel	226B	691547	Screw (Regulator)(20 Amp) ----- Note ----- 807385 Screw (Regulator) (20–50 Amp)
			192	807623	Adjuster–Rocker Arm	227	809984	Lever–Governor Control
			197	692539	Screw (Back Plate)	231	690728	Screw (Choke Valve)
			202	841322	Link–Mechanical Governor	232	690545	Spring–Governor Link
			209	809874	Spring–Governor ----- Note ----- 841012 Spring– Governor Used on Type No(s). 0111, 0115, 0131, 0132, 0142, 0144. 841500 Spring– Governor Used on Type No(s). 0113, 0114. 841604 Spring– Governor Used on Type No(s). 0122, 0128, 0129, 0130. 841684 Spring– Governor Used on Type No(s). 0078, 0126, 0127, 0140. 842049 Spring– Governor Used on Type No(s). 0137, 0139.	235	841848	Shield–Fuel Spray
118B	842629	Jet–Main (High Altitude) (5000 Ft.) ----- Note ----- 842585 Jet–Main (High Altitude) (9000 Ft.) 842082 Jet–Main (High Altitude) (5000 Ft.) Used on Type No(s). 0130, 0137, 0138, 0140, 0141, 0142, 0148. 842081 Jet–Main (High Altitude) (9000 Ft.) Used on Type No(s). 0130, 0137, 0138, 0140, 0141, 0142, 0148.						
121	841548	Kit–Carburetor Overhaul						
122	809880	Spacer–Carburetor						
125	841109	Carburetor ----- Note ----- 842080 Carburetor Used on Type No(s). 0130, 0137, 0138, 0140, 0141, 0142, 0148.						

★ Included in Engine Gasket Set–Ref. No.358.

● Included in Carburetor Overhaul Kit–Ref. No. 121.

◆ Included in Carburetor Gasket Set–Ref. No. 977.

△ Included in Valve Gasket Set–Ref. No 1095.

Illustrations cover a range of engines. Parts shown without corresponding text may not be used on your specific engine.

543400

REF. NO.	PART NO.	DESCRIPTION	REF. NO.	PART NO.	DESCRIPTION	REF. NO.	PART NO.	DESCRIPTION
239	841281	Switch–Oil Pressure ----- Note ----- 697049 Switch–Oil Pressure Used on Type No(s). 0114.	304	809959	Housing–Blower ----- Note ----- 841542 Housing–Blower (Oil Cooler)	436B	841681	Manifold–Exhaust (Lo Mount) (Oil Filter Side)
240	691035	Filter–Fuel ----- Note ----- 695666 Filter–Fuel Used on Type No(s). 0114.	309	807383	Motor–Starter (DC)(10–16 AMP)	436D	842263	Manifold–Exhaust (Lo Mount) (Starter Motor Side)
265	691024	Clamp–Casing	332	807356	Nut (Flywheel)	437	809743	Screw (Exhaust Manifold)
265A	841673	Clamp–Casing	332A	842222	Nut (Flywheel)	439	692154	Seal–O Ring (Crankcase Cover/Sump)
266	841521	Control–Throttle	333	841279	Armature–Magneto (Used After Code Date 04083100)	445	841497	Filter–Air Cleaner Cartridge
267	692539	Screw (Casing Clamp)			----- Note ----- 691060 Armature–Magneto (Used Before Code Date 04090100)	445A	821136	Filter–Air Cleaner Cartridge
267A	841672	Screw (Casing Clamp)	334	692066	Screw (Magneto Armature)	445B	692519	Filter–Air Cleaner Cartridge
268	691025	Casing–Control Wire	337	491055S	Plug–Spark ----- Note ----- 792015 Plug–Spark Used on Type No(s). 0146, 0147.	448	841504	Bracket–Oil Cooler ----- Note ----- 842223 Bracket–Oil Cooler Used on Type No(s). 0114.
269	691026	Wire–Control	344	692539	Screw (Cable Clamp)	466	841301	Seal–O Ring (Breather Assembly)
270	691027	Nut (Control Wire Casing)	358	841122	Gasket Set–Engine	467	841846	Knob–Air Cleaner
271	692541	Lever–Control	363	19203	Puller–Flywheel	468	★690690	Seal–O Ring (Oil Pump Screen)
276	809436	Washer–Sealing (Governor Control Lever) ----- Note ----- 841654 Washer–Sealing	365	841853	Screw (Carburetor)	474E	696579	Alternator (20 Amp)
282	841552	Screw (Control Lever)	383	19374	Wrench–Spark Plug	474G	841178	Alternator (20–50 Amp)
290	809911	Screw (Intake Elbow)	385	809876	Screw (Fuel Pump)	479	807084	Screw (Oil Pump Screen)
290A	807421	Screw (Intake Elbow)	387	809669	Pump–Fuel	500	691086	Washer (Key Switch)
297	690939	Nut (Air Filter Retainer)	400	841501	Cooler–Oil ----- Note ----- 808657 Cooler–Oil Used on Type No(s). 0114.	501B	691573	Regulator (20 Amp) ----- Note ----- 841170 Regulator (20–50 Amp)
300	809983	Muffler	415	690283	Plug Used on Type No(s). 0112, 0113, 0124.	506	809957	Screw (Carburetor Cover)
300A	841530	Muffler	417	810074	Screw (Oil Cooler)	523	841007	Dipstick (Standard)
300B	841680	Muffler (Lo Mount) (Oil Filter Side)	431	841539	Elbow–Intake			
300C	841836	Muffler	431B	841854	Elbow–Intake			
300D	842262	Muffler (Lo Mount) (Starter Motor Side)						
301	841518	Pipe–Exhaust						

★ Included in Engine Gasket Set–Ref. No.358.

● Included in Carburetor Overhaul Kit–Ref. No. 121.

◆ Included in Carburetor Gasket Set–Ref. No. 977.

△ Included in Valve Gasket Set–Ref. No 1095.

Illustrations cover a range of engines. Parts shown without corresponding text may not be used on your specific engine.

REF. NO.	PART NO.	DESCRIPTION	REF. NO.	PART NO.	DESCRIPTION	REF. NO.	PART NO.	DESCRIPTION
526B	691547	Screw (Regulator)(20 Amp) ----- Note ----- 807385 Screw (Regulator) (20-50 Amp)	672	●841655	Gasket-Carburetor Plate	890	809987	Bracket-Support
527	690423	Clamp-Tube	691	★809287	Seal-Governor Shaft	890A	841614	Bracket-Support
534	692062	Screw (Air Cleaner)	703	★807116	Clip	892	692318	Switch-Key
536	809670	Cleaner-Air	711	691492	Screw (Carburetor Shield)	906	690707	Spring-Torsion
541	841525	Washer (Speed Adjuster Lever)	718	690959	Pin-Locating ----- Note ----- 841581 Pin-Locating (32 mm)	914	807357	Screw (Rocker Cover)
541A	841526	Washer (Speed Adjuster Lever)	718A	809508	Pin-Locating	920	825418	Solenoid-Starter
561	806447	Nut (Control Lever)	725	841132	Shield-Heat	943	★690681	Seal-O Ring (Oil Pump Cover)
573	809956	Plate-Back	728	692067	Screw (Heat Shield)	947	841546	Solenoid-Fuel
580	★△809894	Seal-O Ring (Oil Fill Cap)	741	809432	Gear-Timing	965	809422	Cover-Oil Pump
582	809878	Clamp-Air Cleaner	750	692539	Screw (Oil Pump Cover)	967	692520	Filter-Pre Cleaner
587	807386	Clamp-Cable	789	809906	Harness-Wiring	968	841847	Cover-Air Cleaner
596	691492	Screw (Oil Pump)	789A	809967	Harness-Wiring	968B	842621	Cover-Air Cleaner
601	841499	Clamp-Hose	798	691492	Screw (Rocker Arm)	975	841650	Bowl-Float
601C	691038	Clamp-Hose	806	692062	Screw (Lifting Bracket)	987	●690722	Seal-Throttle Shaft
601D	841502	Clamp-Hose	813	807376	Clamp	988	841506	Gasket-Oil Adapter
607	692539	Screw (Air Cleaner Brace)	829	841503	Hose-Oil	990	691959	Key Set
613	809743	Screw (Muffler) ----- Note ----- 692062 Screw (Muffler) Used on Type No(s). 0114, 0115.	832	841682	Guard-Muffler	1005	809950	Fan-Flywheel
615	809533	Retainer-Governor Shaft	836	692539	Screw (Muffler Guard)	1006	809999	Retainer-Fan
616	809433	Crank-Governor	843	809672	Sleeve-Lever	1009	690711	Screw (Starter Motor)
633	●690722	Seal-Choke/Throttle Shaft	843A	842745	Sleeve-Lever	1013	809505	Nipple-Oil Filter
635	692076	Boot-Spark Plug	849	691110	Screw (Stub Shaft) Used on Type No(s). 0114, 0115, 0144.	1013A	841602	Nipple-Oil Filter
643	841850	Retainer-Air Filter	851	493880S	Terminal-Spark Plug	1017	809421	Screen-Oil Pump
646	841849	Brace-Air Cleaner	855	841902	Adapter-Air Cleaner	1019	841305	Kit-Label
664	691087	Nut (Key Switch)	862	841886	Strap/Stud-Air Cleaner Mounting	1022	★△809732	Gasket-Rocker Cover
668	841974	Spacer	862B	842730	Strap/Stud-Air Cleaner Mounting	1023	809789	Cover-Rocker
			868	★△691963	Seal-Valve	1023A	809731	Cover-Rocker
			871	692057	Bushing-Valve Guide	1024	841291	Pump-Oil
			877D	698092	Wire/Connector- Alternator	1026	809783	Rod-Push (Aluminum)
			879	809955	Cover-Carburetor	1027	492932S	Filter-Oil (2 1/4" Long)
			883	★△809872	Gasket-Exhaust	1029	807323	Arm-Rocker
			884	841968	Clamp-Muffler	1036		Label-Emissions (Available from an Authorized Briggs & Stratton Service Dealer)

★ Included in Engine Gasket Set-Ref. No.358.

● Included in Carburetor Overhaul Kit-Ref. No. 121.

◆ Included in Carburetor Gasket Set-Ref. No. 977.

△ Included in Valve Gasket Set-Ref. No 1095.

Illustrations cover a range of engines. Parts shown without corresponding text may not be used on your specific engine.

543400

REF. NO.	PART NO.	DESCRIPTION	REF. NO.	PART NO.	DESCRIPTION	REF. NO.	PART NO.	DESCRIPTION
1047	841304	Shaft-Stub Used on Type No(s). 0114, 0115.	1169	841620	Screw (Carburetor Cover Plate)	1335	690939	Nut (Blower Housing) Used on Type No(s). 0112.
1054	807340	Tie-Cable	1174	842067	Nut (Intake Manifold)	1336	841015	Shield-Wire Protective
1058	276349	Operator's Manual			(Used After Code Date 04022900)	1337	807382	Screw Air Cleaner Bracket
1070	807435	Screw (Flywheel Fan)	1209	692539	Screw (Speed Control Panel)	1338	809334	Tray-Oil Drip
1077	809729	Bracket-Lifting	1212	809958	Stud (Blower Housing)	1339	807435	Screw Oil Drip Tray
1095	841123	Gasket Set-Valve	1263	841324	Reed-Breather	1344	841613	Cable-Choke
1100	791959	Pivot-Rocker Arm	1315	809905	Hose-Air Cleaner	1366	841510	Diverter-Oil Cooler
1119	691552	Screw (Alternator)	1328	809907	Cap-A/C Rain	1369	841612	Guard-Flywheel Fan
1123	●841653	Seal-O Ring (Solenoid Retainer)	1331	809934	Seal-O Ring (Fuel Pump)	1370	692539	Screw (Flywheel Fan Guard)
1124	●841647	Seal-O Ring (Fuel Transfer Tube)	1332	806647	Washer (Rotating Screen)	1371	841537	Nut (Flywheel Fan Guard)
1126	841619	Screw (Fuel Transfer Tube)	1334	807435	Screw (Air Guide)	1372	809946	Stud (Rotating Screen)
1127	841621	Screw (Float Bowl)	1334A	841233	Screw (Air Guide)	1373	692539	Screw (Oil Cooler Bracket)
1128	841620	Screw (Carburetor Nozzle)	1334B	692062	Screw (Air Guide)	1375	841550	Cover-Breather Reed
1130	841590	Stud (Intake Manifold) (Used After Code Date 04022900)	1334C	690677	Screw (Air Guide)	1376	806421	Screw (Breather/Reed Cover)
1155	806647	Washer (Oil Cooler)				1378	841615	Washer/Nut Set
						1406	842623	Valve-Debris

★ Included in Engine Gasket Set-Ref. No.358.

● Included in Carburetor Overhaul Kit-Ref. No. 121.

◆ Included in Carburetor Gasket Set-Ref. No. 977.

△ Included in Valve Gasket Set-Ref. No 1095.

Illustrations cover a range of engines. Parts shown without corresponding text may not be used on your specific engine.